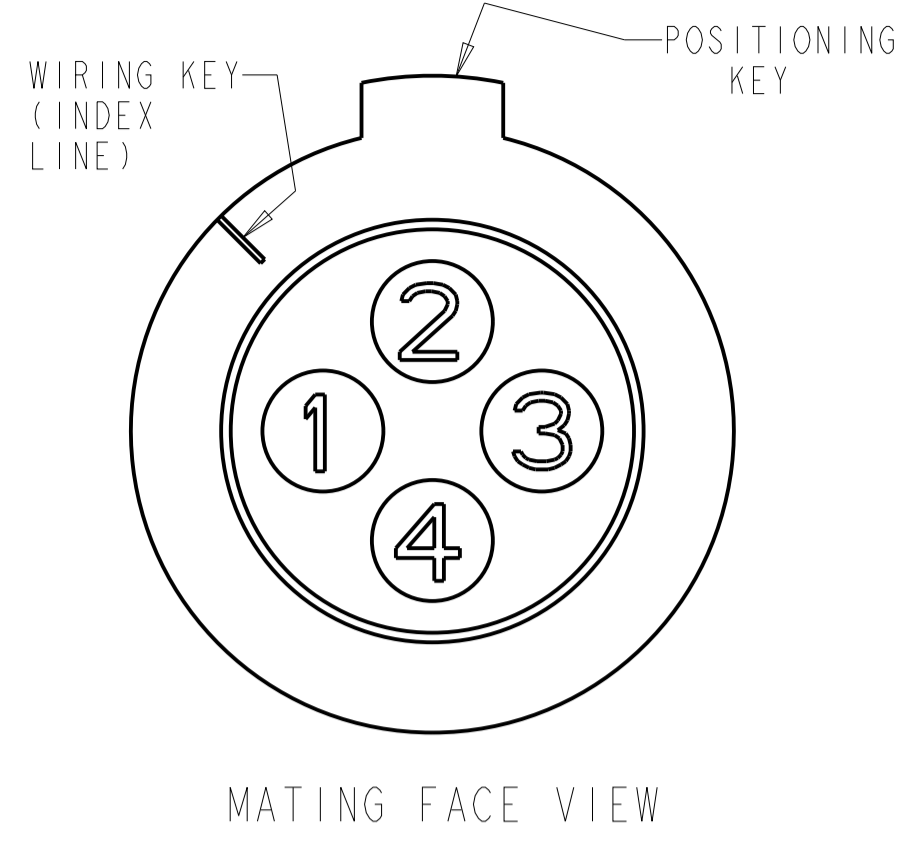
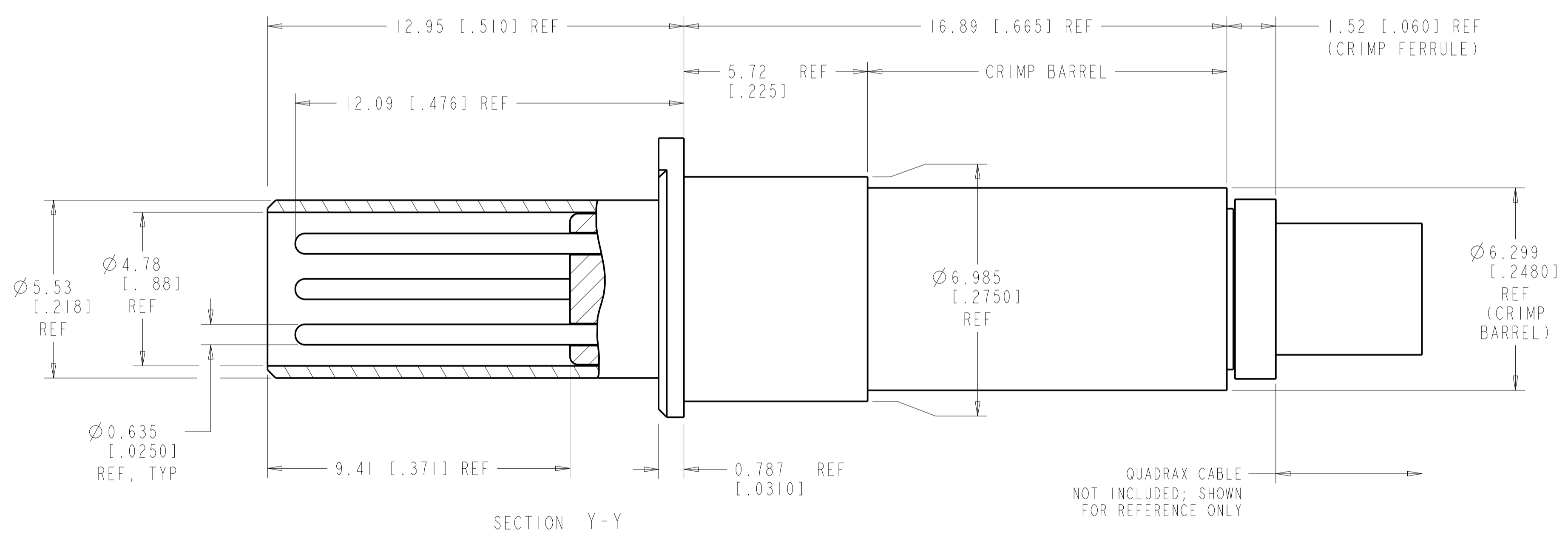
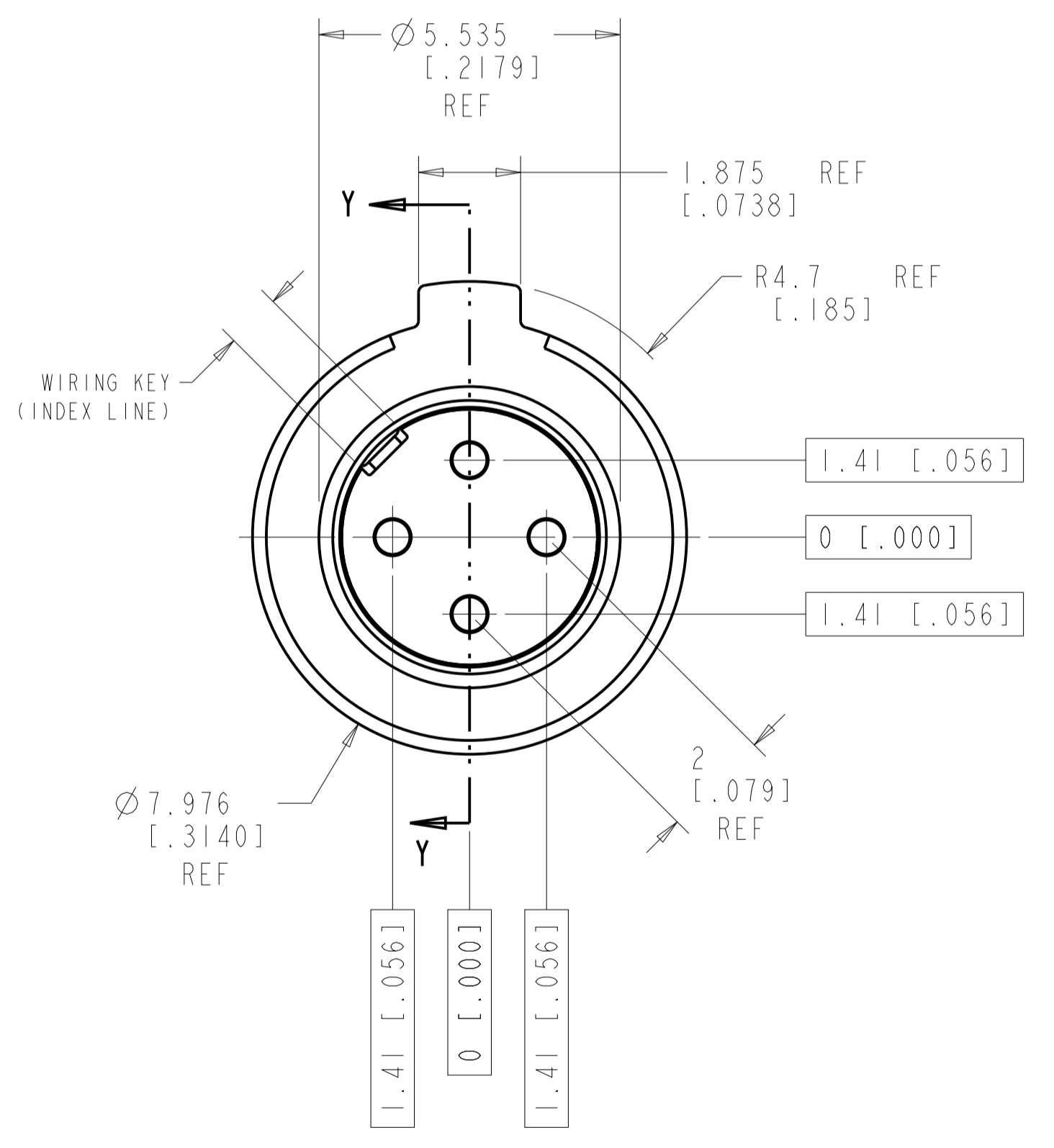
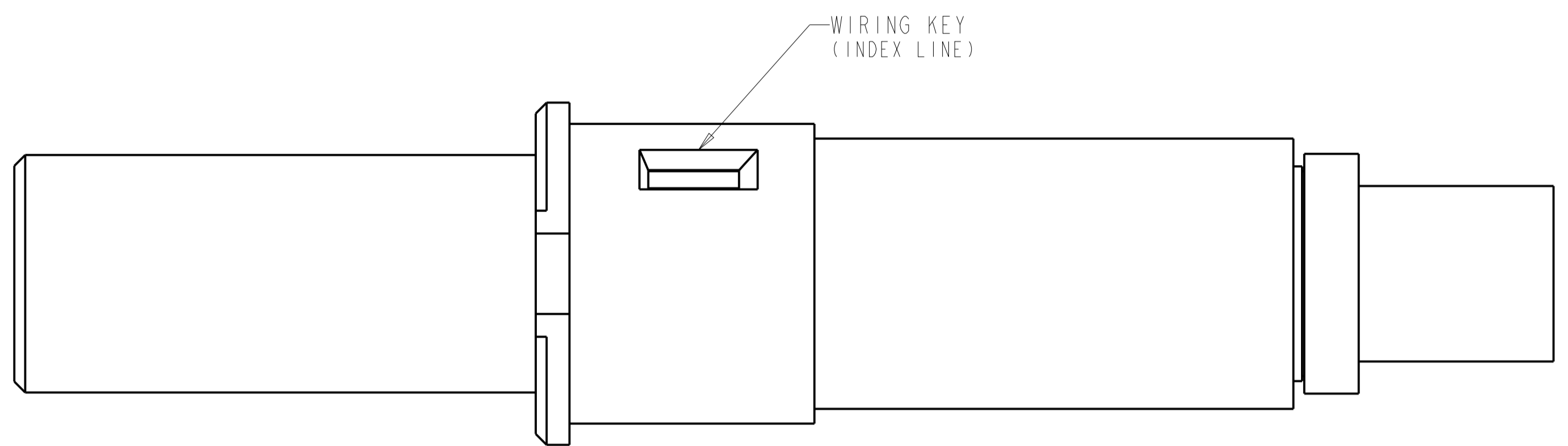
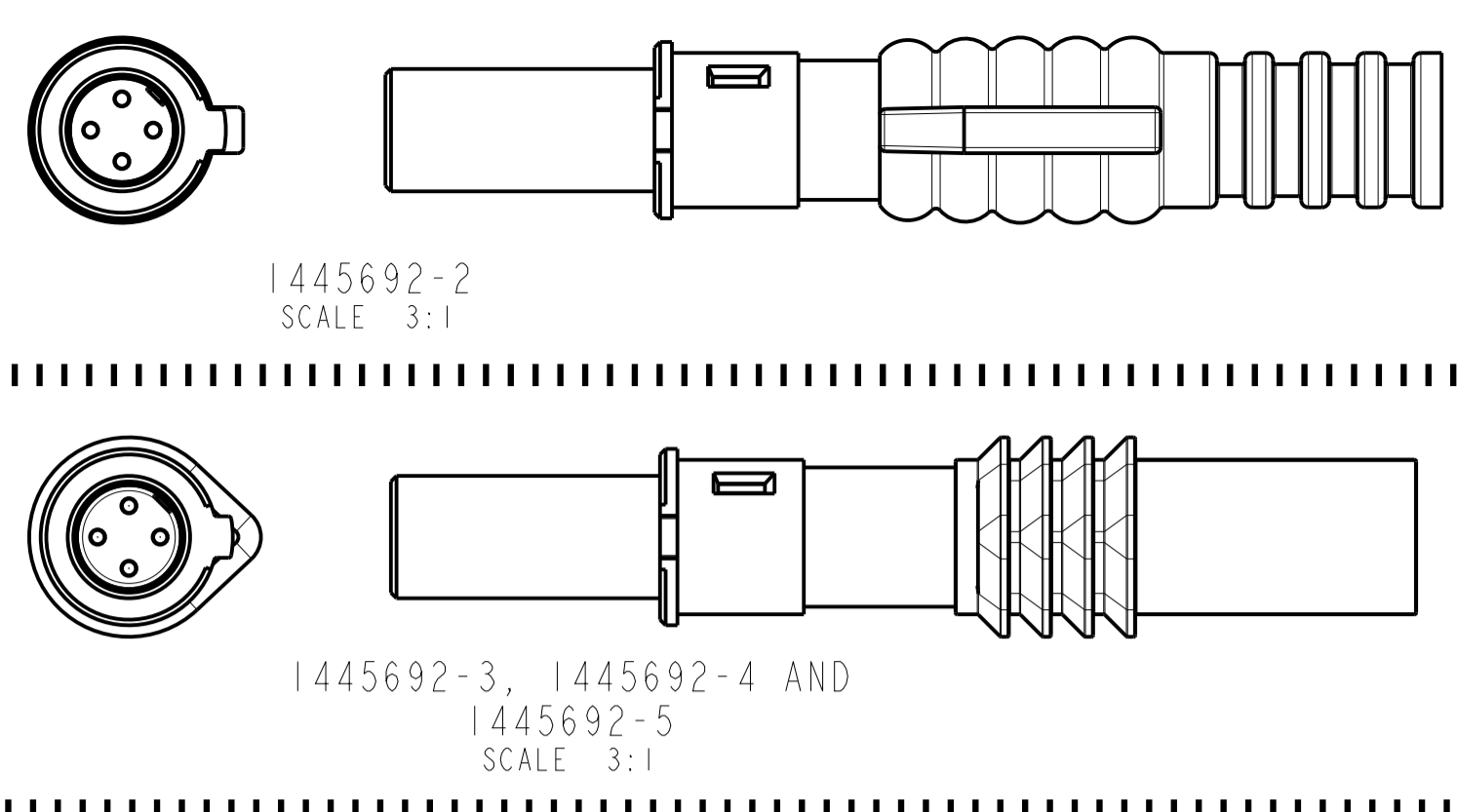


REVISIONS				
P.	LTH	DESCRIPTION	DATE	APVD
H2	REV PER ECO	14-011279	10-7-14	CT DM



CONTACT CAVITY NUMBERING
STANDARD CAVITY NUMBER ASSIGNMENT



QUADRAx CABLE
NOT INCLUDED; SHOWN
FOR REFERENCE ONLY

- COMPONENTS ARE PACKAGED IN KIT FORM. CABLE MUST BE PURCHASED SEPARATELY.
 - ASSEMBLY PER APPLICATION SPECIFICATION 114-13123.
 - USE INSERTION-EXTRACTION TOOL 1738894-1.
- △ TENSOLITE NF24Q100 OR EQUIVALENT
 - △ DRAKA F4704-4 OR EQUIVALENT

△	BACC47GA2	-	SAME AS -4 EXCEPT WITHOUT WIRE SEAL	1445692-8
△	-	-	AS SHOWN WITHOUT WIRE SEAL	1445692-6
△	-	BLUE	AS SHOWN WITH WIRE SEAL	1445692-5
△	BACC47GA1	BLUE	SAME AS -1 EXCEPT WITH WIRE SEAL	1445692-4
△	---	BLUE	SAME AS -1 EXCEPT WITH WIRE SEAL	1445692-3
△	---	RED	SAME AS -1 EXCEPT WITH WIRE SEAL	1445692-2
△	---	--	AS SHOWN; WITHOUT WIRE SEAL	1445692-1
RECOMMENDED CABLE	CUSTOMER PART NUMBER	SEAL COLOR	DESCRIPTION	PART NO.

THIS DRAWING IS A CONTROLLED DOCUMENT.

OWN: Brent D. Lehm
CHK: W.H. BERNHART
APVD: W.H. BERNHART

DATE: 23 JUNE 2004

DATE: 23 JUNE 2004

DATE: 23 JUNE 2004

NAME: ASSEMBLY, PIN, QUADRAx, 2mm SQ, AIRCRAFT DATA NETWORK, RR/RR, WITH PIN CONTACTS

SIZE: A1

CAGE CODE: -

DRAWING NO: 1445692

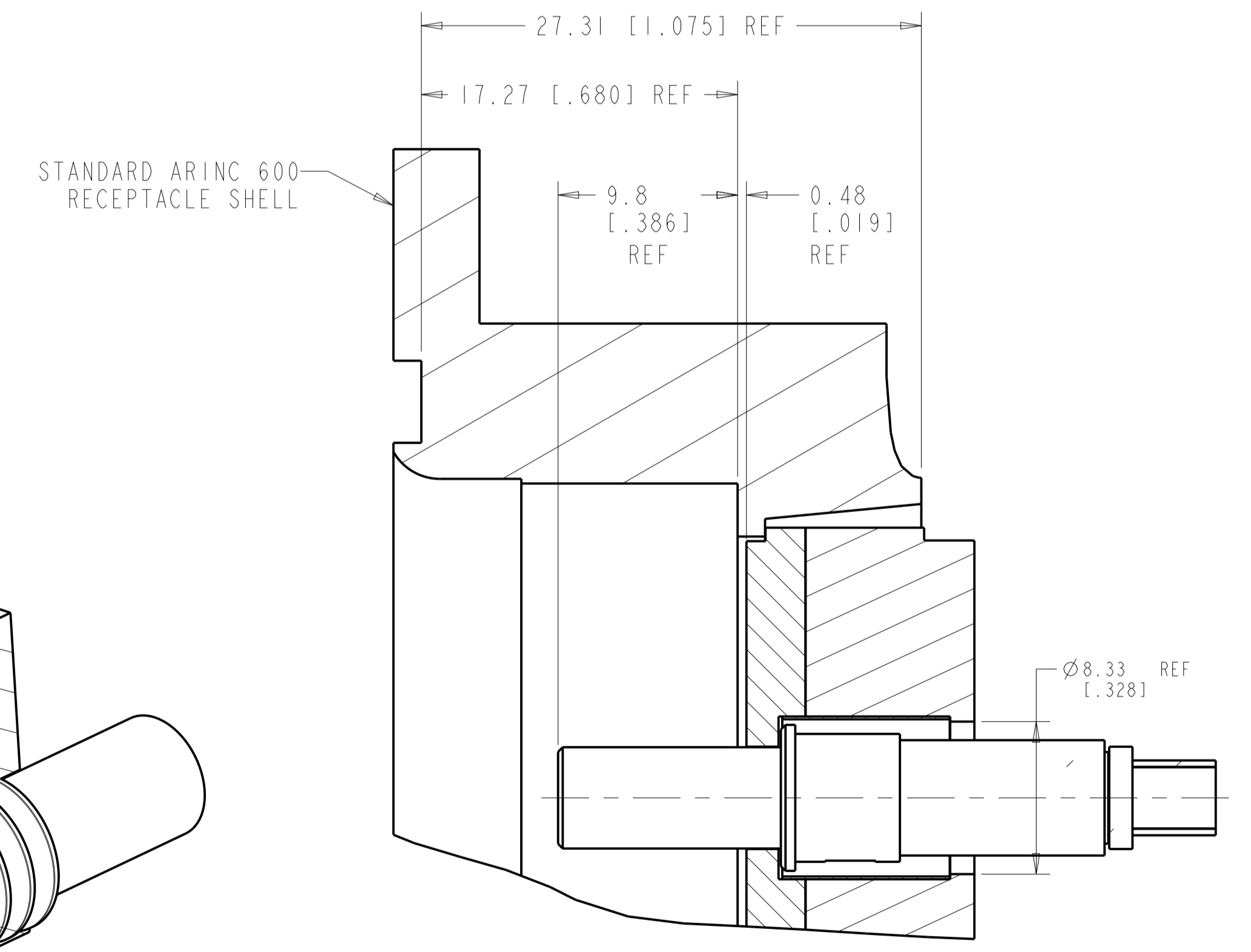
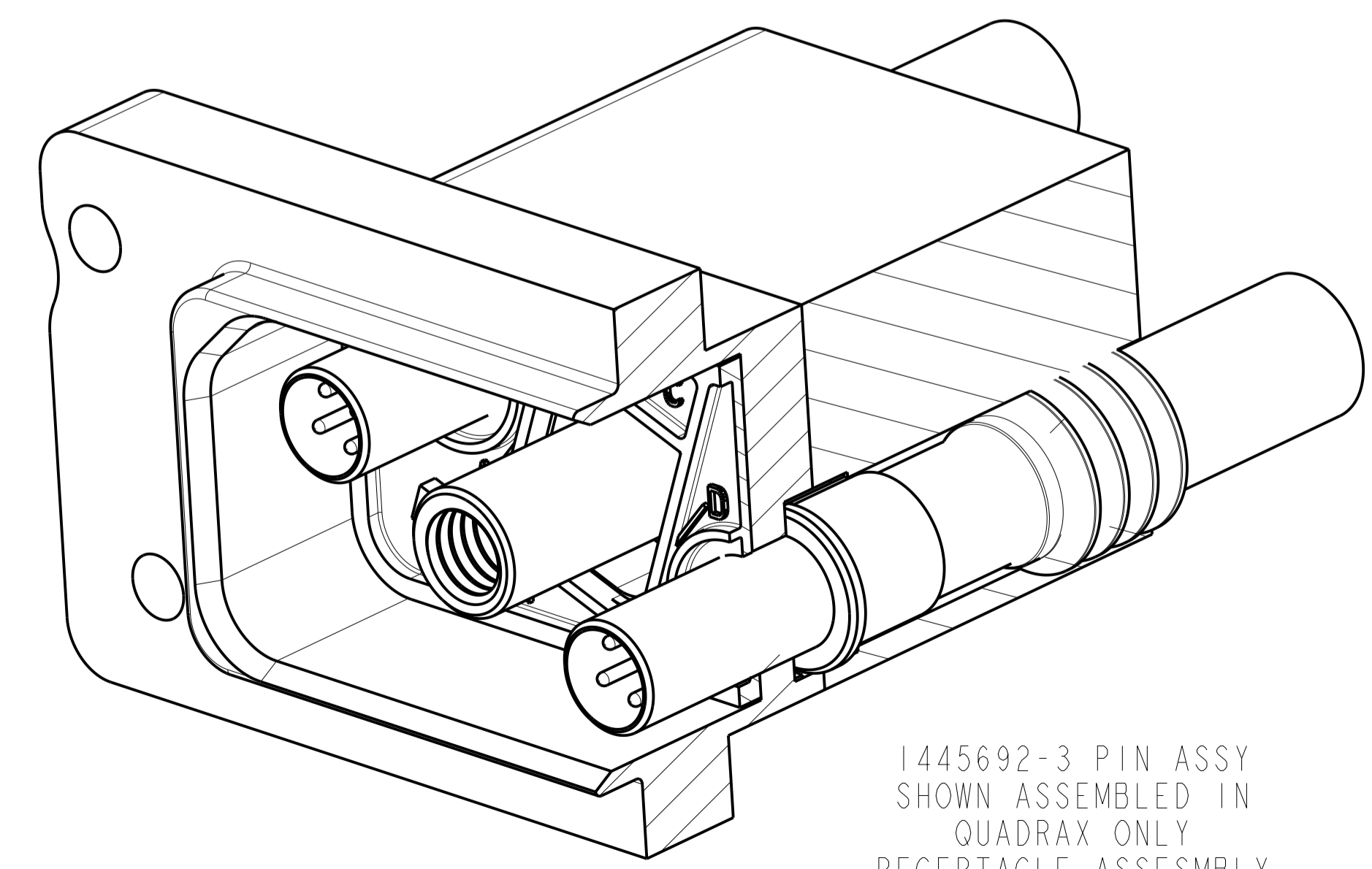
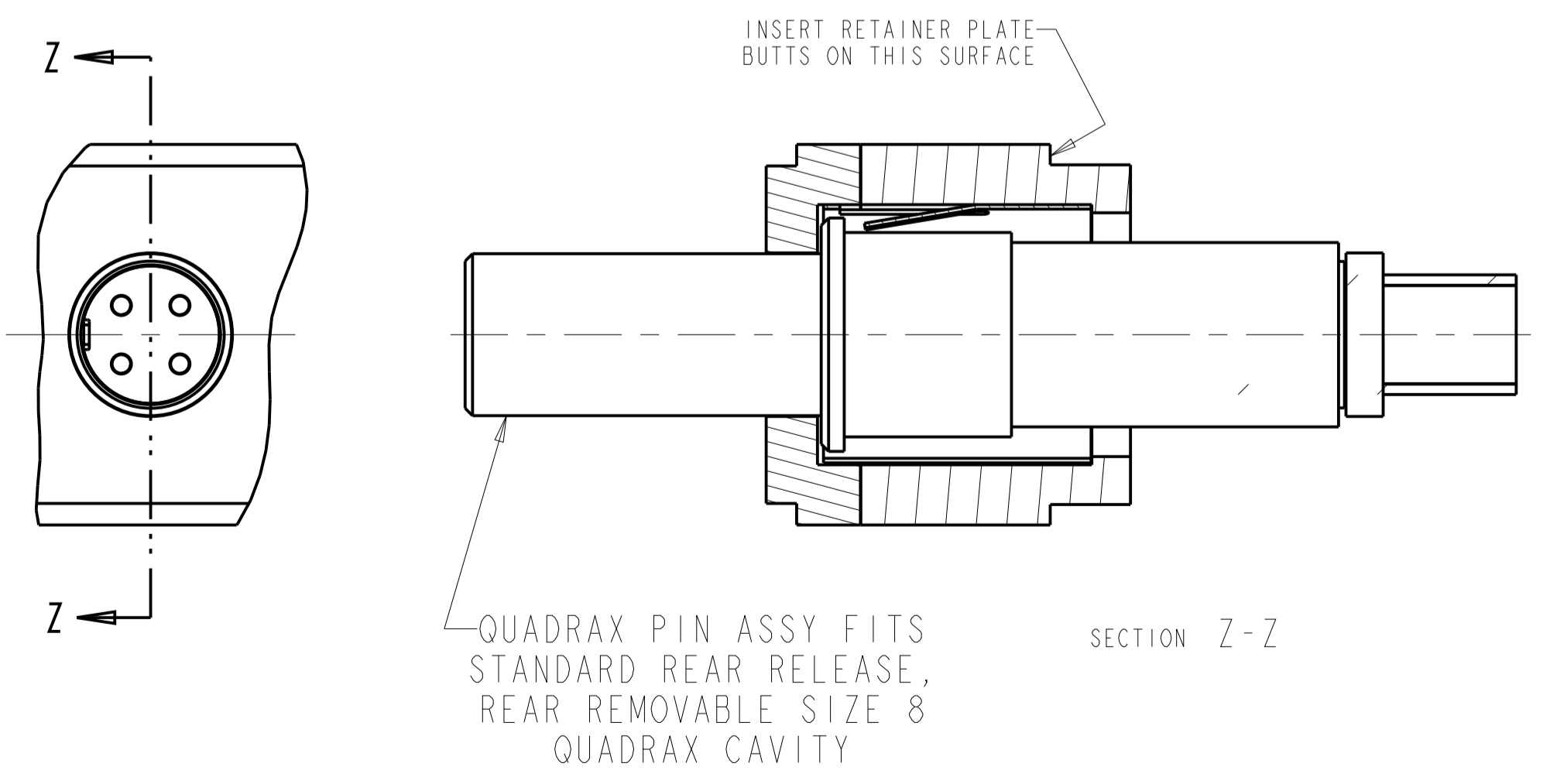
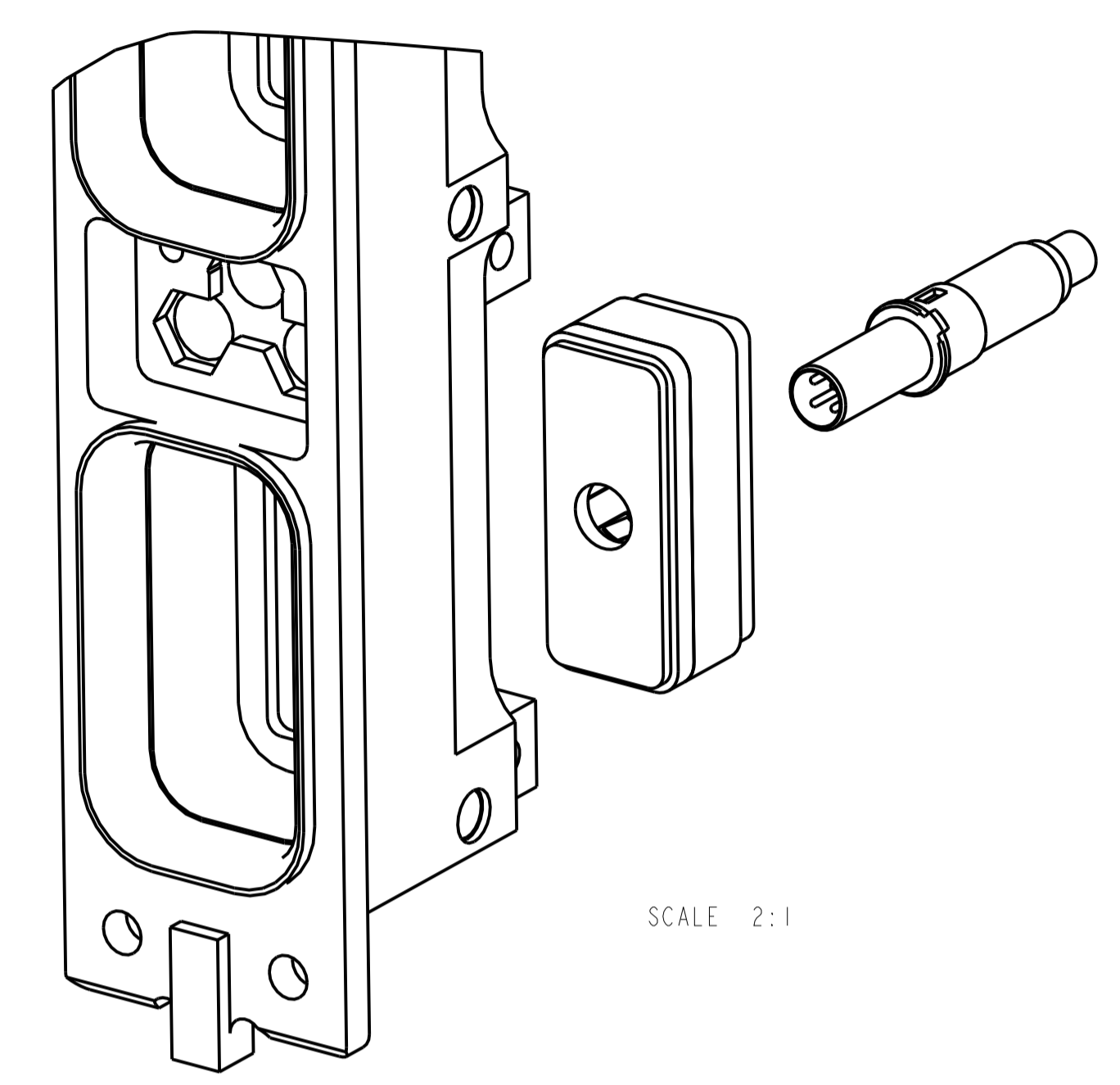
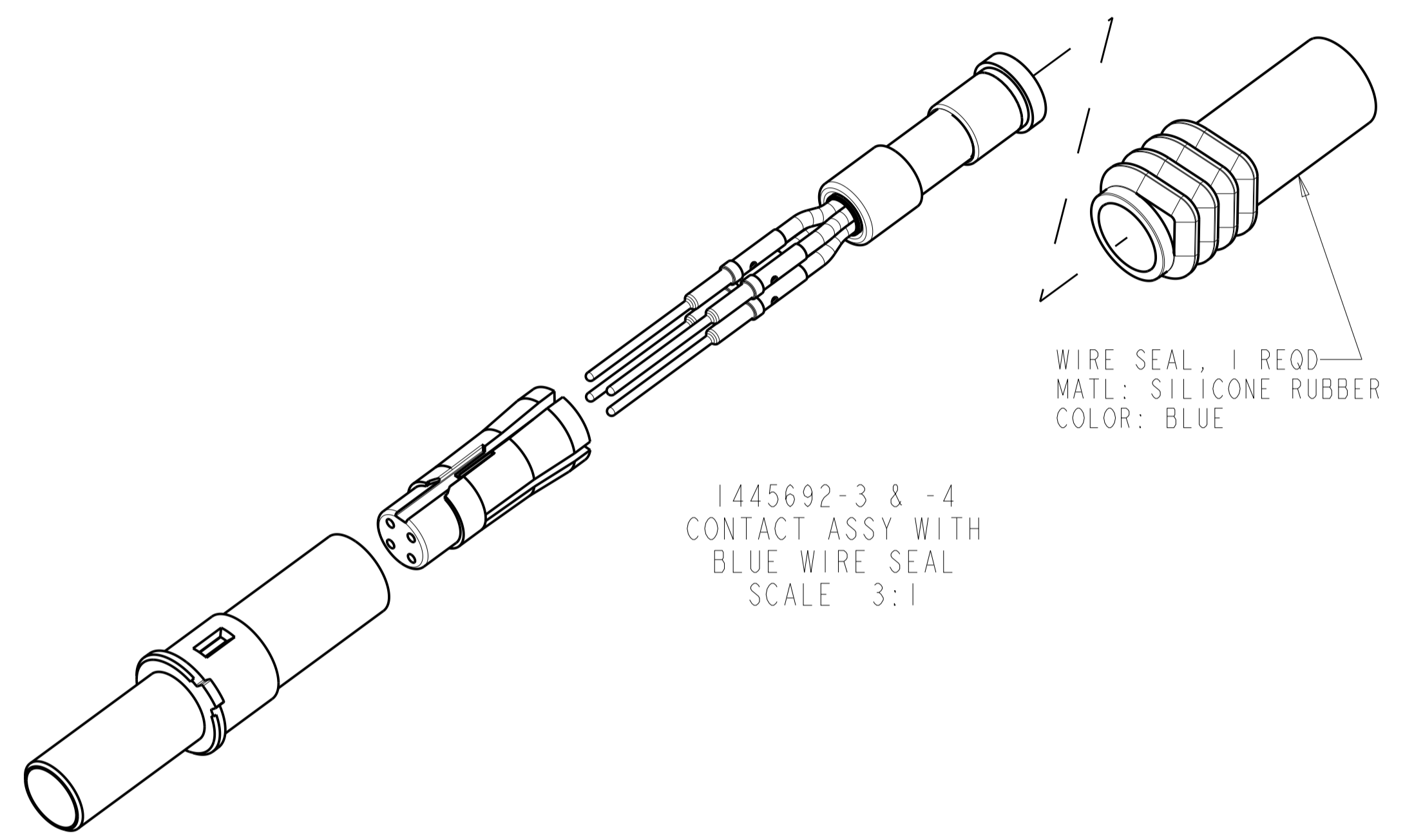
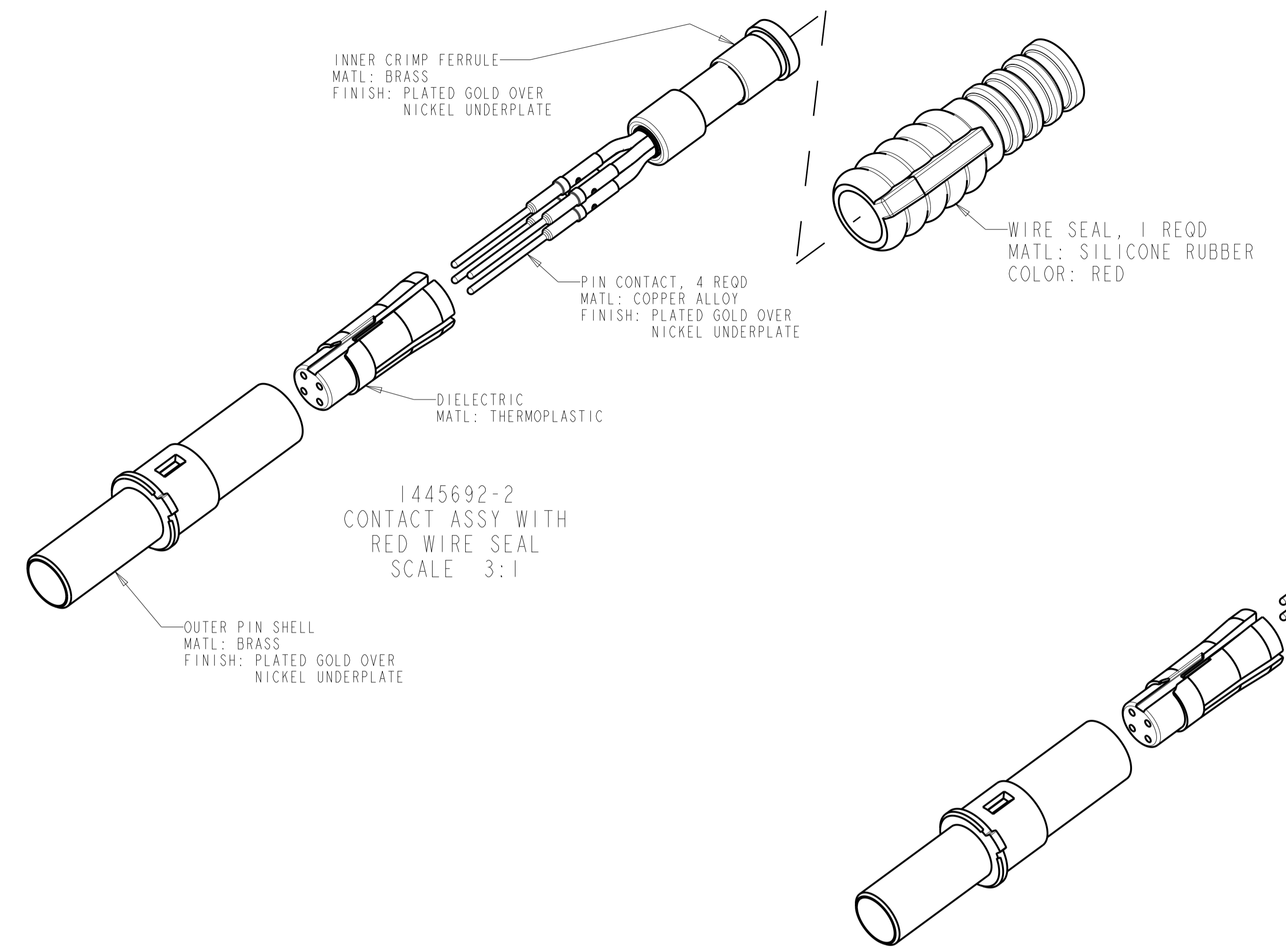
SCALE: 10:1

SHEET: 1 OF 2

REV: H2

TE Connectivity

REVISIONS				
P.	LTN.	DESCRIPTION	DATE	APVD.
-	-	SEE SHEET 1	-	-



QUADRAX PIN ASSY SHOWN INSTALLED IN
STANDARD ARINC 600, SIZE 1 INSERT
WITH REAR RELEASE, REAR REMOVABLE
SIZE 8 QUADRAX CAVITY

THIS DRAWING IS A CONTROLLED DOCUMENT.		OWN: Brent D. John 23 JUNE 2004	TE Connectivity														
DIMENSIONS: mm [INCH]		CHK: W.H. BERNHART 23 JUNE 2004															
TOLERANCES UNLESS OTHERWISE SPECIFIED:		APVD: W.H. BERNHART 23 JUNE 2004	NAME: ASSEMBLY, PIN, QUADRAX, 2mm SO, AIRCRAFT DATA NETWORK, RR/RR, WITH PIN CONTACTS														
<table border="1"> <tr> <td>0 PLC</td><td>±</td></tr> <tr> <td>1 PLC</td><td>± 0.2 [0.008]</td></tr> <tr> <td>2 PLC</td><td>± 0.13 [0.005]</td></tr> <tr> <td>3 PLC</td><td>± 0.051 [0.002]</td></tr> <tr> <td>4 PLC</td><td>±</td></tr> <tr> <td>ANGLES</td><td>±</td></tr> <tr> <td>FINISH</td><td>±</td></tr> </table>		0 PLC	±	1 PLC	± 0.2 [0.008]	2 PLC	± 0.13 [0.005]	3 PLC	± 0.051 [0.002]	4 PLC	±	ANGLES	±	FINISH	±	PRODUCT SPEC:	SIZE: A1
0 PLC	±																
1 PLC	± 0.2 [0.008]																
2 PLC	± 0.13 [0.005]																
3 PLC	± 0.051 [0.002]																
4 PLC	±																
ANGLES	±																
FINISH	±																
MATERIAL:		APPLICATION SPEC:	CAGE CODE: 1445692														
		WEIGHT:	SCALE: 3:1														
		CUSTOMER DRAWING:	SHEET 2 OF 2 REV H2														