



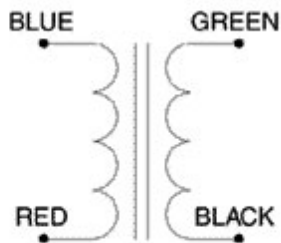
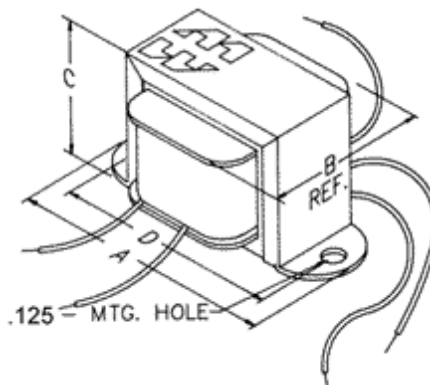
Quality Products. Service Excellence.

Audio Chassis Mount 143-146 Series

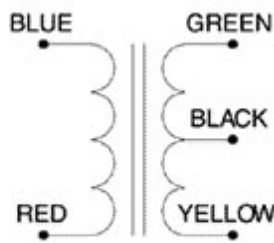
Features



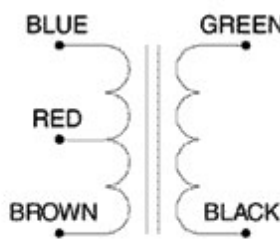
- Small, economical, open, two hole horizontal bracket mount.
- Insulated, color coded flexible leads, 4" long minimum (143, 144 & 145 Series) or 3" long minimum (146 Series).
- For a similar version designed to be PC Board mounted, refer to the 148 and 149 series.
- Frequency response 150 Hz. to 15 KHz. (+/- 1 db, reference 1000 Hz.)
- When operating at impedances below nominal, power capability and the frequency spectrum are proportionately lower; conversely, at higher impedances power capability and frequency spectrum will be proportionately higher.
- Net weight: 0.5 oz. (143, 144, 146 Series) & 1.4 oz. (145 Series).



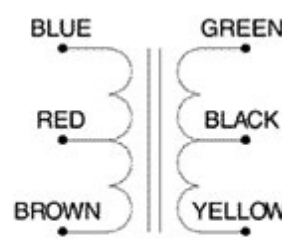
Schematic 1



Schematic 2



Schematic 3



Schematic 4

| Part No. | Applicaton | Nominal Impedance (Ohms) | | Primary D.C. (*1) ma | D.C. Resistance (Ohms) +/- 15% | | Output (mW) | Overall Dimensions | | | | Schematic |
|----------|------------|--------------------------|-----------|----------------------|--------------------------------|-----------|-------------|--------------------|------|------|------|-----------|
| | | Primary | Secondary | | Primary | Secondary | | A | B | C | D | |
| 143B | Input | 3.2 | 4000 | 0 | 0.4 | 245 | 15 | 1.26 | 0.69 | 0.69 | 1.06 | 1 |
| 143D | Input | 200K | 1000 | 0 | 4500 | 30 | 25 | 1.26 | 0.69 | 0.69 | 1.06 | 1 |
| 143H | Driver | 1500 | 500 ct | 4 | 111 | 24 | 30 | 1.26 | 0.69 | 0.69 | 1.06 | 2 |
| 143J | Driver | 3000 | 1000 ct | 2.6 | 265 | 53 | 30 | 1.26 | 0.69 | 0.69 | 1.06 | 2 |
| 143L | Driver | 10000 | 200 ct | 1.5 | 720 | 9 | 30 | 1.26 | 0.69 | 0.69 | 1.06 | 2 |
| 143N | Driver | 10000 | 2000 ct | 1.5 | 720 | 89 | 30 | 1.26 | 0.69 | 0.69 | 1.06 | 2 |

| Part No. | Applicaton | Nominal Impedance (Ohms) | | Primary D.C. (*1) ma | D.C. Resistance (Ohms) +/- 15% | | Output (mW) | Overall Dimensions | | | | Schematic |
|----------|---------------|-----------------------------|-----------|----------------------------|-----------------------------------|-----------|----------------|--------------------|------|------|------|-----------|
| | | Primary | Secondary | | Primary | Secondary | | A | B | C | D | |
| 143R | Driver | 25000 | 600 ct | 1 | 1890 | 25 | 30 | 1.26 | 0.69 | 0.69 | 1.06 | 2 |
| 144B | Output | 200 ct | 3.2 | 10 | 10 | 0 | 150 | 1.26 | 0.69 | 0.69 | 1.06 | 3 |
| 144D | Output | 300 ct | 3.2 | 9 | 15 | 0.33 | 150 | 1.26 | 0.69 | 0.69 | 1.06 | 3 |
| 144F | Output | 500 ct | 3.2 | 6 | 27 | 0.33 | 150 | 1.26 | 0.69 | 0.69 | 1.06 | 3 |
| 144G | Output | 500 ct | 8 | 6 | 27 | 0.9 | 150 | 1.26 | 0.69 | 0.69 | 1.06 | 3 |
| 144H | Output | 500 ct | 50 | 6 | 28 | 7.3 | 150 | 1.26 | 0.69 | 0.69 | 1.06 | 3 |
| 144I | Output | 600 ct | 150 ct | 6 | 45 | 8.2 | 150 | 1.26 | 0.69 | 0.69 | 1.06 | 4 |
| 144P | Output | 10000 | 3.2 | 5 | 575 | 0.5 | 50 | 1.26 | 0.69 | 0.69 | 1.06 | 1 |
| 144Q | Output | 10000 | 8 | 5 | 575 | 0.9 | 50 | 1.26 | 0.69 | 0.69 | 1.06 | 1 |
| 144S | Output | 20000 | 8 | 3.5 | 1240 | 0.9 | 50 | 1.26 | 0.69 | 0.69 | 1.06 | 1 |
| 145A | Driver | 100 | 200 ct | 45 | 14 | 19 | 100 | 1.63 | 0.88 | 0.81 | 1.38 | 2 |
| 145B | Driver-Output | 600 | 600 | 18 | 30 | 38 | 200 | 1.63 | 0.88 | 0.81 | 1.38 | 1 |
| 145C | Input | 50000 | 1500 ct | 1 | 2400 | 52 | 50 | 1.63 | 0.88 | 0.81 | 1.38 | 2 |
| 145D | Input | 200K | 1000 | 0.5 | 3600 | 33 | 10 | 1.63 | 0.88 | 0.81 | 1.38 | 1 |
| 145E | Input-Output | 600 ct | 600 ct | 5 | 65 | 83 | 200 | 1.63 | 0.88 | 0.81 | 1.38 | 4 |
| 145F | Driver | 600 ct | 200 ct | 20 | 45 | 9 | 135 | 1.63 | 0.88 | 0.81 | 1.38 | 4 |
| 145G | Driver | 2000 | 200 ct | 12 | 140 | 9 | 135 | 1.63 | 0.88 | 0.81 | 1.38 | 2 |
| 145H | Driver | 2000 | 500 ct | 12 | 148 | 17 | 135 | 1.63 | 0.88 | 0.81 | 1.38 | 2 |
| 145J | Driver | 4000 | 600 ct | 8 | 340 | 24 | 135 | 1.63 | 0.88 | 0.81 | 1.38 | 2 |
| 145L | Driver | 4000 | 2600 ct | 8 | 340 | 100 | 135 | 1.63 | 0.88 | 0.81 | 1.38 | 2 |
| 145N | Driver | 10000 | 2000 ct | 5 | 700 | 89 | 135 | 1.63 | 0.88 | 0.81 | 1.38 | 2 |
| 145O | Driver | 15000 | 200 ct | 4 | 850 | 10 | 135 | 1.63 | 0.88 | 0.81 | 1.38 | 2 |
| 145P | Driver | 20000 | 1000 ct | 3.5 | 1180 | 50 | 135 | 1.63 | 0.88 | 0.81 | 1.38 | 2 |
| 145R | Driver | 20000 | 2000 ct | 3.5 | 1180 | 89 | 135 | 1.63 | 0.88 | 0.81 | 1.38 | 2 |
| 146B | Output | 48 ct | 3.2 | 20 | 2.4 | 0.3 | 700 | 1.63 | 0.88 | 0.81 | 1.38 | 3 |
| 146C | Output | 48 ct | 8 | 20 | 2.4 | 0.7 | 700 | 1.63 | 0.88 | 0.81 | 1.38 | 3 |
| 146D | Output | 100 ct | 3.2 | 14 | 4.4 | 0.3 | 700 | 1.63 | 0.88 | 0.81 | 1.38 | 3 |
| 146E | Output | 100 ct | 8 | 14 | 4.4 | 0.7 | 700 | 1.63 | 0.88 | 0.81 | 1.38 | 3 |
| 146F | Output | 250 ct | 3.2 | 8 | 11 | 0.3 | 700 | 1.63 | 0.88 | 0.81 | 1.38 | 3 |
| 146G | Output | 250 ct | 8 | 8 | 11 | 0.7 | 700 | 1.63 | 0.88 | 0.81 | 1.38 | 3 |
| 146H | Output | 500 ct | 3.2 | 6 | 26 | 0.3 | 700 | 1.63 | 0.88 | 0.81 | 1.38 | 3 |
| 146I | Output | 500 ct | 8 | 6 | 26 | 0.7 | 700 | 1.63 | 0.88 | 0.81 | 1.38 | 3 |
| 146J | Output | 1000 ct | 3.2 | 4 | 56 | 0.3 | 700 | 1.63 | 0.88 | 0.81 | 1.38 | 3 |
| 146K | Output | 1000 ct | 8 | 4 | 56 | 0.7 | 700 | 1.63 | 0.88 | 0.81 | 1.38 | 3 |
| 146N | Output | 2000 ct | 8 | 3 | 97 | 0.7 | 700 | 1.63 | 0.88 | 0.81 | 1.38 | 3 |
| 146S | Output | 4000 ct | 8 | 2 | 220 | 0.7 | 700 | 1.63 | 0.88 | 0.81 | 1.38 | 3 |

Tags: audio transformer, signal level, chassis mount, open type

Data subject to change without notice

© 2023. Hammond Manufacturing Ltd. All rights reserved.