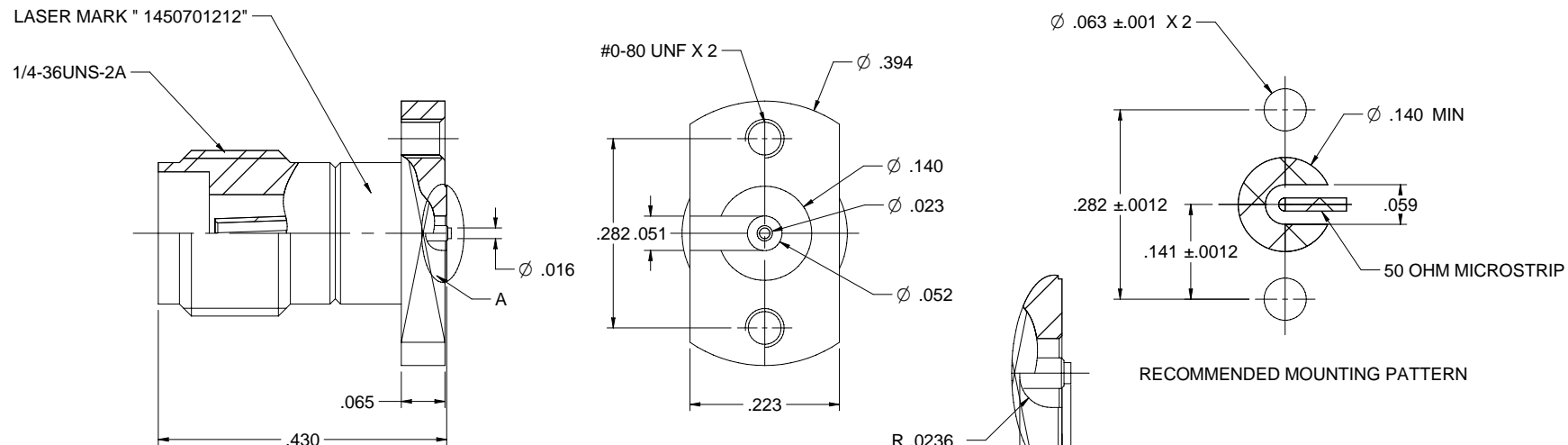


MODEL NO.	PACKAGING
145-0701-212	ONE PCS PER BAG

REV	ECO	DATE
001	ECO-19-002	06/26/2019



1. BOARD THICKNESS: 1.57-2.79mm

NOTES: UNLESS OTHERWISE SPECIFIED

1. MATERIAL & FINISH:

- 1.1 BODY: PASSIVATED STAINLESS STEEL
- 1.2 CONTACT PIN: GOLD PLATED BERYLLIUM COPPER
- 1.3 INSULATOR: PTFE, WHITE
- 1.4 WASHER: STAINLESS STEEL
- 1.5 BOLT: SUS302

2. ELECTRICAL:

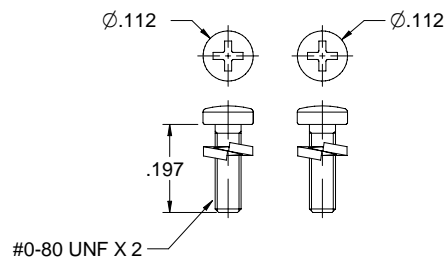
- 2.1 IMPEDANCE: 50 OHMS
- 2.2 FREQUENCY RANGE: DC-40 GHz
- 2.3 VOLTAGE STANDING WAVE RATIO: 1.35 MAX
- 2.4 DIELECTRIC WITHSTANDING VOLTAGE: 750 VRMS MIN
- 2.5 CONTACT RESISTANCE:
 - 2.5.1 CENTER CONTACT: 3 MILLIOHMS MAX
 - 2.5.2 OUTER CONTACT: 2 MILLIOHMS MAX
- 2.6 INSULATOR RESISTANCE: 5000 MEGOHM MIN

3. MECHANICAL:

- 3.1 ENGAGEMENT AND DISENGAGEMENT FORCE: 0.23 MN MAX
- 3.2 CONTACT RETENTION: 22 N MIN
- 3.3 DURABILITY: 500CYCLES MIN

4. ENVIRONMENT:

- 4.1 OPERATING TEMPERATURE: -55 TO 125°C
- 4.2 THERMAL SHOCK: MIL-STD-202, METHOD 107, CONDITION B.
- 4.3 SHOCK: MIL-STD-202, METHOD 213, CONDITION I
- 4.4 VIBRATION: MIL-STD-202, METHOD 204, CONDITION D
- 4.5 MOISTURE RESISTANCE: MIL-STD-202, METHOD 106
- 4.6 SALT SPRAY: MIL-STD-202, METHOD 101, CONDITION B



	Model No. 145-0701-211/220	Johnson
	RoHS2 2011/65/EU	File: JACK, PCB, COMPRESSION MOUNT SIDE GROOVE, 2.52mm (SMA)
	DATE: 06/26/2019	Rev: 001
	DESIGNER: Betty Yu	DRAWING No. 145-0701-211/220
	Scale: C	Sheet 1 of 1