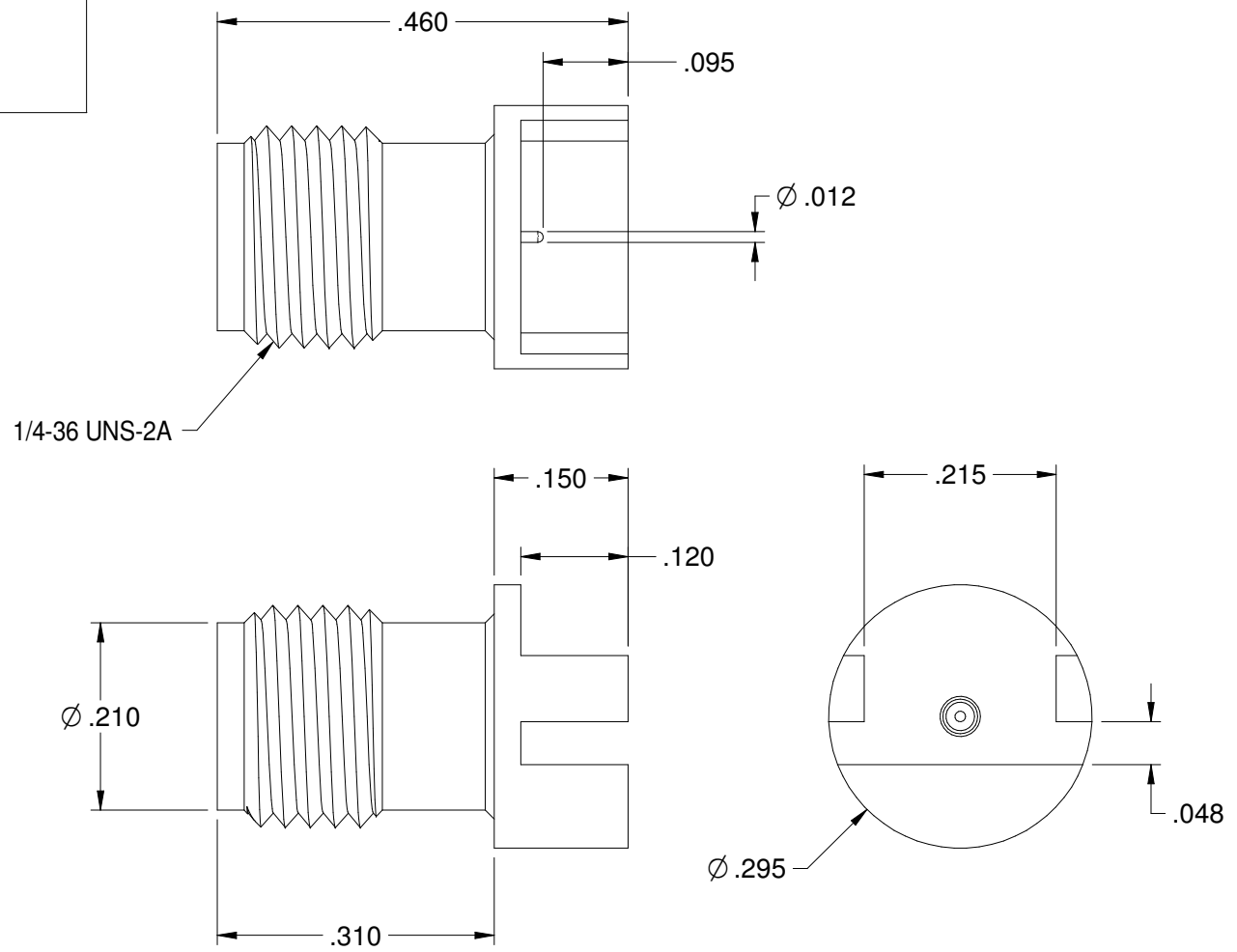
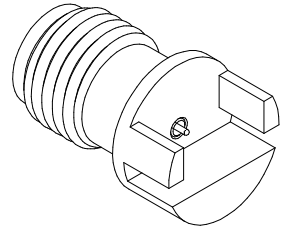


REV	ECO	DATE
1	ECO-19-0008	3/28/2019
1A	ECO-19-0032	7/25/2019

PART NUMBER	ITEM ① BODY	ITEM ② CONTACT	ITEM ③ INSULATOR
145-0701-851	BRASS GOLD PL .00003 MIN OVER NICKEL PL.00005 MIN OVER COPPER	BERYLLIUM COPPER GOLD PL .00005 MIN OVER NICKEL PL.00005 MIN OVER COPPER	TEFLON



SPECIFICATION:

ELECTRICAL:
 IMPEDANCE: 50 OHMS
 FREQUENCY RANGE: 0-40 GHz
 VSWR: 1.5 MAX
 INSERTION LOSS: 0.05 \sqrt{F} dB MAX (F IN GHz)
 WORKING VOLTAGE: 250 VRMS MAX AT SEA LEVEL
 DIELECTRIC WITHSTANDING VOLTAGE: 1000VRMS MIN AT SEA LEVEL
 INSULATION RESISTANCE: 5000 MEGOHM MIN
CONTACT RESISTANCE:
 CENTER CONTACT - INITIAL 3 MILLIOHM MAX, AFTER ENVIRONMENTAL NOT APPLICABLE
 OUTER CONDUCTOR - INITIAL 2 MILLIOHM MAX, AFTER ENVIRONMENTAL NOT APPLICABLE
 RF LEAKAGE: -90dB TYPICAL AT 2.5GHz

MECHANICAL:
 ENGAGEMENT/DISENGAGEMENT FORCE: 2 INCH-POUNDS MAX
 MATING TORQUE: 7 TO 10 INCH-POUNDS
 DURABILITY: 500 CYCLES MIN

ENVIRONMENTAL:
 OPERATING TEMPERATUR: -40 TO 85°C
 THERMAL SHOCK: MIL-STD-202, METHOD 107, CONDITION B
 CORROSION: MIL-STD-202, METHOD 101, CONDITION B
 SHOCK: MIL-STD-202, METHOD 213, CONDITION I
 VIBRATION: MIL-STD-202, METHOD 204, CONDITION D
 MOISTURE RESISTANCE: MIL-STD-202, MEHTOD 106

	Material:	Model No. 145-0701-851	JOHNSON	
	SEE NOTE	RoHS2 <input checked="" type="checkbox"/> 2011/65/EU	Cage Code	Title: 2.92mm END LAUNCH JACK FOR .042" BOARD
<small>The PROPRIETARY Document is property of Cinch Connectivity Solutions. No reproduction, modification, distribution, or disclosure of this document is permitted without the prior written permission of Cinch Connectivity Solutions.</small> <small>INTERPRET DRAWINGS IN ACCORDANCE WITH ASME Y14.5-2009</small>	Finish: .XX ±.01 .XXX ±.003 .XXXX ±.0010 ANGLES ±1°00'	UNLESS OTHERWISE SPECIFIED	3RD ANGLE PROJECTION	Drawing No. 145-0701-851
	SEE NOTE	Drawn By: R.SHEN	Date: 3/20/2019	Rev. 1A
Workmanship Size			Size B	DO NOT SCALE DRAWING
				Sheet 1 of 1