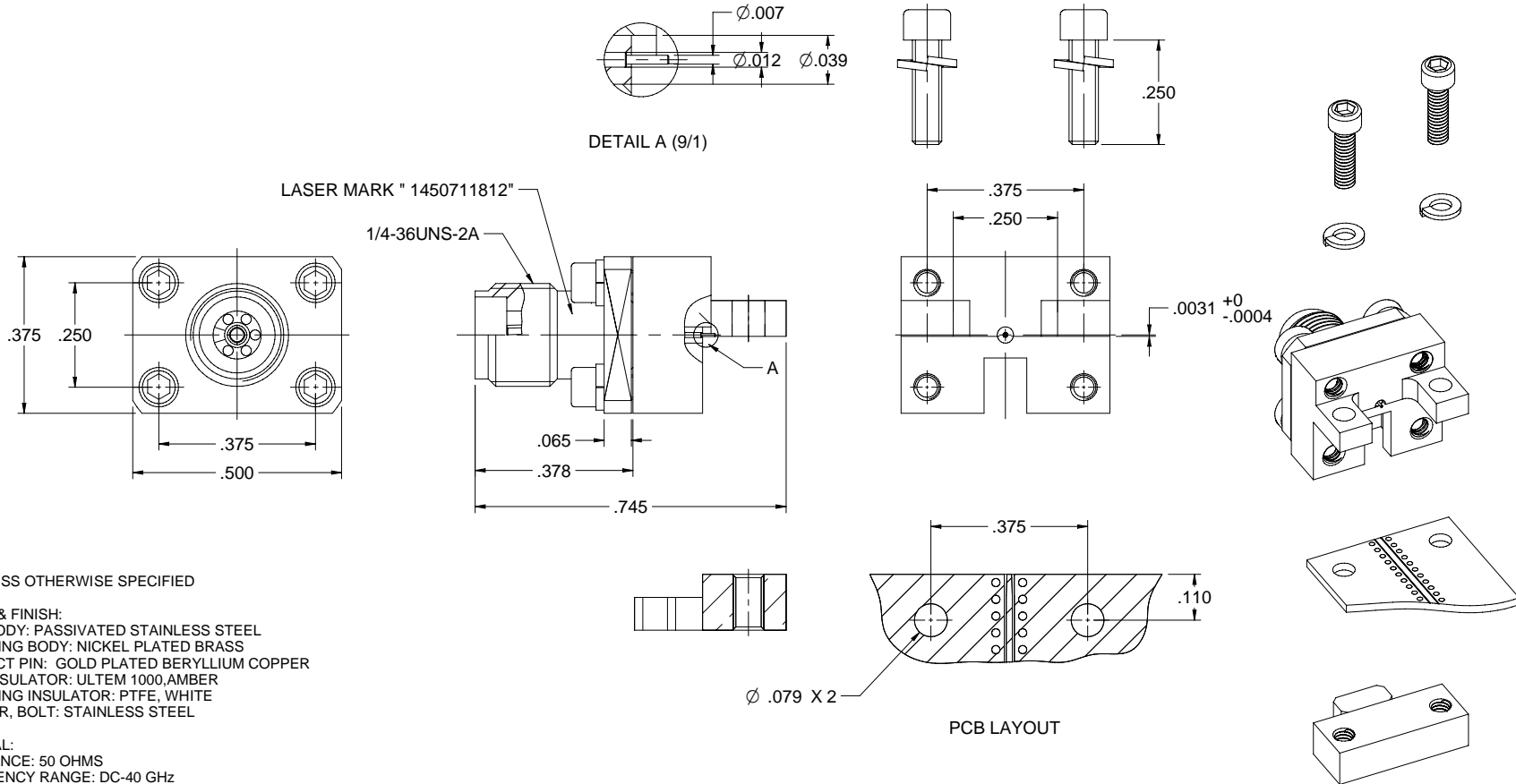


MODEL NO.	PACKAGING
145-0711-812	ONE PCS PER BAG

REV	ECO	DATE
001	ECO-19-0024	07/05/2019



NOTES: UNLESS OTHERWISE SPECIFIED

1. MATERIAL & FINISH:

- 1.1 MAIN BODY: PASSIVATED STAINLESS STEEL
- 1.2 MOUNTING BODY: NICKEL PLATED BRASS
- 1.3 CONTACT PIN: GOLD PLATED BERYLLIUM COPPER
- 1.4 MAIN INSULATOR: ULTEM 1000, AMBER
- 1.5 MOUNTING INSULATOR: PTFE, WHITE
- 1.6 WASHER, BOLT: STAINLESS STEEL

2. ELECTRICAL:

- 2.1 IMPEDANCE: 50 OHMS
- 2.2 FREQUENCY RANGE: DC-40 GHz
- 2.3 VOLTAGE STANDING WAVE RATIO: 1.2 MAX
- 2.4 DIELECTRIC WITHSTANDING VOLTAGE: 750 VRMS MIN
- 2.5 CONTACT RESISTANCE:
 - 2.5.1 CENTER CONTACT: 3 MILLIOHMS MAX
 - 2.5.2 OUTER CONTACT: 2 MILLIOHMS MAX

3. MECHANICAL:

- 3.1 DURABILITY: 500CYCLES MIN

4. ENVIRONMENT:

- 4.1 OPERATING TEMPERATURE: -55 TO 125°C
- 4.2 THERMAL SHOCK: MIL-STD-202, METHOD 107, CONDITION B.
- 4.3 SHOCK: MIL-STD-202, METHOD 213, CONDITION I
- 4.4 VIBRATION: MIL-STD-202, METHOD 204, CONDITION D
- 4.5 MOISTURE RESISTANCE: MIL-STD-202, METHOD 106
- 4.6 SALT SPRAY: MIL-STD-202, METHOD 101, CONDITION B

	Model No. 145-0711-811/820	Johnson	
	201185EU	Title: END LAUNCH JACK SCREW-ON TYPE LOW PROFILE 2.92mm(SMK), 0.007" PIN	
<small>ROHS2</small> <small>RECYCLED PAPER</small> <small>NO PHOSPHOR</small>	Date: 07/05/2019	<small>NON-MATERIAL MODIFICATION</small> Drawing No. 145-0711-811/820 Rev. 001	Size: C DO NOT SCALE DRAWING NONE
<small>ASSIGNED DRAWING BY: [signature]</small> <small>DATE: 07/05/2019</small>	XXXX-02 XXXX-01 ANGLES: 45°	Drawn By: Betty Yu	Sheet 1 of 1