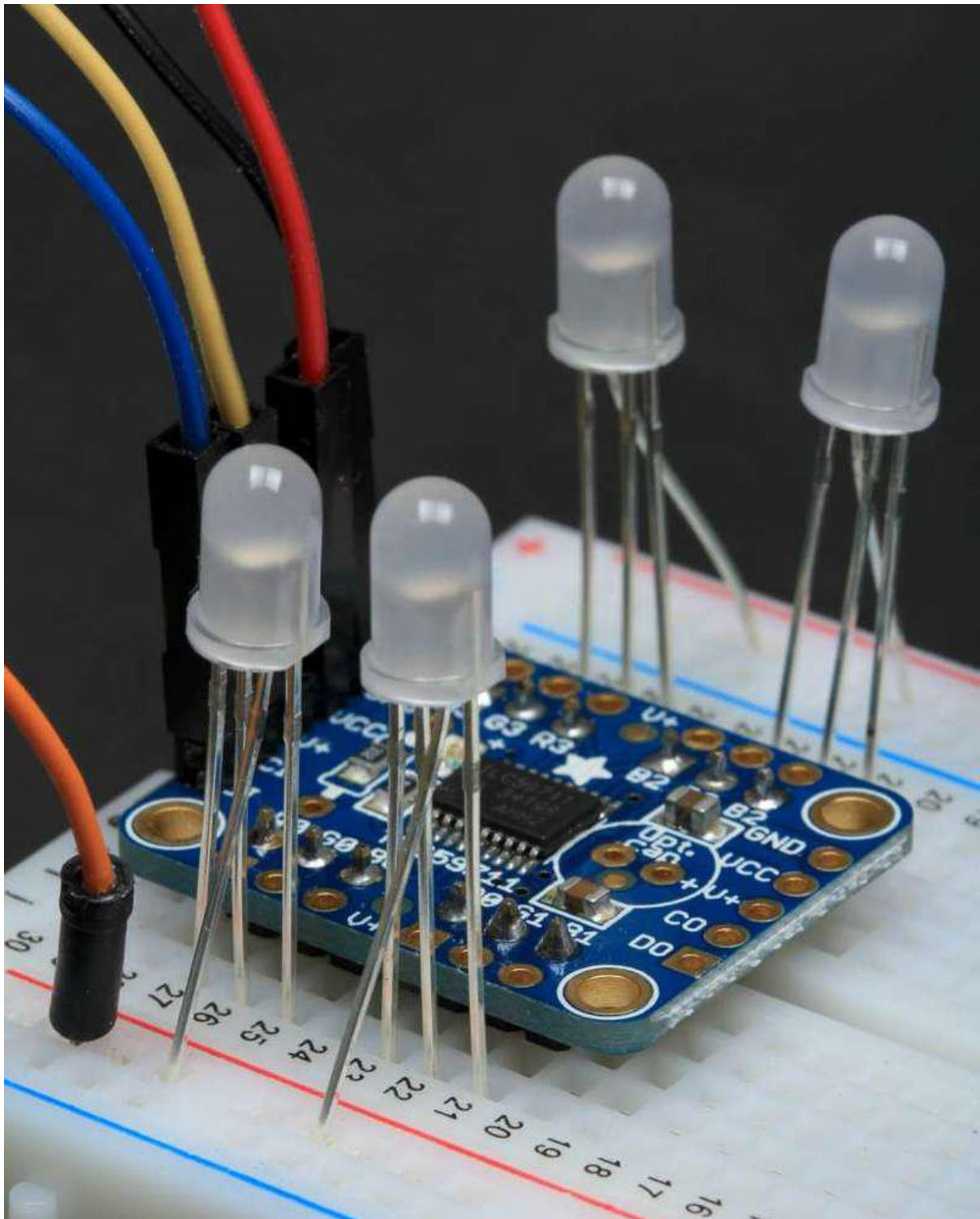




TLC5947 and TLC59711 PWM LED Driver Breakouts

Created by Bill Earl



<https://learn.adafruit.com/tlc5947-tlc59711-pwm-led-driver-breakout>

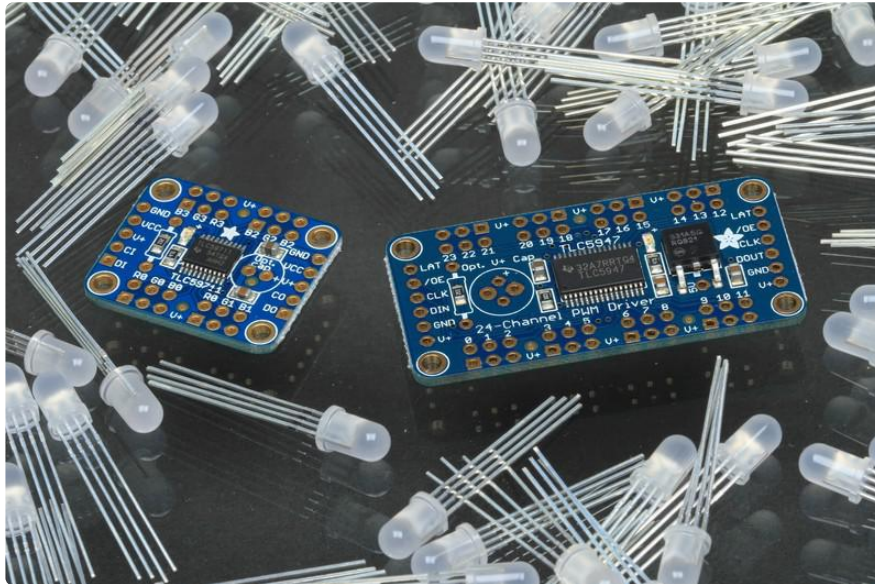
Last updated on 2022-12-01 02:02:21 PM EST

Table of Contents

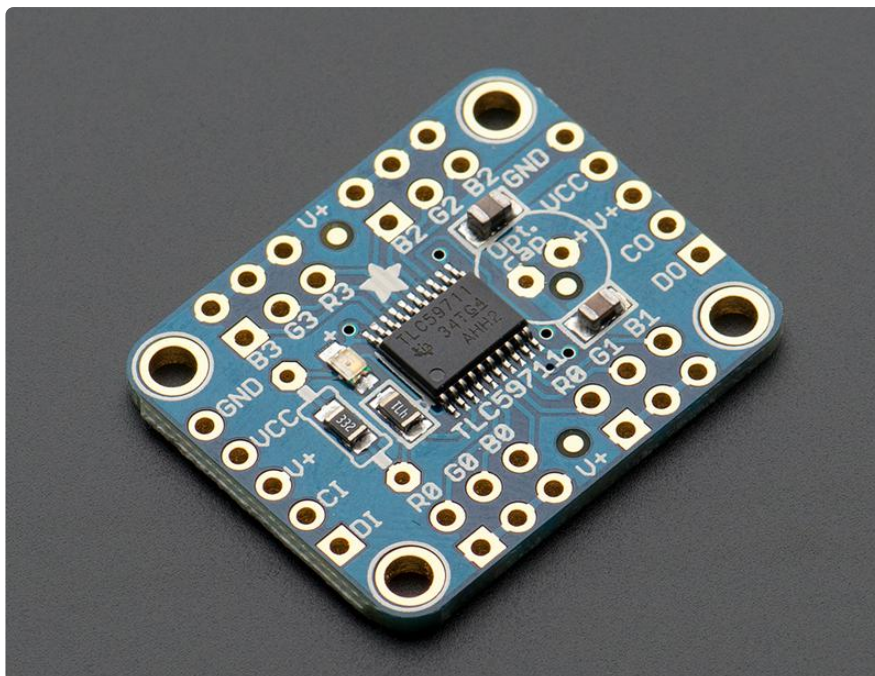
Overview	5
Assembly	6
<ul style="list-style-type: none">• Assembly:• Soldering the Headers• Position the header• Position the board• And solder!• Repeat for the other side	
Connecting to the Arduino	8
<ul style="list-style-type: none">• 24-Channel TLC5947• 12-Channel TLC59711• Chaining Boards	
Power and LEDs	13
<ul style="list-style-type: none">• Connecting Monochrome LEDs• Off-Board Mounting• Connecting RGB LEDs• Multiple LEDs in Series• Powering your LEDs• Constant Current• Choosing a Supply Voltage• Connecting an External Supply	
Programming - Library Reference	17
<ul style="list-style-type: none">• Install The Library• Run the Example Code• TLC5947 Library Reference:• TLC59711 Library Reference:	
Python & CircuitPython	20
<ul style="list-style-type: none">• CircuitPython Microcontroller Wiring• Python Computer Wiring• CircuitPython Installation of TLC5947 and TLC59711 Libraries• Python Installation of TLC5947 and TLC59711 Libraries• CircuitPython & Python Usage of TLC5947• Full TLC5947 Example Code• CircuitPython & Python Usage of TLC59711• Full TLC59711 Example Code	
Python Docs for TLC5947	30
Python Docs for TLC59711	30
Downloads and Links	31
<ul style="list-style-type: none">• Libraries:• Data Sheets & Files• TLC5947 Schematic & Print• TLC59711 Schematic and Print	

Overview

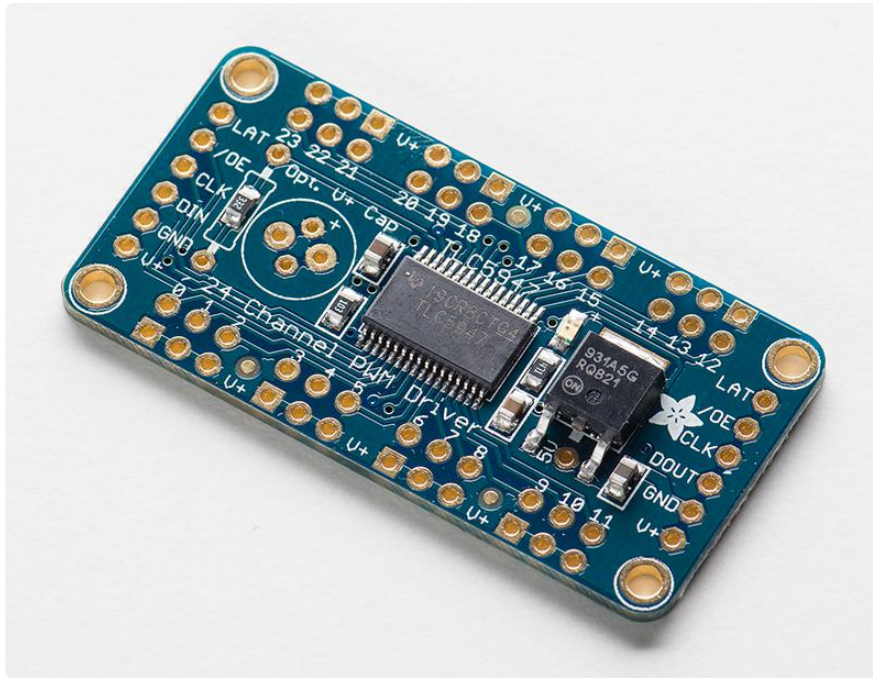
The TLC59711 and TLC5947 breakout boards are ideal for applications requiring precise control of lots of LEDs.



The TLC59711 can control 12 separate channels of 16-bit PWM output. This is the highest-resolution PWM board we've seen!



The TLC5947 has even more channels. It can control 24 separate channels with 12-bit PWM output.



Both boards have a 2 or 3-pin SPI interface. Our library lets you use any two (TLC59711) or three (TLC5947) free pins to drive them. Best of all, you can chain multiple boards together to control hundreds or thousands of LEDs!

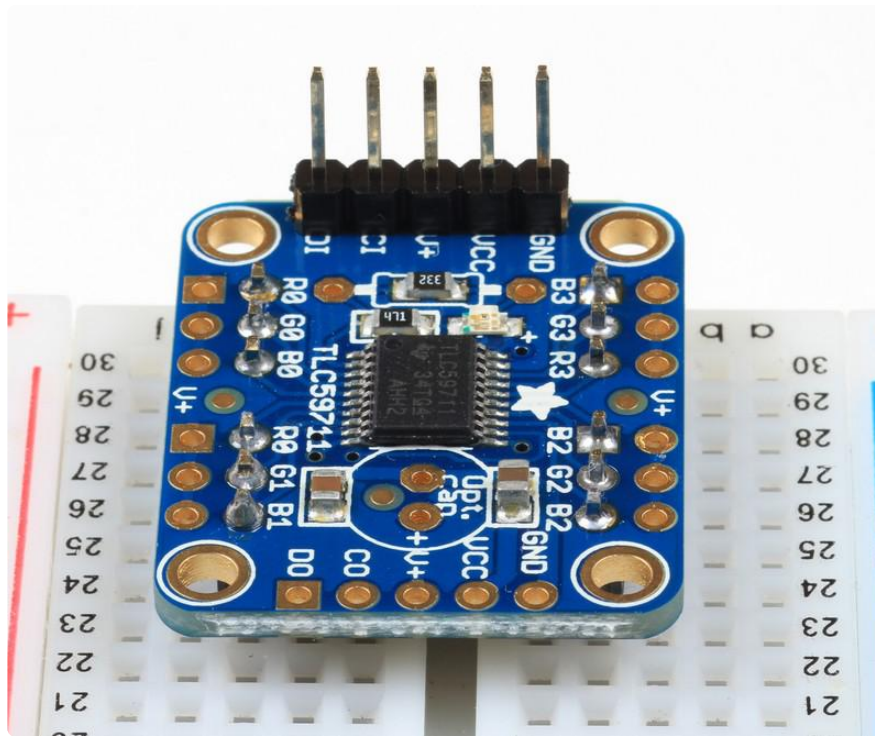
Outputs from these boards are constant-current and open drain. You can drive multiple LEDs in series. One resistor is used to set the current for each of the outputs, the constant current means that the LED brightness doesn't vary if the power supply dips.

We supply these with a 3.3K resistor for about 15mA per channel. But you can solder a thru-hole resistor over it if you'd like to change that value

Assembly

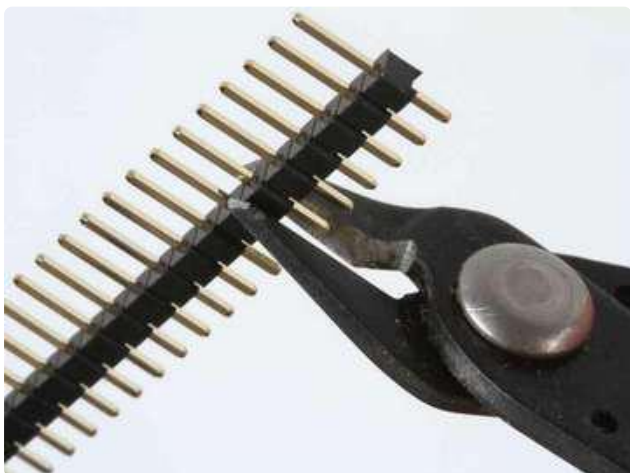
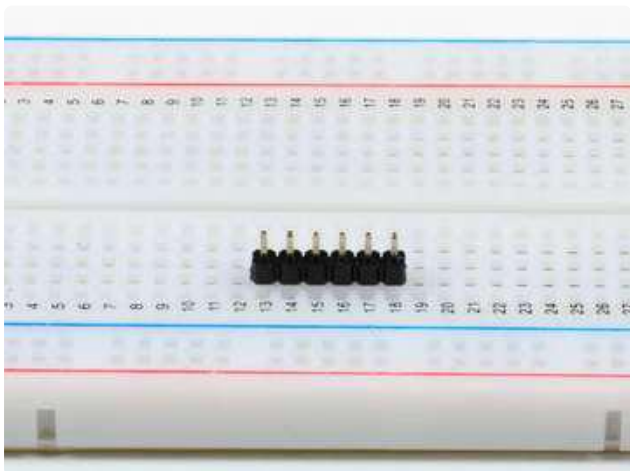
Assembly:

These boards come fully assembled and tested. We include optional header strips in case you want to use these on a breadboard. These take just a few minutes to install. For use in a breadboard, it is easiest to have the control connections on top of the board and the led connections on the bottom as shown below:

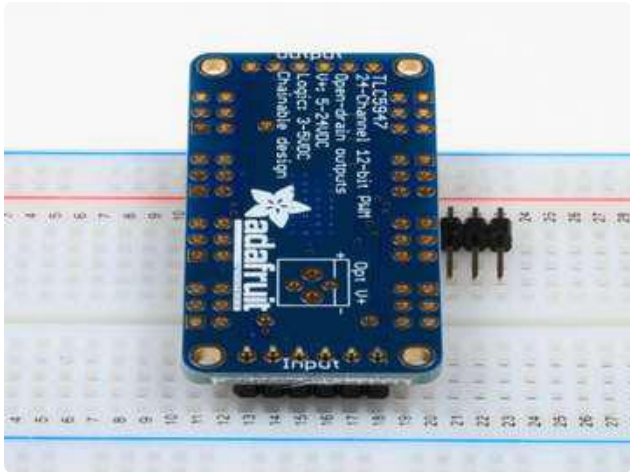


Soldering the Headers

Use the breadboard to hold the parts in position for soldering.



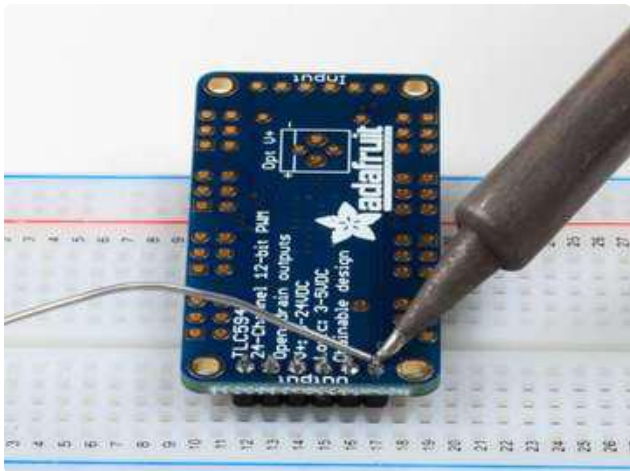
Position the header
Cut to size first if necessary



Position the board

Remember to place it upside down if you want the pins to end up on top.

Hint: A spare piece of header placed under the breakout board will help keep things aligned for soldering.



And solder!

Be sure to solder all pins for good electrical connection.

If you are new to soldering, check out the [Adafruit Guide to Excellent Soldering](#) ()



Repeat for the other side

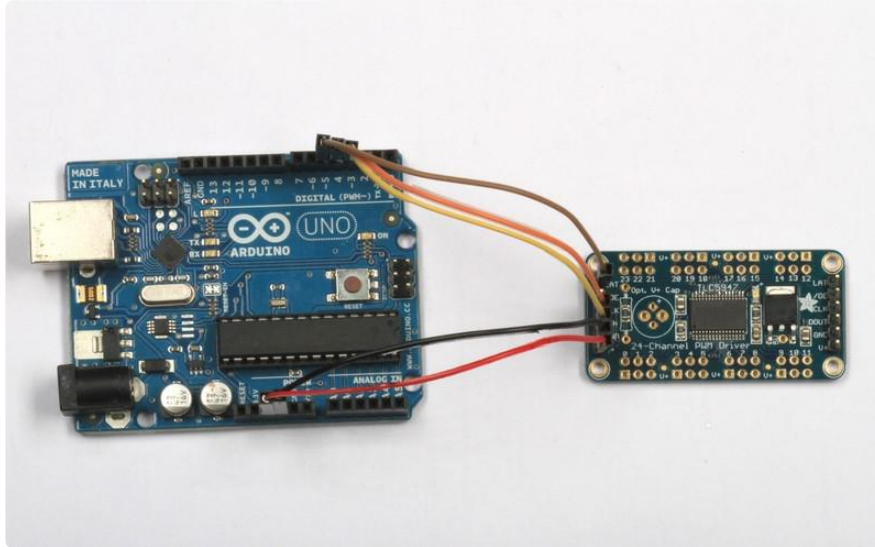
Flip the board over and repeat the process for the LED headers on the bottom of the board.

Connecting to the Arduino

These boards communicate using an SPI protocol. The wiring is slightly different for the two boards, so we will describe them separately. For making breadboard connections with the header pins on top of the board, a set of [male-female jumpers](http://adafru.it/826) (h) are handy.

The pin configurations below are consistent with the example code supplied with the libraries:

24-Channel TLC5947



Connect to the Arduino as follows:

- DIN -> Digital 4
- CLK -> Digital 5
- LAT -> Digital 6
- GND -> GND
- V+ -> VIN

Here we show V+ connected to the Arduino VIN pin. This will power the breakout board and LED directly from the supply connected to the DC power jack. The TLC5947 can accept a V+ of 5v-30v. Higher voltages allow you to drive multiple LEDs in series from each channel.

The DIN/CLK/LAT pins can be changed to any other pins later

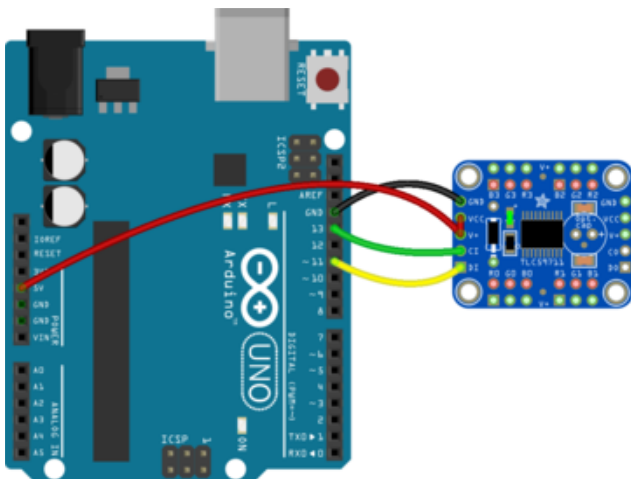
If you need V+ voltages higher than 12v, you will need to use a separate power supply. If you use a separate supply, be sure to connect the ground wire to the Arduino ground.

12-Channel TLC59711

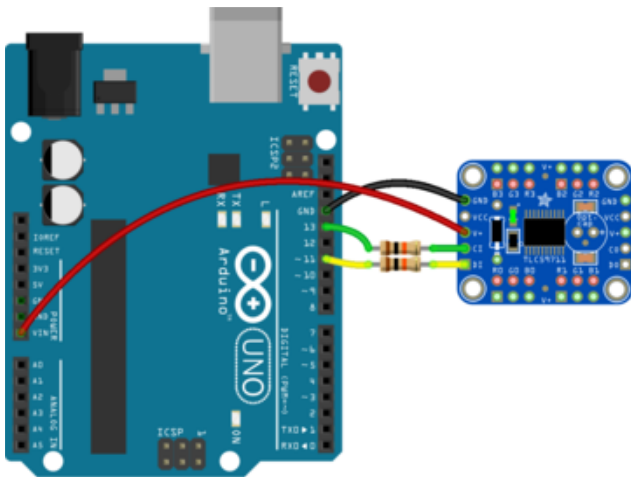
You've got two options for powering/wiring your TLC59711

1. LEDs V+ and logic level VCC connected together to 3 - 5V
2. LEDs V+ at 4-17V and logic level VCC at 3.3V

If you need to use it with a 5V logic UNO, you can do either of the following two wiring diagrams:

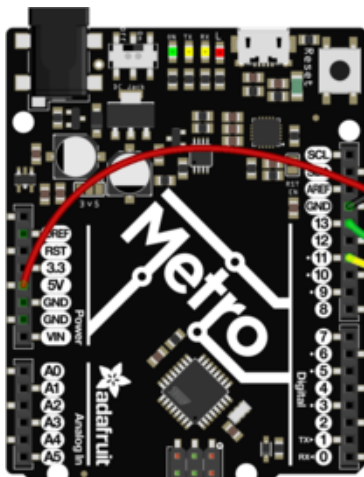


Connect V+ and VCC to 5VDC (this is the best and easiest option)

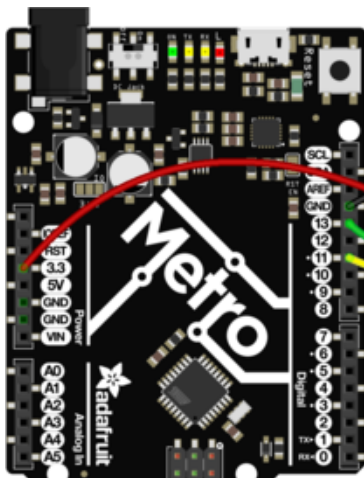


Connect V+ to 4-17V and keep VCC disconnected. Then use 10K resistors or a level shifter between the clock and data wires going into the first of the TLC59711

If you are using a 3.3V logic Arduino, you have two wiring options:



Keep VCC disconnected, and connect V+ to 4-17V



Connect VCC and V+ together to 3.3V (if a 4V+ power source is not available)

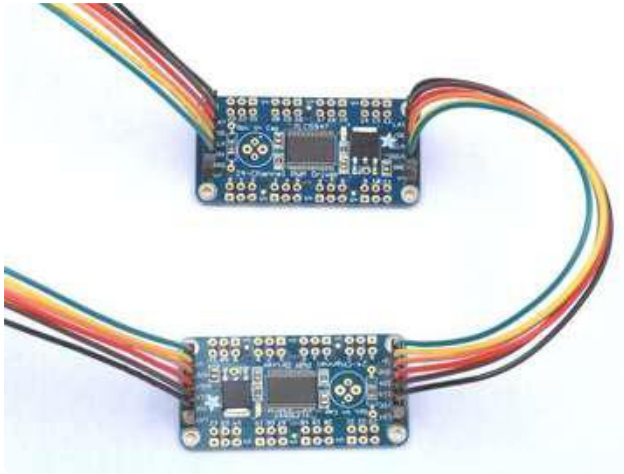
Other than that, connect to the Arduino as follows:

- DI -> Digital 11
- CI -> Digital 13
- GND -> GND

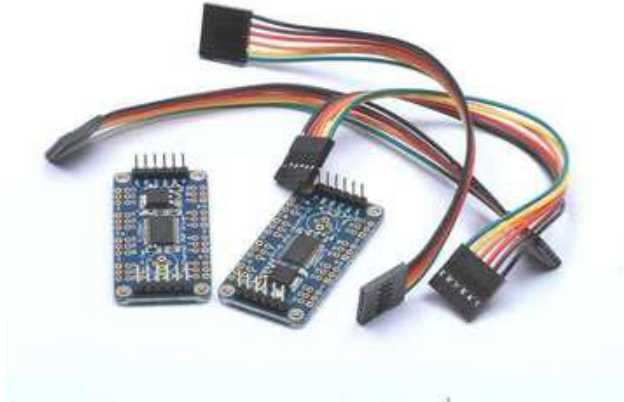
The DI/CI pins can be changed to any other pins later

If you need V+ voltages higher than 12v, you will need to use a separate power supply. If you use a separate supply, be sure to connect the ground wire to the Arduino ground.

Chaining Boards



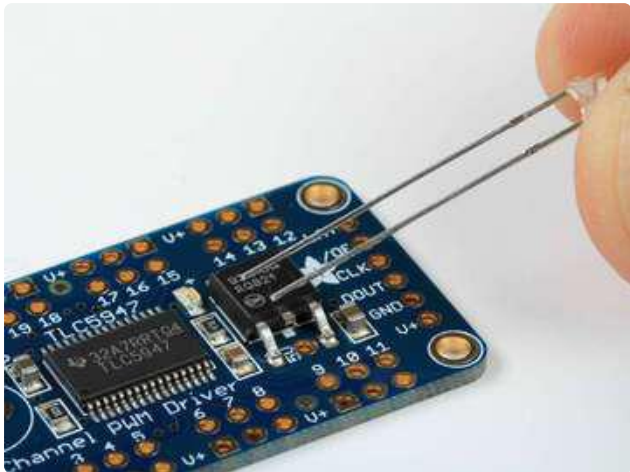
Multiple boards can be chained to control hundreds of LEDs. Using an Arduino, you will run out of memory long before you exceed the chaining capacity of these boards!



Header connections at both ends of the board make chaining simple. Our [6-Conductor 0.1" Socket-Socket Cable \(http://adafruit.it/206\)](http://adafruit.it/206) is perfect for linking them together.

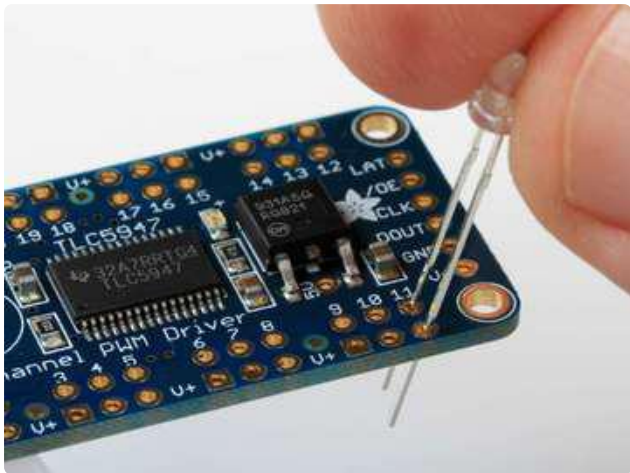
The next two pages will show you how to connect some LEDs and test them out with the library example sketch:

Power and LEDs



Connecting Monochrome LEDs

Note that one leg of the led is longer than the other. This is the Anode and should be connected to the V+ hole in the board.





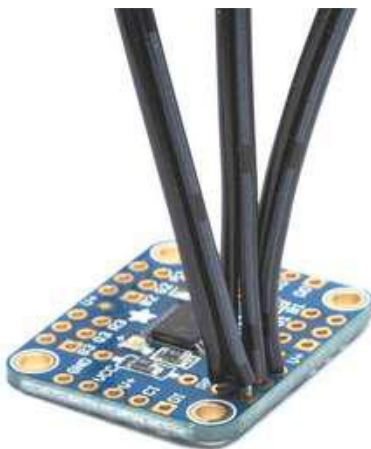
Off-Board Mounting

For more flexibility in positioning LEDs, you will probably want to connect your LEDs with wire instead of soldering them directly to your breakout board.

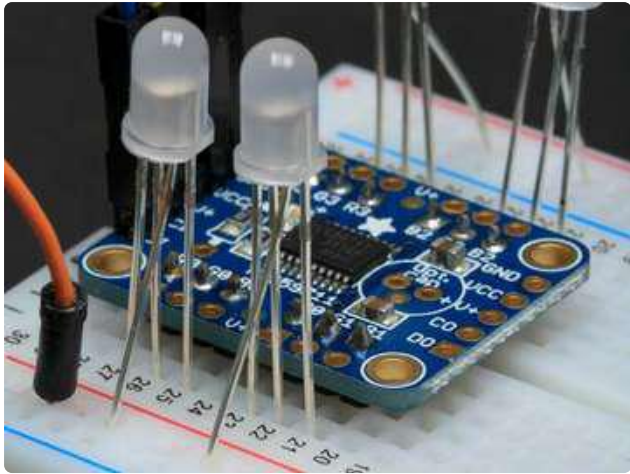
Our [Pig-Tail Cables](http://adafru.it/1003) make remote mounting of individual LEDs very simple.



You can also install headers onto the PCBs, then plug the pig-tail socket there, and solder the LED legs to the wire ends - whatever makes sense for your project



Tip: One strand of the pig-tail is marked in gray. Solder this to the V+ side to mark the polarity.

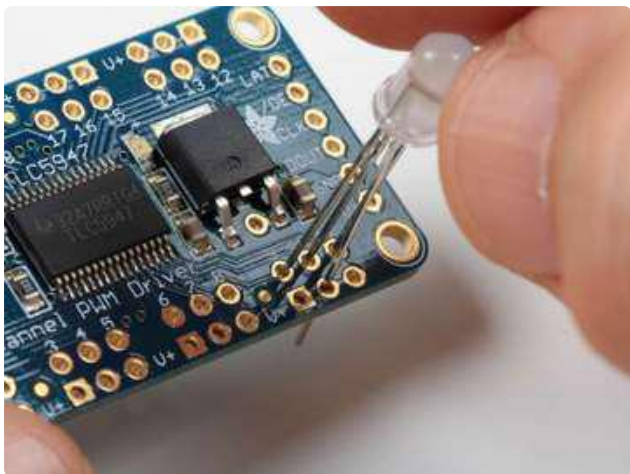
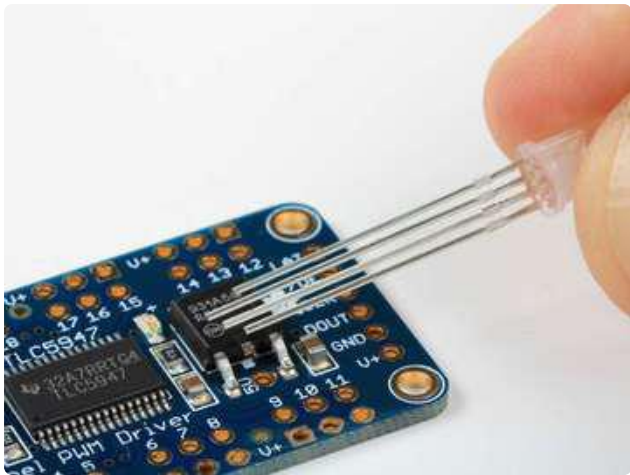


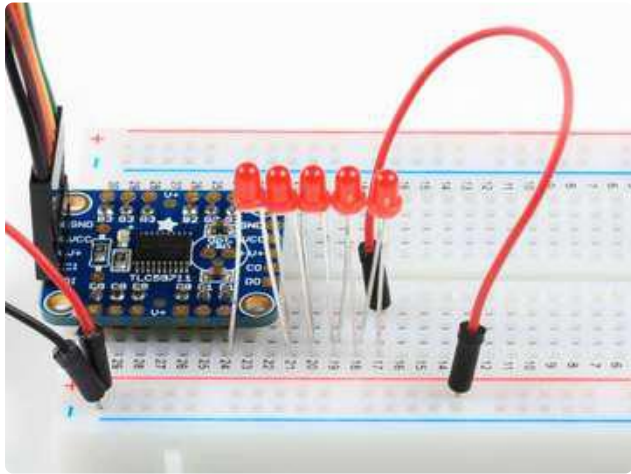
Connecting RGB LEDs

Output channels are conveniently arranged in groups of 3 to simplify connecting RGB leds.

The common anode (longest lead) should be soldered to one of the V+ holes (any one will do)

When working with a breadboard, connect V+ to the bus on the edge of the breadboard and plug the anode into the bus.





Multiple LEDs in Series

The wide voltage range and constant current drive makes it simple to drive multiple LEDs in series from any channel. Just be sure to choose a supply voltage is higher than the sum of the V_f s of all the leds in series.

For example: To drive 5 blue LEDs in series, you would need at least $3.2v * 5 = 16v$. This voltage is within the range of either the TLC59711 or the TLC5947.

Powering your LEDs

For running as many as 8 channels of RGB or 24 channels of single LEDs, you can usually get by borrowing power from the Arduino as shown. If you plan on running more LEDs with these boards, you should start thinking about how to power them.

Constant Current

Both the TLC59711 and TLC5947 are constant current drivers. This is just what LEDs need. Since they are constant current, you have some flexibility with the supply voltage and you don't need to add current limiting resistors. The TLC59xxx drivers will adjust automatically to power supply fluctuations. Your LEDs won't flicker and you don't have to worry about burning them out. We have configured these breakouts to set the current level at 15mA per channel. This is a safe level for virtually all leds you might want to connect to them.

To operate at different currents, it is possible to replace the on-board reference resistor with a through-hole resistor. These drivers are capable of driving up to 60mA (TLC59711) or 30mA (TLC5947) per channel. The graphs in the data sheets show the relationship between resistance and output current.

[TLC59711 Data Sheet \(\)](#)

[TLC5947 Data Sheet \(\)](#)

Choosing a Supply Voltage

Since these are constant current drivers, the voltage selection is not so critical. It just needs to be slightly higher than the forward voltage (V_f) of your LEDs.

Supply Voltage Range:

- TLC5947 - 5v to 30v
- TLC59711 - 5v to 17v

Typical LED V_f by Color:

- Red 2.1v
- Yellow 2.2v
- Green 3.2v
- Blue 3.2v
- White 3.2v

Connecting an External Supply

If you do decide you need an external supply for your LEDs:

- First remove the connection between $V+$ and VIN from the Arduino.
- Be sure to keep the connection between GND and the Arduino GND .
- Next connect the negative terminal of your supply to GND on the breakout.
- Finally, connect the positive terminal of your supply to $V+$ on the breakout.

Programming - Library Reference

Install The Library

To use these boards, first download and install the library using one of the buttons below. If you are new to Arduino Libraries, check this guide for instructions on how to install them:

<http://learn.adafruit.com/adafruit-all-about-arduino-libraries-install-use> ()

Adafruit TLC59711 Library Download

Run the Example Code

Wire your breakout and connect some LEDs as shown on the previous pages. Load the example code for your breakout board:

File->Examples->Adafruit_59711->tlc59711test

or:

File->Examples->Adafruit_5947->tlc5947test

And run. If you are using RGB LEDs, the code will cycle through some colors to demonstrate the capabilities of the board.

TLC5947 Library Reference:

Adafruit_TLC5947(uint8_t n, uint8_t c, uint8_t d, uint8_t l)

Call the constructor to create an instance of the TLC5947 PWM breakout driver.

- n = Number of Drivers (>1 if the drivers are chained)
- c = Clock pin
- d = Data pin
- l = Latch pin

boolean begin(void);

Call begin just once in your setup() function to initialize the devices.

void setPWM(uint8_t chan, uint16_t pwm);

Call this to set the PWM level for a channel.

- chan = Channel
- pwm = PWM level (0 = minimum, 4095 = maximum)

void setLED(uint8_t lednum, uint16_t r, uint16_t g, uint16_t b);

Call this to set the RGB value for a group of 3 channels

- lednum = LED number (channel number of the "red" pin divided by 3)
- r = red level
- g = green level

- b = blue level

`void write(void);`

Call this after every change to write the new PWM levels to the device.

TLC59711 Library Reference:

`Adafruit_TLC59711(uint8_t n, uint8_t c, uint8_t d);`

Call the constructor to create an instance of the TLC59711 PWM breakout driver.

- n = Number of Drivers (>1 if the drivers are chained)
- c = Clock Pin
- D = Data Pin

`Adafruit_TLC59711(uint8_t n);`

Alternate constructor for hardware SPI. Assumes hardware SPI pins for MOSI and SCK.

`boolean begin(void);`

Call begin just once in your setup() function to initialize the devices.

`void setPWM(uint8_t chan, uint16_t pwm);`

Call this to set the PWM level for a channel.

- chan = Channel
- pwm = PWM level (0 = minimum, 65535= maximum)

`void setLED(uint8_t lednum, uint16_t r, uint16_t g, uint16_t b);`

Call this to set the RGB value for a group of 3 channels

- lednum = LED number (channel number of the "red" pin divided by 3)
- r = red level
- g = green level
- b = blue level

```
void write(void);
```

Call this after every change to write the new PWM levels to the device.

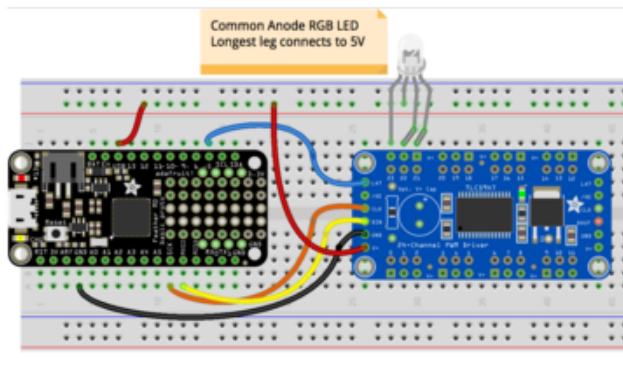
Python & CircuitPython

It's easy to use the TLC5947 and TLC59711 with Python or CircuitPython, and the [Adafruit CircuitPython TLC5947 \(\)](#) and [Adafruit CircuitPython TLC59711 \(\)](#) modules. These modules allows you to easily write Python code that controls the PWM outputs of these boards.

You can use this driver with any CircuitPython microcontroller board or with a computer that has GPIO and Python [thanks to Adafruit_Blinka, our CircuitPython-for-Python compatibility library \(\)](#).

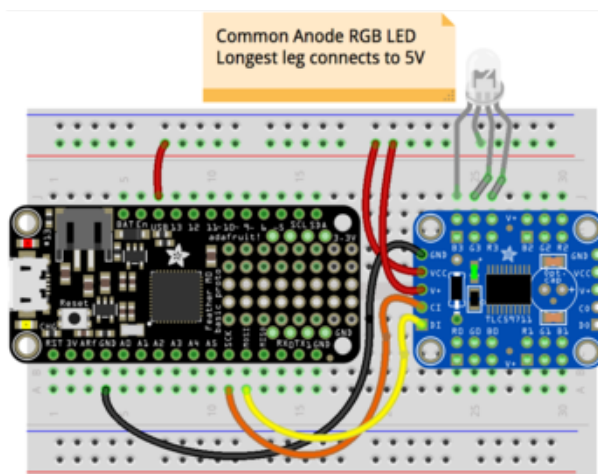
CircuitPython Microcontroller Wiring

First wire up your board exactly as shown on the previous pages for an Arduino. For example here's how to wire a TLC5947 to a Feather M0 using a standard hardware SPI connection:



Board GND/ground to driver GND
 Board USB/5V to driver V+ and RGB LED anode (longest leg).
 Board SCK to driver CLK
 Board MOSI to driver DIN
 Board D5 to driver LAT (or use any other free digital I/O).
 RGB LED red leg to driver output 21 (or any other output).
 RGB LED green leg to driver output 22 (or any other output).
 RGB LED blue leg to driver output 23 (or any other output).
 You might need to check your RGB LED's datasheet to find which legs are the red, green, blue inputs (or just experiment with turning them on off to find out). The longest leg will always be the anode, or positive voltage input. Be sure you're using a common anode and not common cathode RGB LED!

If you're using a TLC5971 here's how to wire it to a Feather M0 again using a standard SPI connection:



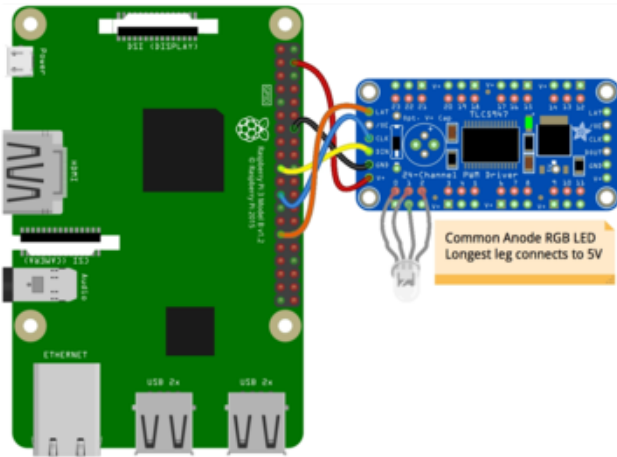
Board GND to driver GND
 Board USB/5V to driver V+, driver VCC, and RGB LED anode (longest leg).
 Board SCK to driver CI
 Board MOSI to driver DI
 RGB LED red leg to driver output R3 (or any other R output).
 RGB LED green leg to driver output G3 (or any other G output).
 RGB LED blue leg to driver output B3 (or any other B output).
 Again you might need to check your RGB LED's datasheet to find which legs are the red, green, blue inputs (or just experiment with turning them on off to find out). The longest leg will always be the anode, or positive voltage input. Be sure you're using a common anode and not common cathode RGB LED!

If your project needs to be portable, you may want to connect V+ and VCC to VBAT (battery power) or 3.3V (less power available but will work on both USB or battery power)

Python Computer Wiring

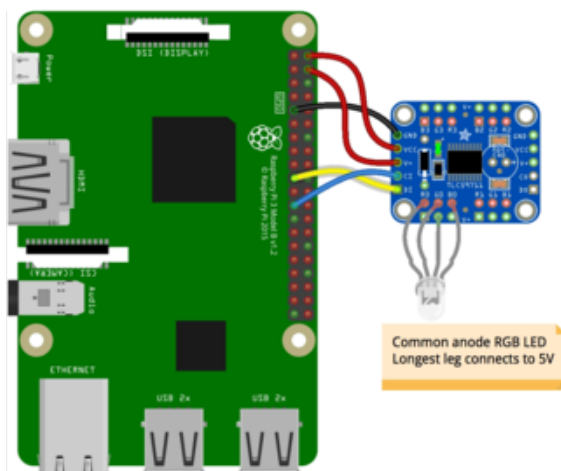
Since there's dozens of Linux computers/boards you can use we will show wiring for Raspberry Pi. For other platforms, [please visit the guide for CircuitPython on Linux to see whether your platform is supported \(\)](#).

Here's the Raspberry Pi and TLC5947 wired with SPI:



Pi 5V to driver V+
Pi GND to driver GND
Pi MOSI to driver DIN
Pi SCLK to driver CLK
Pi GPIO5 to driver LAT (or use any other free digital I/O).
RGB LED anode leg to driver V+
RGB LED red leg to driver output 1 (or any other output).
RGB LED green leg to driver output 2 (or any other output).
RGB LED blue leg to driver output 3 (or any other output).
Check your RGB LED's datasheet to find out which legs are red, green and blue, or experiment with turning them on and off to find out. The longest leg will always be the anode, or positive voltage output. Be sure you're using a common anode and not common cathode RGB LED!

Here's the Raspberry Pi and TLC59711 wired with SPI:



Pi 5V to driver V+, driver VCC
 Pi GND to driver GND
 Pi MOSI to driver DI
 Pi SCLK to driver CI
 RGB LED anode leg to driver V+
 RGB LED red leg to driver output R0 (or any other R output).
 RGB LED green leg to driver output G0 (or any other G output).
 RGB LED blue leg to driver output B0 (or any other B output).
 Check your RGB LED's datasheet to find out which legs are red, green and blue, or experiment with turning them on and off to find out. The longest leg will always be the anode, or positive voltage output. Be sure you're using a common anode and not common cathode RGB LED!

CircuitPython Installation of TLC5947 and TLC59711 Libraries

Next you'll need to install either the [Adafruit CircuitPython TLC5947 \(\)](#) or [Adafruit CircuitPython TLC59711 \(\)](#) module on your CircuitPython board, depending on which board you're using.

First make sure you are running the [latest version of Adafruit CircuitPython \(\)](#) for your board.

Next you'll need to install the necessary libraries to use the hardware--carefully follow the steps to find and install these libraries from [Adafruit's CircuitPython library bundle \(\)](#). Our introduction guide has [a great page on how to install the library bundle \(\)](#) for both express and non-express boards.

Remember for non-Express boards, you'll need to manually install the necessary libraries from the bundle, either:

- `adafruit_tlc5947.mpy`

Or:

- adafruit_tlc59711.mpy

Before continuing make sure your board's lib folder or root filesystem has the adafruit_tlc5947.mpy or adafruit_tlc59711.mpy files copied over.

Next [connect to the board's serial REPL \(\)](#) so you are at the CircuitPython >>> prompt.

Python Installation of TLC5947 and TLC59711 Libraries

You'll need to install the Adafruit_Blinka library that provides the CircuitPython support in Python. This may also require enabling I2C on your platform and verifying you are running Python 3. [Since each platform is a little different, and Linux changes often, please visit the CircuitPython on Linux guide to get your computer ready \(\)!](#)

Once that's done, from your command line run the following command:

- `sudo pip3 install adafruit-circuitpython-tlc5947`

Or:

- `sudo pip3 install adafruit-circuitpython-tlc59711`

If your default Python is version 3 you may need to run 'pip' instead. Just make sure you aren't trying to use CircuitPython on Python 2.x, it isn't supported!

CircuitPython & Python Usage of TLC5947

To demonstrate the usage of the TLC5947 we'll initialize it and control PWM outputs using the Python REPL. First run the following code to initialize the SPI bus and other connections to the chip:

```
import board
import busio
import digitalio
import adafruit_tlc5947
spi = busio.SPI(clock=board.SCK, MOSI=board.MOSI)
```

```
latch = digitalio.DigitalInOut(board.D5)
tlc5947 = adafruit_tlc5947.TLC5947(spi, latch)
```

Be sure to set latch to the right digital I/O pin connected to your TLC5947's latch input. The wiring and code above use pin D5.

Now you're ready to control any of the 24 PWM outputs from the board. There are two ways to control these outputs, the first is with direct access to each channels 12-bit PWM duty cycle. You just index into the TLC5947 object like an array and set or get the duty cycle value, for example to set output 21 to a 100% duty cycle (which should turn the LED on to full red intensity if wired as shown):

```
tlc5947[21] = 4095
```

Notice the LED turns bright red! You can drop it down to half red brightness by setting a smaller duty cycle. Any value from 0 (off/no intensity) to 4095 (maximum/full intensity) can be set. Try a value in-between like 2048:

```
tlc5947[21] = 2048
```

You can change the other colors of the LED too, like to set full green (output 22) and quarter intensity blue (output 23):

```
tlc5947[22] = 4095
tlc5947[23] = 1024
```

The other way to control the TLC5947 outputs is with a syntax similar to [CircuitPython's built-in PWMOut object](#) (). This is useful if you have code meant to work with PWMOut objects, like a motor controller or other higher-level class. You can pass in a special TLC5947 PWMOut object and it will be controlled just like a regular CircuitPython PWMOut.

Create a PWMOut object by calling the create_pwm_out function and pass it the number of the output. For example to make a PWM out for the red channel of the LED (output 21) you would run:

```
red = tlc5947.create_pwm_out(21)
```

Now you can change the duty_cycle property of the red object to control the duty cycle of that channel on the TLC5947.

One thing to note is that the duty cycle for this PWMOut expects a 16-bit value just like the regular CircuitPython PWMOut! This means you instead need to use a range of values from 0 (off/no intensity) to 65535 (max/full intensity). Also there's a small chance you'll get little math errors because the TLC5947 only supports a 12-bit duty cycle so be aware if you need the most accurate PWM output you might want to use the direct channel access shown above.

To set the red channel to maximum intensity run:

```
red.duty_cycle = 65535
```

Or set any value from 0 - 65535 to change to an in-between duty cycle!

You might notice the PWMOut object also has a frequency property. Unlike CircuitPython's built-in PWMOut this property actually does nothing and cannot be changed. The TLC5947 has a fixed PWM frequency which is good for driving LEDs, not for servos. If you need control of PWM frequency you might need to use a native PWM output from your development board!

That's all there is to using the TLC5947 with CircuitPython! Here's a complete example of initializing the chip and pulsing (dimming and brightening) the LED. Save this as code.py on your board to run it.

Full TLC5947 Example Code

```
# SPDX-FileCopyrightText: 2018 Tony DiCola for Adafruit Industries
# SPDX-License-Identifier: MIT

# Simple demo of controlling the TLC5947 12-bit 24-channel PWM controller.
# Will update channel values to different PWM duty cycles.
# Author: Tony DiCola

import board
import busio
import digitalio

import adafruit_tlc5947

# Define pins connected to the TLC5947
SCK = board.SCK
MOSI = board.MOSI
LATCH = digitalio.DigitalInOut(board.D5)

# Initialize SPI bus.
spi = busio.SPI(clock=SCK, MOSI=MOSI)

# Initialize TLC5947
tlc5947 = adafruit_tlc5947.TLC5947(spi, LATCH)
# You can optionally disable auto_write which allows you to control when
# channel state is written to the chip. Normally auto_write is true and
```

```

# will automatically write out changes as soon as they happen to a channel, but
# if you need more control or atomic updates of multiple channels then disable
# and manually call write as shown below.
# tlc5947 = adafruit_tlc5947.TLC5947(spi, LATCH, auto_write=False)

# There are two ways to channel channel PWM values. The first is by getting
# a PWMOut object that acts like the built-in PWMOut and can be used anywhere
# it is used in your code. Change the duty_cycle property to a 16-bit value
# (note this is NOT the 12-bit value supported by the chip natively) and the
# PWM channel will be updated.

# With an RGB LED hooked up to pins 0, 1, and 2, cycle the red, green, and
# blue pins up and down:

red = tlc5947.create_pwm_out(0)
green = tlc5947.create_pwm_out(1)
blue = tlc5947.create_pwm_out(2)

step = 10
start_pwm = 0
end_pwm = 32767 # 50% (32767, or half of the maximum 65535):

while True:
    for pin in (red, green, blue):
        # Brighten:
        print("Brightening LED")
        for pwm in range(start_pwm, end_pwm, step):
            pin.duty_cycle = pwm

        # Dim:
        print("Dimming LED")
        for pwm in range(end_pwm, start_pwm, 0 - step):
            pin.duty_cycle = pwm

# Note if auto_write was disabled you need to call write on the parent to
# make sure the value is written (this is not common, if disabling auto_write
# you probably want to use the direct 12-bit raw access instead shown below).
#     tlc5947.write()

# The other way to read and write channels is directly with each channel 12-bit
# value and an item accessor syntax. Index into the TLC5947 with the channel
# number (0-23) and get or set its 12-bit value (0-4095).
# For example set channel 1 to 50% duty cycle.
# tlc5947[1] = 2048
# Or set channel 23 (first channel from the end) to 2/3 duty cycle.
# tlc5947[-1] = 2730
# Again be sure to call write if you disabled auto_write.
# tlc5947.write()

```

CircuitPython & Python Usage of TLC59711

To demonstrate the usage of the TLC59711 we'll initialize it and control PWM outputs using the Python REPL. First run the following code to initialize the SPI bus and other connections to the chip:

```

import board
import busio
import digitalio
import adafruit_tlc59711
spi = busio.SPI(clock=board.SCK, MOSI=board.MOSI)
tlc59711 = adafruit_tlc59711.TLC59711(spi)

```

Now you're ready to start controlling the PWM outputs of the TLC59711. There are two ways to control these outputs. The first way is with a format that's very similar to controlling a strip of NeoPixels. For each of the R0, G0, B0, R1, G1, B1, etc. sets of PWM outputs they can be adjusted at once by indexing into the TLC59711 object. For example to set the R3, G3, B3 output to full red intensity run:

```
tlc59711[3] = (65535, 0, 0)
```

Notice you set the outputs using a 3-tuple of 16-bit values. These are the PWM duty cycle values to assign to the R3, G3, and B3 channels respectively. You could set the same outputs to moderate green/blue (half intensity of each) by running:

```
tlc59711[3] = (0, 32767, 32767)
```

The other way to control PWM outputs is with direct access to each output pin. The TLC59711 object has a property for each R0, G0, B0, R1, etc. output and you can set or get its 16-bit PWM duty cycle directly. For example to change R3 to full intensity:

```
tlc59711.r3 = 65535
```

This is handy if you're not controlling RGB LEDs and instead just want to control each channel independently.

Finally the TLC59711 supports a global red, green, and blue channel brightness control. These values adjust all of the associated color outputs, like the red brightness channel control changes the R0, R1, R2, and R3 outputs. Set this to a 7-bit value (0-127) with 0 being low intensity and 127 being maximum intensity. Both the channel brightness and the individual channel PWM duty cycle are used to set the final output of a channel. For example to dim all the red channels by half you can run:

```
tlc59711.red_brightness = 63
```

There's a similar green_brightness property that controls G0, G1, G2, G3 and blue_brightness property that controls B0, B1, B2, B3.

That's all there is to controlling the TLC59711 with CircuitPython! Below is a complete example of initializing communication with the chip and changing some of the PWM outputs as shown above. Save this as code.py on your board to have it run.

Full TLC59711 Example Code

```
# SPDX-FileCopyrightText: 2021 ladyada for Adafruit Industries
# SPDX-License-Identifier: MIT

# simple demo of the TLC59711 16-bit 12 channel LED PWM driver.
# Shows the minimal usage - how to set pixel values in a few ways.
# Author: Tony DiCola

import board
import busio

import adafruit_tlc59711

print("tlc59711_simpletest.py")

# Define SPI bus connected to chip.
# You only need the clock and MOSI (output) line to use this chip.
spi = busio.SPI(board.SCK, MOSI=board.MOSI)
pixels = adafruit_tlc59711.TLC59711(spi, pixel_count=16)

# examples how to set the pixels:
# range:
# 0 - 65535
# or
# 0.0 - 1.0
# every pixel needs a color -
# give it just a list or tuple with 3 integer values: R G B

# set all pixels to a very low level
pixels.set_pixel_all((10, 10, 10))

# every chip has 4 Pixels (=RGB-LEDs = 12 Channel)
pixels[0] = (100, 100, 100)
pixels[1] = (0, 0, 100)
pixels[2] = (0.01, 0.0, 0.01)
pixels[3] = (0.1, 0.01, 0.0)
# if you are ready to show your values you have to call
pixels.show()

# there are a bunch of other ways to set pixel.
# have a look at the other examples.
```

Python Docs for TLC5947

[Python Docs for TLC5947 \(\)](#)

Python Docs for TLC59711

[Python Docs for TLC59711 \(\)](#)

Downloads and Links

Libraries:

[TLC59711 Library \(\)](#) (12 channel breakout)

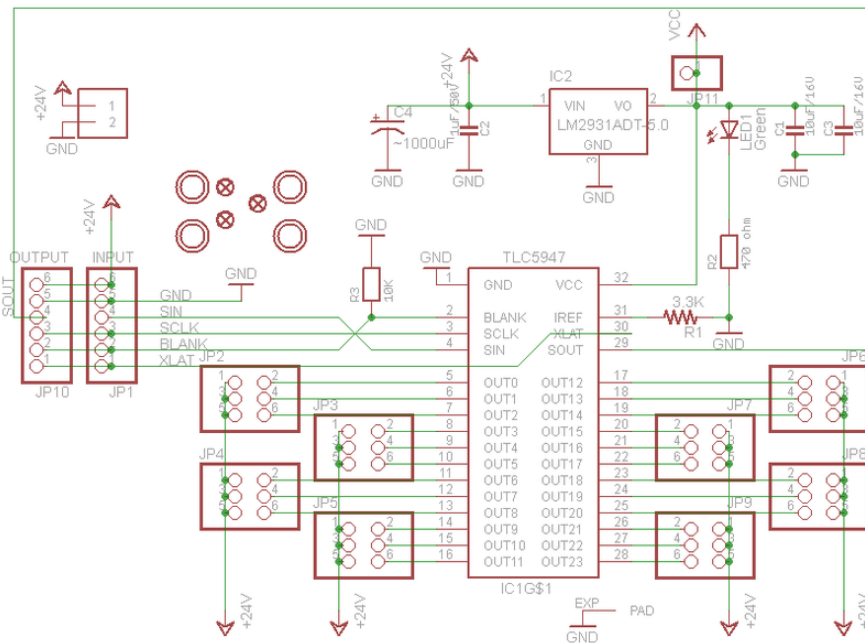
[TLC5947 Library \(\)](#) (24 channel breakout)

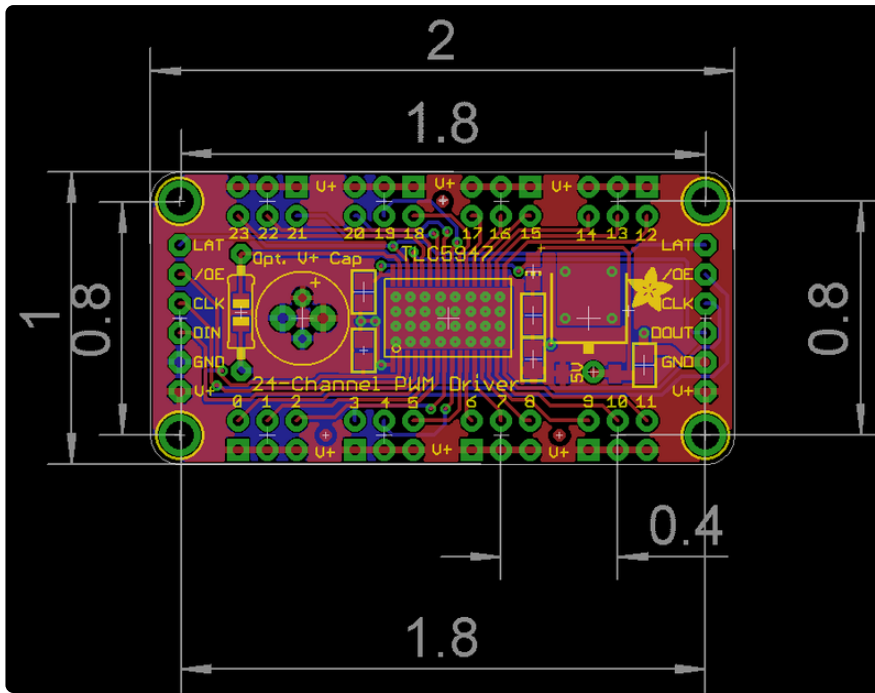
For tips on installing Arduino Libraries, see our guide: [All About Arduino Libraries \(\)](#).

Data Sheets & Files

- [TLC59711 Data Sheet \(\)](#)
- [TLC5947 Data Sheet \(\)](#)
- [Fritzing objects in Adafruit Fritzing Library \(\)](#)
- [EagleCAD PCB files for TLC5947 on GitHub \(\)](#)
- [EagleCAD PCB files for TLC59711 on GitHub \(\)](#)

TLC5947 Schematic & Print





TLC59711 Schematic and Print

