



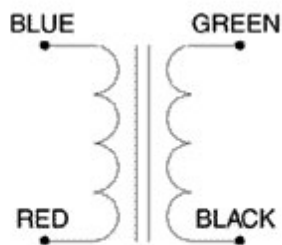
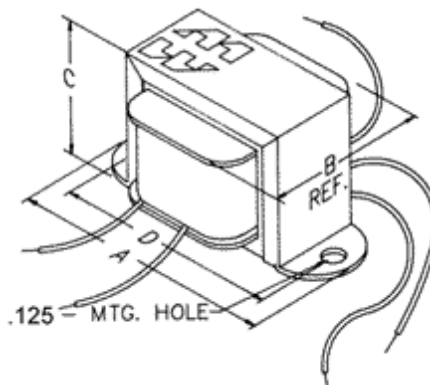
Quality Products. Service Excellence.

# Audio Chassis Mount 143-146 Series

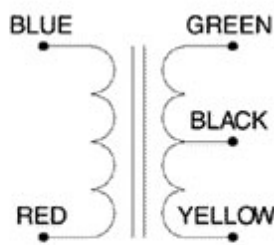
## Features



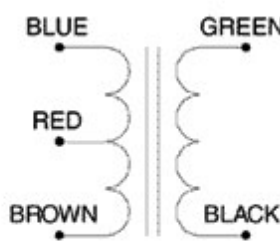
- Small, economical, open, two hole horizontal bracket mount.
- Insulated, color coded flexible leads, 4" long minimum (143, 144 & 145 Series) or 3" long minimum (146 Series).
- For a similar version designed to be PC Board mounted, refer to the 148 and 149 series.
- Frequency response 150 Hz. to 15 Khz. (+/- 1 db, reference 1000 Hz.)
- When operating at impedances below nominal, power capability and the frequency spectrum are proportionately lower; conversely, at higher impedances power capability and frequency spectrum will be proportionately higher.
- Net weight: 0.5 oz. (143, 144, 146 Series) & 1.4 oz. (145 Series).



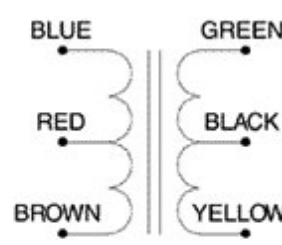
Schematic 1



Schematic 2



Schematic 3



Schematic 4

| Part No. | Applicaton | Nominal Impedance (Ohms) |           | Primary D.C. (*1) ma | D.C. Resistance (Ohms) +/- 15% |           | Output (mW) | Overall Dimensions |      |      |      | Schematic |
|----------|------------|--------------------------|-----------|----------------------|--------------------------------|-----------|-------------|--------------------|------|------|------|-----------|
|          |            | Primary                  | Secondary |                      | Primary                        | Secondary |             | A                  | B    | C    | D    |           |
| 143B     | Input      | 3.2                      | 4000      | 0                    | 0.4                            | 245       | 15          | 1.26               | 0.69 | 0.69 | 1.06 | 1         |
| 143D     | Input      | 200K                     | 1000      | 0                    | 4500                           | 30        | 25          | 1.26               | 0.69 | 0.69 | 1.06 | 1         |
| 143H     | Driver     | 1500                     | 500 ct    | 4                    | 111                            | 24        | 30          | 1.26               | 0.69 | 0.69 | 1.06 | 2         |
| 143J     | Driver     | 3000                     | 1000 ct   | 2.6                  | 265                            | 53        | 30          | 1.26               | 0.69 | 0.69 | 1.06 | 2         |
| 143L     | Driver     | 10000                    | 200 ct    | 1.5                  | 720                            | 9         | 30          | 1.26               | 0.69 | 0.69 | 1.06 | 2         |
| 143N     | Driver     | 10000                    | 2000 ct   | 1.5                  | 720                            | 89        | 30          | 1.26               | 0.69 | 0.69 | 1.06 | 2         |

| Part No. | Applicaton    | Nominal Impedance<br>(Ohms) |           | Primary<br>D.C.<br>(*1) ma | D.C. Resistance<br>(Ohms) +/- 15% |           | Output<br>(mW) | Overall Dimensions |      |      |      | Schematic |
|----------|---------------|-----------------------------|-----------|----------------------------|-----------------------------------|-----------|----------------|--------------------|------|------|------|-----------|
|          |               | Primary                     | Secondary |                            | Primary                           | Secondary |                | A                  | B    | C    | D    |           |
| 143R     | Driver        | 25000                       | 600 ct    | 1                          | 1890                              | 25        | 30             | 1.26               | 0.69 | 0.69 | 1.06 | 2         |
| 144B     | Output        | 200 ct                      | 3.2       | 10                         | 10                                | 0         | 150            | 1.26               | 0.69 | 0.69 | 1.06 | 3         |
| 144D     | Output        | 300 ct                      | 3.2       | 9                          | 15                                | 0.33      | 150            | 1.26               | 0.69 | 0.69 | 1.06 | 3         |
| 144F     | Output        | 500 ct                      | 3.2       | 6                          | 27                                | 0.33      | 150            | 1.26               | 0.69 | 0.69 | 1.06 | 3         |
| 144G     | Output        | 500 ct                      | 8         | 6                          | 27                                | 0.9       | 150            | 1.26               | 0.69 | 0.69 | 1.06 | 3         |
| 144H     | Output        | 500 ct                      | 50        | 6                          | 28                                | 7.3       | 150            | 1.26               | 0.69 | 0.69 | 1.06 | 3         |
| 144I     | Output        | 600 ct                      | 150 ct    | 6                          | 45                                | 8.2       | 150            | 1.26               | 0.69 | 0.69 | 1.06 | 4         |
| 144P     | Output        | 10000                       | 3.2       | 5                          | 575                               | 0.5       | 50             | 1.26               | 0.69 | 0.69 | 1.06 | 1         |
| 144Q     | Output        | 10000                       | 8         | 5                          | 575                               | 0.9       | 50             | 1.26               | 0.69 | 0.69 | 1.06 | 1         |
| 144S     | Output        | 20000                       | 8         | 3.5                        | 1240                              | 0.9       | 50             | 1.26               | 0.69 | 0.69 | 1.06 | 1         |
| 145A     | Driver        | 100                         | 200 ct    | 45                         | 14                                | 19        | 100            | 1.63               | 0.88 | 0.81 | 1.38 | 2         |
| 145B     | Driver-Output | 600                         | 600       | 18                         | 30                                | 38        | 200            | 1.63               | 0.88 | 0.81 | 1.38 | 1         |
| 145C     | Input         | 50000                       | 1500 ct   | 1                          | 2400                              | 52        | 50             | 1.63               | 0.88 | 0.81 | 1.38 | 2         |
| 145D     | Input         | 200K                        | 1000      | 0.5                        | 3600                              | 33        | 10             | 1.63               | 0.88 | 0.81 | 1.38 | 1         |
| 145E     | Input-Output  | 600 ct                      | 600 ct    | 5                          | 65                                | 83        | 200            | 1.63               | 0.88 | 0.81 | 1.38 | 4         |
| 145F     | Driver        | 600 ct                      | 200 ct    | 20                         | 45                                | 9         | 135            | 1.63               | 0.88 | 0.81 | 1.38 | 4         |
| 145G     | Driver        | 2000                        | 200 ct    | 12                         | 140                               | 9         | 135            | 1.63               | 0.88 | 0.81 | 1.38 | 2         |
| 145H     | Driver        | 2000                        | 500 ct    | 12                         | 148                               | 17        | 135            | 1.63               | 0.88 | 0.81 | 1.38 | 2         |
| 145J     | Driver        | 4000                        | 600 ct    | 8                          | 340                               | 24        | 135            | 1.63               | 0.88 | 0.81 | 1.38 | 2         |
| 145L     | Driver        | 4000                        | 2600 ct   | 8                          | 340                               | 100       | 135            | 1.63               | 0.88 | 0.81 | 1.38 | 2         |
| 145N     | Driver        | 10000                       | 2000 ct   | 5                          | 700                               | 89        | 135            | 1.63               | 0.88 | 0.81 | 1.38 | 2         |
| 145O     | Driver        | 15000                       | 200 ct    | 4                          | 850                               | 10        | 135            | 1.63               | 0.88 | 0.81 | 1.38 | 2         |
| 145P     | Driver        | 20000                       | 1000 ct   | 3.5                        | 1180                              | 50        | 135            | 1.63               | 0.88 | 0.81 | 1.38 | 2         |
| 145R     | Driver        | 20000                       | 2000 ct   | 3.5                        | 1180                              | 89        | 135            | 1.63               | 0.88 | 0.81 | 1.38 | 2         |
| 146B     | Output        | 48 ct                       | 3.2       | 20                         | 2.4                               | 0.3       | 700            | 1.63               | 0.88 | 0.81 | 1.38 | 3         |
| 146C     | Output        | 48 ct                       | 8         | 20                         | 2.4                               | 0.7       | 700            | 1.63               | 0.88 | 0.81 | 1.38 | 3         |
| 146D     | Output        | 100 ct                      | 3.2       | 14                         | 4.4                               | 0.3       | 700            | 1.63               | 0.88 | 0.81 | 1.38 | 3         |
| 146E     | Output        | 100 ct                      | 8         | 14                         | 4.4                               | 0.7       | 700            | 1.63               | 0.88 | 0.81 | 1.38 | 3         |
| 146F     | Output        | 250 ct                      | 3.2       | 8                          | 11                                | 0.3       | 700            | 1.63               | 0.88 | 0.81 | 1.38 | 3         |
| 146G     | Output        | 250 ct                      | 8         | 8                          | 11                                | 0.7       | 700            | 1.63               | 0.88 | 0.81 | 1.38 | 3         |
| 146H     | Output        | 500 ct                      | 3.2       | 6                          | 26                                | 0.3       | 700            | 1.63               | 0.88 | 0.81 | 1.38 | 3         |
| 146I     | Output        | 500 ct                      | 8         | 6                          | 26                                | 0.7       | 700            | 1.63               | 0.88 | 0.81 | 1.38 | 3         |
| 146J     | Output        | 1000 ct                     | 3.2       | 4                          | 56                                | 0.3       | 700            | 1.63               | 0.88 | 0.81 | 1.38 | 3         |
| 146K     | Output        | 1000 ct                     | 8         | 4                          | 56                                | 0.7       | 700            | 1.63               | 0.88 | 0.81 | 1.38 | 3         |
| 146N     | Output        | 2000 ct                     | 8         | 3                          | 97                                | 0.7       | 700            | 1.63               | 0.88 | 0.81 | 1.38 | 3         |
| 146S     | Output        | 4000 ct                     | 8         | 2                          | 220                               | 0.7       | 700            | 1.63               | 0.88 | 0.81 | 1.38 | 3         |

Tags: audio transformer, signal level, chassis mount, open type

Data subject to change without notice

© 2023. Hammond Manufacturing Ltd. All rights reserved.