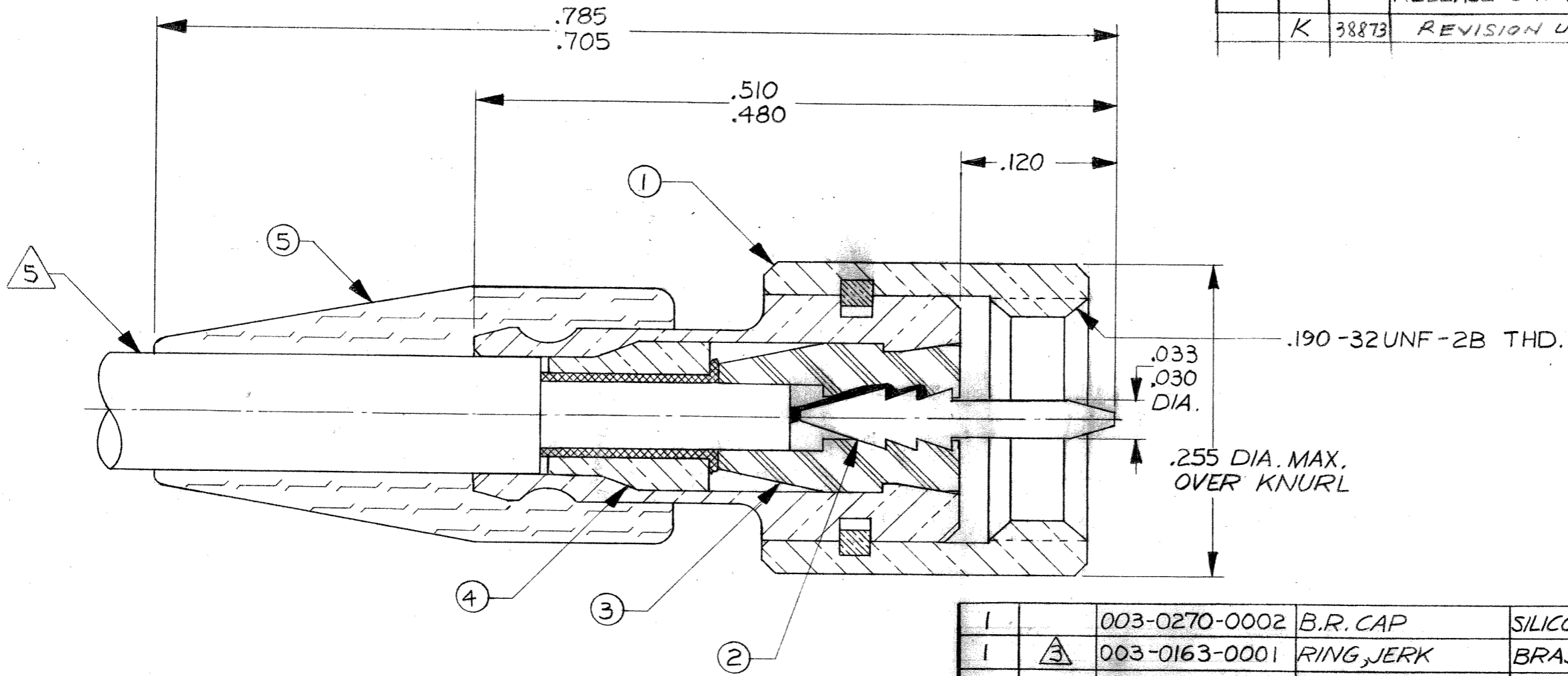


REVISIONS					
ZONE	LTR	ECN	DESCRIPTION	DATE	APPROVED
	J	25602	REV. & REDRAWN. ORIGINAL RELEASE 8-17-64 BY B.T. & J.C.B. <small>CE 2-5-81</small>	2-6-81	<i>MD</i> 2-6-81
	K	38873	REVISION UPDATE	4-22-99	<i>ES</i>



Tyco Dwg 1466115
Micro P/N 03202170022

- NOTES: UNLESS OTHERWISE SPECIFIED
- THIS CONNECTOR MATES WITH ALL JACKS AND RECEPTACLES IN SERIES S-50 AS LISTED IN MALCO CATALOG.
 - FOR ASSEMBLY INSTRUCTIONS SEE RF-ASMB-88. USE MALCO SPECIAL TOOL #010-0003-0000.
 - SILVER PLATE .0002 MIN. PER QQ-S-365, TYPE II, GRADE A.
 - GOLD PLATE PER MIL-G-45204 TYPE II, GRADE C, CLASS 1.
 - CABLE ACCEPTANCE DIMENSIONS:
JACKET: .087 DIA. MAX.
SHIELD: .061 DIA. MAX.
DIELECTRIC: .050 DIA. MAX.
INNER CONDUCTOR: .012 DIA. NOM.

QTY.	FINISH	PART NUMBER	DESCRIPTION	MATERIAL & SPECIFICATION	ITEM NO.
1		003-0270-0002	B.R. CAP	SILICONE RUBBER (RED) PER ZZ-R-765	5
1	△	003-0163-0001	RING, JERK	BRASS PER QQ-B-626	4
1		003-0027-0001	INSULATOR	TEFLON PER L-P-403	3
1	△	003-0359-0002	PIN	BRASS PER QQ-B-626	2
		003-1081-0000	RING, SNAP	BERYLLIUM COPPER PER QQ-C-530	
	△	003-0804-0001	NUT	BRASS PER QQ-B-626	
	△	003-1083-0001	HOUSING	BRASS PER QQ-B-626	
1		003-1084-0001	HOUSING, SUBASSY.		1

PARTS LIST

NEXT ASSY	USED ON	APPLICATION

UNLESS OTHERWISE SPECIFIED DIMENSIONS ARE IN INCHES TOLERANCES ARE: FRACTIONS DECIMALS ANGLES ± .XX ± ± .XXX ± .010		CONTRACT NO.		MALCO A MICRODOT COMPANY, INC. 306 PASADENA AVE., SO. PASADENA, CALIF. 91030	PROD. CODE 931 CODE CDM
MATERIAL NOTED		APPROVALS	DATE		
FINISH NOTED		DRAWN <i>Ortel Proum</i>	2-6-81		
NEXT ASSY		CHECKED <i>Effan</i>	2/6/81		
USED ON		PR. ENG. <i>Noted</i>	2-6-81	PLUG SIZE B CODE IDENT NO. 98278 DRAWING NO. 032-0217-0022	
APPLICATION		APPROVED			
DO NOT SCALE DRAWING		These drawings and specifications are the property of Microdot Inc., are issued in strict confidence and shall not be divulged, be reproduced or copied, or used as the basis for the manufacture or sale of any article without written permission of Microdot Inc.		SCALE	SHEET 1 OF 1