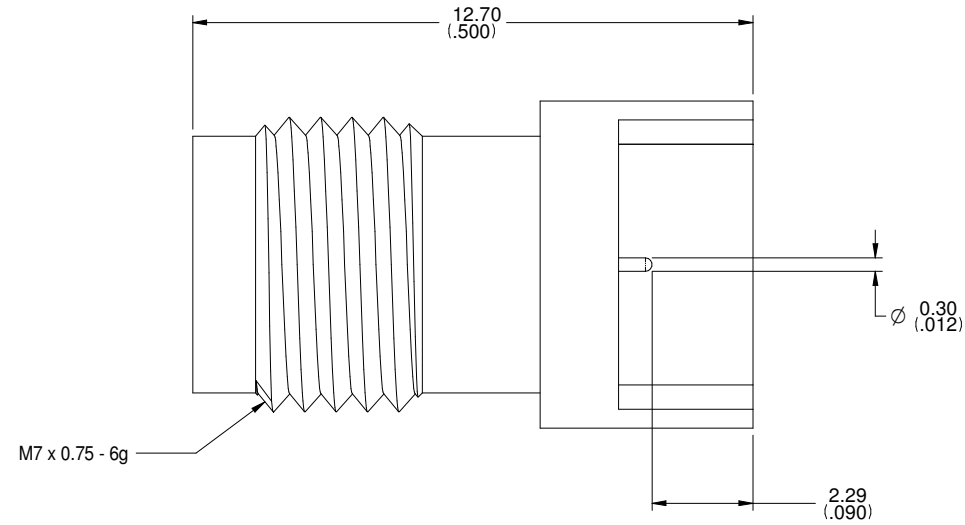


MODEL NUMBER

147-0701-261

REV	ECO	DATE
1	ECO-19-0036	8/22/2019



M7 x 0.75 - 6g

SPECIFICATION:

ELECTRICAL:

IMPEDANCE: 50 OHMS  
 FREQUENCY RANGE: 0-50 GHz  
 VSWR: 1.5 MAX  
 INSERTION LOSS: 0.05  $\sqrt{F}$  dB MAX (F IN GHz)  
 WORKING VOLTAGE: 150 VRMS MAX AT SEA LEVEL  
 DIELECTRIC WITHSTANDING VOLTAGE: 500VRMS MIN AT SEA LEVEL  
 INSULATION RESISTANCE: 5000 MEGOHM MIN  
 CONTACT RESISTANCE:  
     CENTER CONTACT - INITIAL 4 MILLIOHM MAX, AFTER ENVIRONMENTAL NOT APPLICABLE  
     OUTER CONDUCTOR - INITIAL 2.5 MILLIOHM MAX, AFTER ENVIRONMENTAL NOT APPLICABLE  
 RF LEAKAGE: -90dB TYPICAL AT 2.5GHz

MECHANICAL:

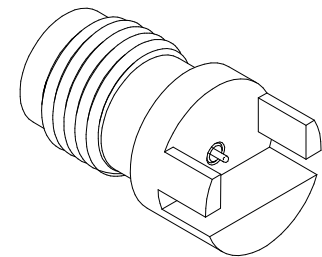
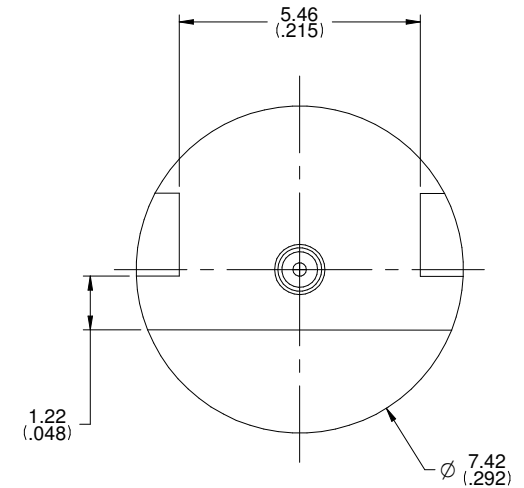
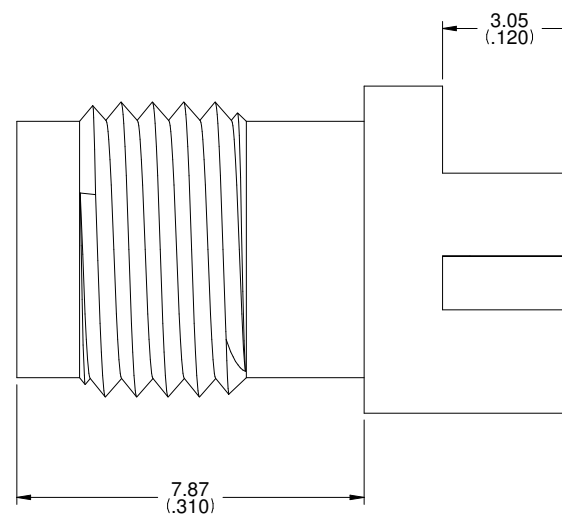
COUPLING TORQUE RECOMMENDED: 0.8 Nm TO 1.1 Nm  
 COUPLING TEST TORQUE: 1.65 Nm  
 DURABILITY: 500 CYCLES MIN

ENVIRONMENTAL:

OPERATING TEMPERATURE: -40 TO 85°C  
 THERMAL SHOCK: IEC 61169-1, SUBCLAUSE 9.4.4  
 CORROSION: IEC 61169-1, SUBCLAUSE 9.4.6  
 SHOCK: IEC 61169-1, SUBCLAUSE 9.3.14  
 VIBRATION: IEC 61169-1, SUBCLAUSE 9.3.3  
 MOISTURE RESISTANCE: IEC 61169-1, SUBCLAUSE 9.4.3

MATERIAL AND FINISH:

BODY: GOLD PLATED BRASS  
 CENTER CONTACT: GOLD PLATED BERYLLIUM COPPER  
 INSULATOR: PTFE (TEFLON)



	Revision SEE NOTE	Model No. 147-0701-261	Manufacturer <b>JOHNSON</b>
	RoHS2 2011/65/EU	Drawing No. 147-0701-261	Title 2.4mm END LAUNCH JACK FOR .042" BOARD DIA .012" PIN
SEE NOTE	Date 5/9/19	Size C	Sheet 1 of 1