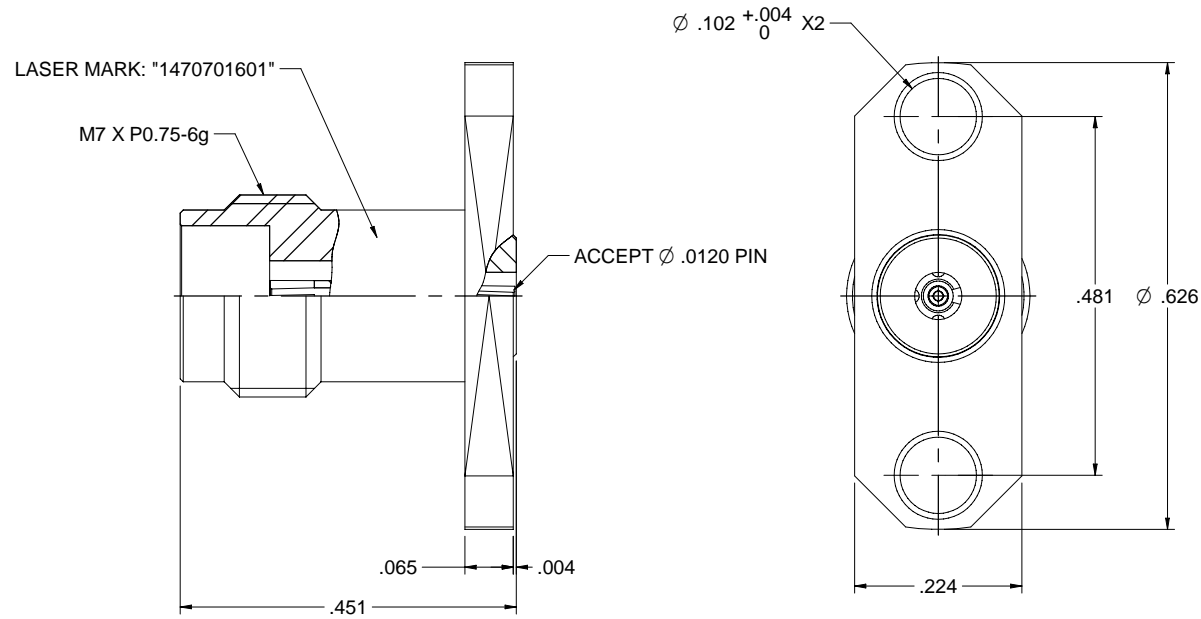


MODEL NO.	PACKAGING
147-0701-601	ONE PCS PER BAG

REV	ECO	DATE
001	ECO-17-0032	11/28/2017



NOTES: UNLESS OTHERWISE SPECIFIED

1. MATERIAL & FINISH:

- 1.1 BODY: PASSIVATED STAINLESS STEEL
- 1.2 CONTACT PIN : GOLD PLATED BERYLLIUM COPPER
- 1.3 INSULATOR: ULTEM 1000 AMBER
- 1.4 LOCK RING: GOLD PLATED BRASS

2. ELECTRICAL:

- 2.1 IMPEDANCE: 50 OHMS
- 2.2 FREQUENCY RANGE: 0-50 GHz
- 2.3 VOLTAGE STANDING WAVE RATIO: 1.2 MAX
- 2.4 CONTACT RESISTANCE:
 - 2.4.1 CENER CONTACT: 4 MILLIOHM MAX
 - 2.4.2 OUTER CONTACT: 2.5 MILLIOHM MAX
- 2.5 INSULATION RESISTANCE: 5000 MOHM MIN
- 2.6 DIELECTRIC WITHSTANDING VOLTAGE: 500 VRMS MIN

3. MECHANICAL:

- 3.1 ENGAGEMENT/ DISENGAGEMENT FORCE: 0.23 NM MAX
- 3.2 CONTACT RETENTION: 20 N MIN
- 3.3 DURABILITY: 500 CYCLES MIN

4. ENVIRONMENT:

- 4.1 THERMAL SHOCK: MIL-STD-202, METHOD 107, CONDITION B.
- 4.2 OPERATING TEMPERATURE: -55 TO 125°C
- 4.3 SALT SPRAY: MIL-STD-202, METHOD 101, CONDITION B
- 4.4 SHOCK: MIL-STD-202, METHOD 213, CONDITION I
- 4.5 VIBRATION: MIL-STD-202, METHOD 204, CONDITION D
- 4.6 MOISTURE RESISTANCE: MIL-STD-202, METHOD 106

	Model No.	147-0701-601	
<small> THE INFORMATION CONTAINED HEREIN IS UNCLASSIFIED EXCEPT WHERE SHOWN OTHERWISE. IT IS THE PROPERTY OF CINCH CONNECTIVITY CORPORATION AND IS TO BE USED ONLY FOR THE PURPOSES SPECIFIED HEREIN. </small>	<small> RoHS2 2011 RE EU </small>	<small> XXXX + 02 XXXXX + 01 ANGLE: 15° </small>	<small> PANEL RECEPTACLE JACK, 2 HOLE FLANGE, ACCEPTS 0.305mm PIN, 2.4mm </small>
<small> DRAWN BY: Betty Yu DATE: 10/19/2017 </small>	<small> DRAWING NO.: 147-0701-601 </small>	<small> DO NOT SCALE DRAWING </small>	<small> REV: 001 SHEET: 1 of 1 </small>