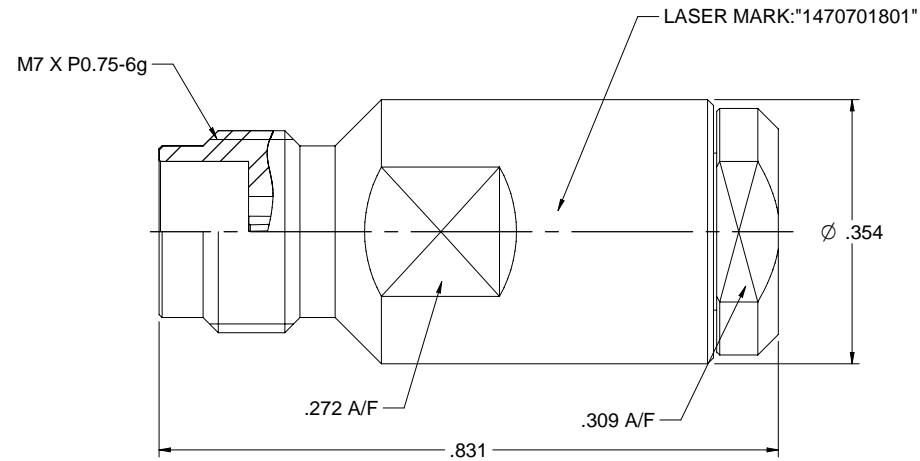


MODEL NO.	PACKAGING
147-0701-801	ONE PCS PER BAG

REV	ECO	DATE
001	ECO-17-0032	11/28/2017



NOTES: UNLESS OTHERWISE SPECIFIED

1. MATERIAL & FINISH:

- 1.1 BODY, BOLT & NUT: PASSIVATED STAINLESS STEEL
- 1.2 CONTACT PIN : GOLD PLATED BERYLLIUM COPPER
- 1.3 INSULATOR: PEEK NATURAL
- 1.4 BODY: GOLD PLATED BRASS
- 1.5 RESISTOR: 50 OHMS ±1% 1/4 W

2. ELECTRICAL:

- 2.1 IMPEDANCE: 50 OHMS
- 2.2 FREQUENCY RANGE: 0-50 GHz
- 2.3 RETURN LOSS: -20DB MAX

3. MECHANICAL:

- 3.1 ENGAGEMENT/ DISENGAGEMENT FORCE: 0.23NM MAX
- 3.2 DURABILITY: 500 CYCLES MIN

4. ENVIRONMENT:

- 4.1 THERMAL SHOCK: MIL-STD-202, METHOD 107, CONDITION B.
- 4.2 OPERATING TEMPERATURE: -55 TO 125°C
- 4.3 SALT SPRAY: MIL-STD-202, METHOD 101, CONDITION B
- 4.4 SHOCK: MIL-STD-202, METHOD 213, CONDITION I
- 4.5 VIBRATION: MIL-STD-202, METHOD 204, CONDITION D
- 4.6 MOISTURE RESISTANCE: MIL-STD-202, METHOD 106

	Model No.	147-0701-801	<b>Johnson</b>	
	RoHS21 2011/65/EU		Part#	TERMINATION JACK.50
	2011/65/EU		OHMS.2.4mm	Rev.
	2011/65/EU		Drawing No.	147-0701-801
	2011/65/EU		Drawn by	Betty Yu
	2011/65/EU		Date	10/19/2017
	2011/65/EU		SIZE	C
	2011/65/EU		DO NOT SCALE DRAWINGS	NONE
	2011/65/EU		Sheet	1 of 1