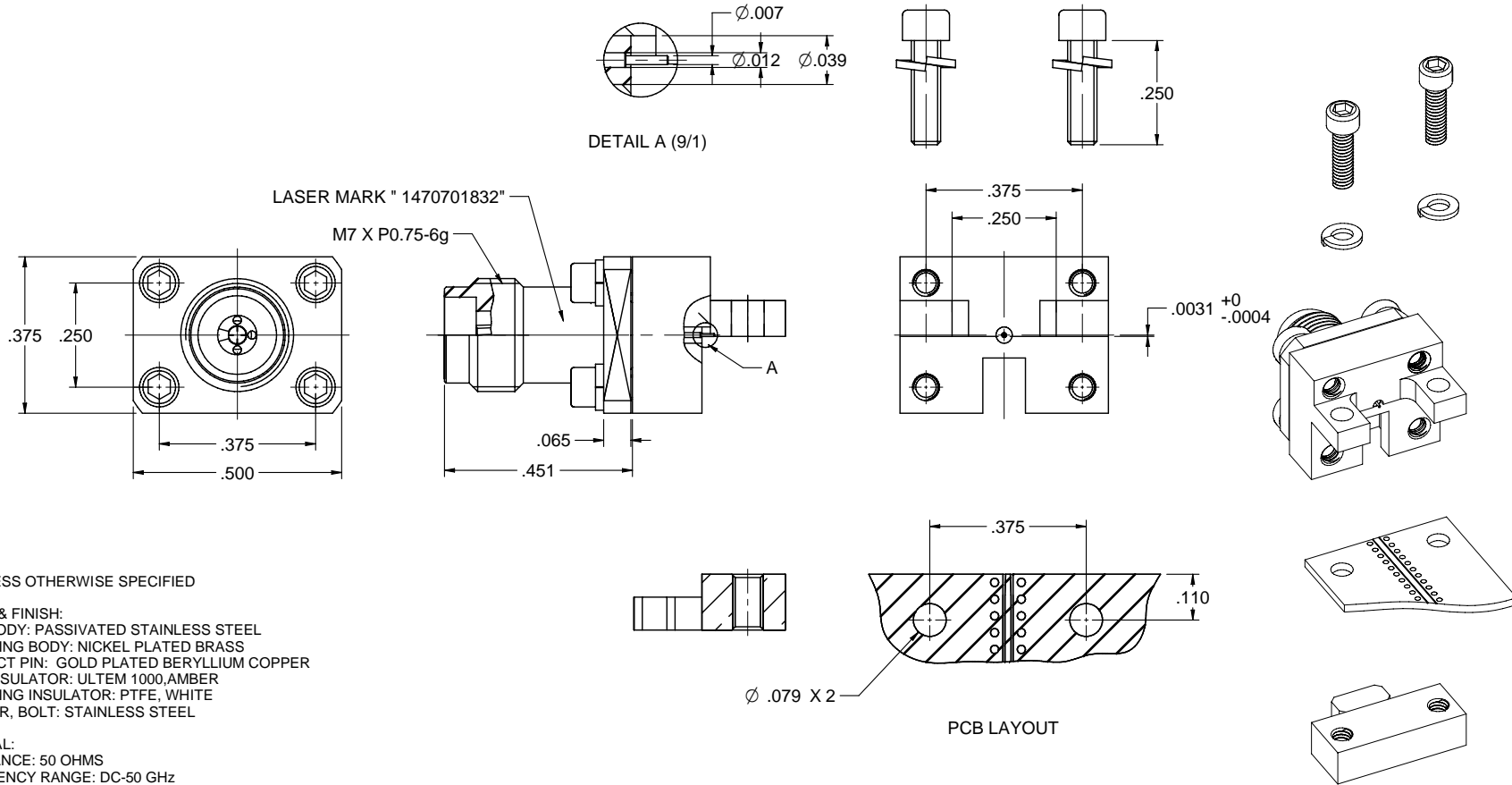


MODEL NO.	PACKAGING
147-0701-832	ONE PCS PER BAG

REV	ECO	DATE
001	ECO-19-0007	08/28/2019



NOTES: UNLESS OTHERWISE SPECIFIED

1. MATERIAL & FINISH:
 - 1.1 MAIN BODY: PASSIVATED STAINLESS STEEL
 - 1.2 MOUNTING BODY: NICKEL PLATED BRASS
 - 1.3 CONTACT PIN: GOLD PLATED BERYLLIUM COPPER
 - 1.4 MAIN INSULATOR: ULTEM 1000, AMBER
 - 1.5 MOUNTING INSULATOR: PTFE, WHITE
 - 1.6 WASHER, BOLT: STAINLESS STEEL
2. ELECTRICAL:
 - 2.1 IMPEDANCE: 50 OHMS
 - 2.2 FREQUENCY RANGE: DC-50 GHz
 - 2.3 RETURN LOSS: -20DB MAX
 - 2.4 DIELECTRIC WITHSTANDING VOLTAGE: 500 VRMS MIN
 - 2.5 CONTACT RESISTANCE:
 - 2.5.1 CENTER CONTACT: 4 MILLIOHMS MAX
 - 2.5.2 OUTER CONTACT: 2.5 MILLIOHMS MAX
3. MECHANICAL:
 - 3.1 DURABILITY: 500CYCLES MIN
4. ENVIRONMENT:
 - 4.1 OPERATING TEMPERATURE: -55 TO 125°C
 - 4.2 THERMAL SHOCK: MIL-STD-202, METHOD 107, CONDITION B.
 - 4.3 SHOCK: MIL-STD-202, METHOD 213, CONDITION I
 - 4.4 VIBRATION: MIL-STD-202, METHOD 204, CONDITION D
 - 4.5 MOISTURE RESISTANCE: MIL-STD-202, METHOD 106
 - 4.6 SALT SPRAY: MIL-STD-202, METHOD 101, CONDITION B

	Model No. 147-0701-831/840	Johnson	
	RoHS2 2011/65/EU	Title: END LAUNCH JACK SCREW-ON TYPE LOW PROFILE 2.4mm, 0.007" PIN	Rev: 001
Drawing No. 147-0701-831/840	Date: 08/28/2019	Drawing By: Betty Yu	Drawing Scale: NONE
Sheet 1 of 1	DO NOT SCALE DRAWING	NONE	NONE