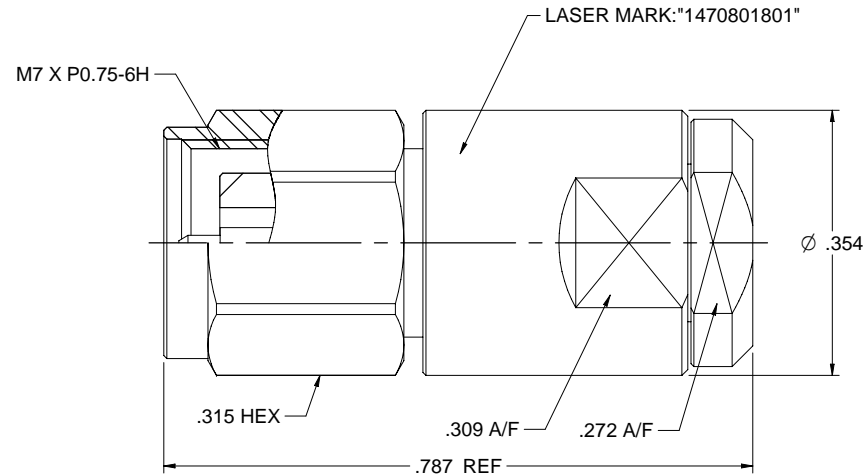


MODEL NO.	PACKAGING
147-0801-801	ONE PCS PER BAG

REV	ECO	DATE
001	ECO-17-002	11/28/2017



NOTES: UNLESS OTHERWISE SPECIFIED

1. MATERIAL & FINISH:

- 1.1 BODY, BOLT, SHELL & NUT: PASSIVATED STAINLESS STEEL
- 1.2 CONTACT PIN : GOLD PLATED BERYLLIUM COPPER
- 1.3 INSULATOR: PEEK NATURAL
- 1.4 C RING: BERYLLIUM COPPER
- 1.5 GASKET: SILICONE RED
- 1.6 RESISTOR: 50 OHMS $\pm 1\%$ 1/4 W

2. ELECTRICAL:

- 2.1 IMPEDANCE: 50 OHMS
- 2.2 FREQUENCY RANGE: 0-50 GHz
- 2.3 RETURN LOSS: -20DB MAX

3. MECHANICAL:

- 3.1 ENGAGEMENT/ DISENGAGEMENT FORCE: 0.23 NM MAX
- 3.2 COUPLING PROOF TORQUE: 1.65 NM MIN
- 3.3 COUPLING NUT RETENTION: 267 N MIN
- 3.4 DURABILITY: 500 CYCLES MIN

4. ENVIRONMENT:

- 4.1 THERMAL SHOCK: MIL-STD-202, METHOD 107, CONDITION B.
- 4.2 OPERATING TEMPERATURE: -55 TO 125°C
- 4.3 SALT SPRAY: MIL-STD-202, METHOD 101, CONDITION B
- 4.4 SHOCK: MIL-STD-202, METHOD 213, CONDITION I
- 4.5 VIBRATION: MIL-STD-202, METHOD 204, CONDITION D
- 4.6 MOISTURE RESISTANCE: MIL-STD-202, METHOD 106

	Model No. 147-0801-801	Johnson	
	RoHS2 2011/65/EU	Title: TERMINATION PLUG, 50 OHMS, 2.4mm	Rev. 001
Drawn by: Betty Yu Date: 10/19/2017	Drawing No. 147-0801-801	Size: C DO NOT SCALE DRAWING	Sheet 1 of 1