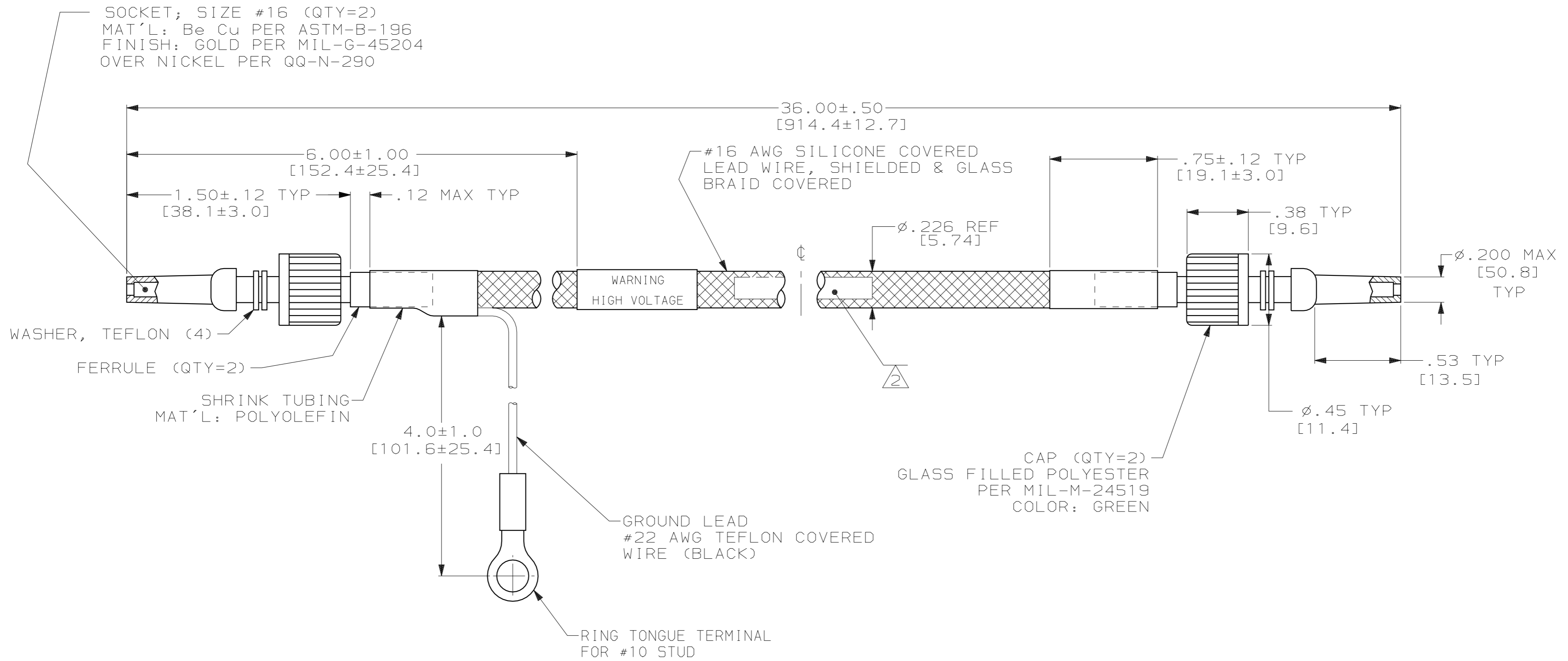


THIS DRAWING IS UNPUBLISHED. RELEASED FOR PUBLICATION
 BY AMP INCORPORATED. ALL RIGHTS RESERVED.

LOC	DIST	REVISIONS			
P	LTR	DESCRIPTION	DATE	DWN	APVD
DF	SO				
0		RELEASED	4-01	CT	DE



- OPERATING VOLTAGE: 10 KVDC AT 0 TO 70,000 FEET, -55°C TO 125°C.
- MARKED PER MIL-STD-130 WITH BLACK INK.
- LEAD COLOR IS WHITE UNLESS OTHERWISE SPECIFIED.
- LEAD WILL MATE WITH AMP 1/2 RECEPTACLE WITH .53 [13.5] BARREL DEPTH.

1484224-1
PART NO.

THIS DRAWING IS A CONTROLLED DOCUMENT.		DWN	C.C. THOMAS	4-12-01
DIMENSIONS: INCHES [mm]		CHK	D. EABY	4-12-01
TOLERANCES UNLESS OTHERWISE SPECIFIED:		APVD	D. EABY	4-12-01
0 PLC	±-	PRODUCT SPEC	-	
1 PLC	±-	APPLICATION SPEC	-	
2 PLC	±.02 [0.5]	WEIGHT	-	
3 PLC	±-	CUSTOMER DRAWING	-	
4 PLC	±-	SCALE	2:1	
ANGLES	±-	SHEET	1 OF 1	
MATERIAL	SEE CALLOUTS	FINISH	SEE CALLOUTS	
MATERIAL		CAGE CODE		DRAWING NO
SEE CALLOUTS		A2 00779		1484224
SEE CALLOUTS		RESTRICTED TO		-
SEE CALLOUTS		REV		0

AMP TYCO Electronics Corporation
Harrisburg, PA 17105-3608

LEAD ASSY, DBL END, SHIELDED, LGH-1/2