

© - TE Connectivity. All Rights Reserved.

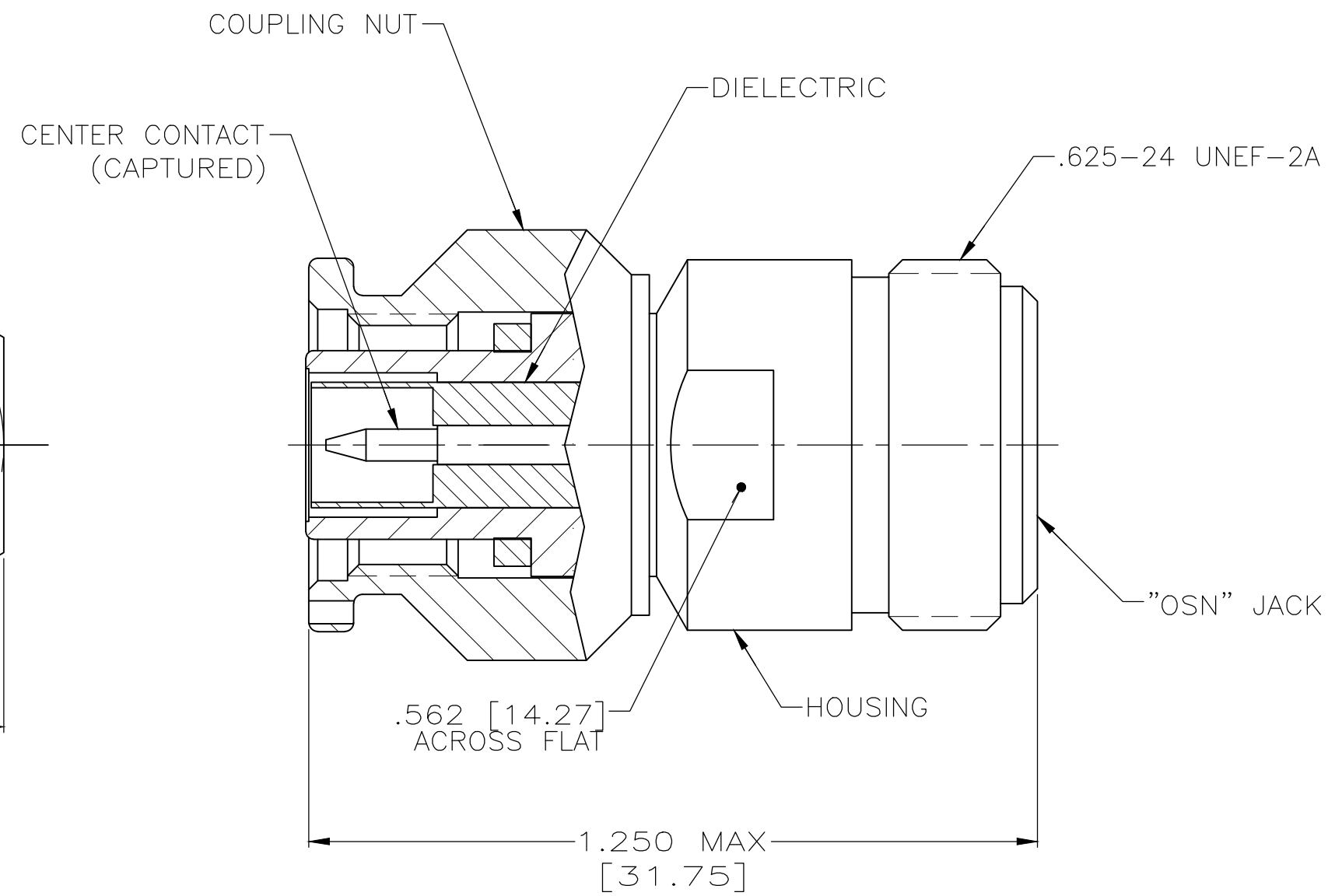
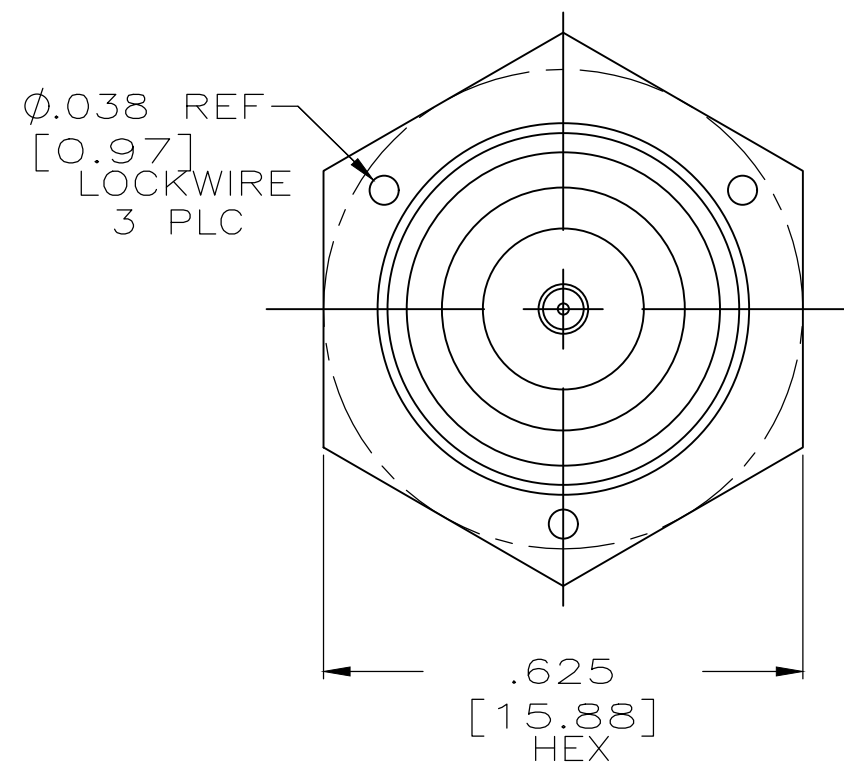
REVISIONS

COMPONENT	MATERIAL	FINISH
HOUSING COUPLING NUT	STAINLESS STEEL PER ASTM-A-484 OR ASTM-A-582 TYPE 303	PASSIVATED PER QQ-P-35
DIELECTRIC	PTFE FLUORCARBON PER ASTM-D-1457	-
CENTER CONTACT	BERYLLIUM COPPER PER ASTM-B-196 OR ASTM-B-197 ALLOY C17300, CONDITION H	GOLD PLATED PER ASTM-B-488

P	LTR	DESCRIPTION	DATE	DWN	APVD
	A	REV PER ECO 20-003322	5-12-20	CT	FB

ELECTRICAL

NORMAL IMPEDANCE (OHMS):	50
FREQUENCY RANGE (GHz):	DC TO 18.0
VOLT RATING @ SEA LEVEL (VRMS MAX):	500
VSWR:	1.2:1 MAX up to 10GHz
INSERTION LOSS: (dB MAX):	0.4
RF HIGH POTENTIAL VOLTAGE:	1,000 V _{rm} MIN
INSULATION RESISTANCE:	5,000 MegaOhm MIN
WORKING VOLTAGE:	500 V _{rm} @ SEA LEVEL
DWV:	1,500 V _{rm} MIN AT SEA LEVEL
CORONA LEVEL:	375 V MIN AT 70,000 FEET
TEMPERATURE RATING:	-65°C TO +165°C



1484244-1
PART NO.

THIS DRAWING IS A CONTROLLED DOCUMENT.		DWN	9-5-01		
		CHK	9-5-01		
		APVD	9-5-01		
		PRODUCT SPEC			
DIMENSIONS: INCHES [mm]		TOLERANCES UNLESS OTHERWISE SPECIFIED:		NAME OSN JACK TO OST PLUG ADAPTER	
		0 PLC	± -	SIZE	
		1 PLC	± -	CAGE CODE	00779
		2 PLC	± -	DRAWING NO	C=1484244
		3 PLC	± .010 [0.25]	RESTRICTED TO	-
MATERIAL SEE TABLE		FINISH SEE TABLE		WEIGHT	0.000000
				CUSTOMER DRAWING	SCALE 4:1
				SHEET	1 of 1
				REV	A