

THIS DRAWING IS UNPUBLISHED. RELEASED FOR PUBLICATION
 (C) COPYRIGHT 19 BY AMP INCORPORATED. ALL RIGHTS RESERVED.

LOC	DIST	REVISIONS			
P	LTR	DESCRIPTION	DATE	DWN	APVD
DF	XO	0	RELEASED	10-01	CT RG

COMPONENT	MATERIAL	FINISH
HOUSING CLAMP NUT COUPLING NUT	STAINLESS STEEL PER ASTM-A-484 OR ASTM-A-582 TYPE 303	PASSIVATED PER QQ-P-35
DIELECTRIC	PTFE FLUORCARBON PER ASTM-D-1457	-
CENTER CONTACT	BERYLLIUM COPPER PER ASTM-B-196 OR ASTM-B-197 ALLOY C17300, CONDITION H	GOLD PLATED PER ASTM-B-488
INNER SLEEVE	BRASS PER ASTM-B-16 1/2 HARD	GOLD PLATED PER ASTM-B-488
RETAINING RING	BERYLLIUM COPPER PER ASTM-B-196 OR ASTM-B-197 ALLOY C17300, CONDITION H	NICKEL PLATED PER QQ-N-290
"O"-RING GASKET	SILICONE RUBBER PER ZZ-R-765	-
SHRINK TUBING	HEAT SHRINKABLE POLYOLEFIN COMPOUND PER MIL-I-23053/4	-
FERRULE	COPPER OR BRASS ALLOY ROCKWELL F65 MAX	GOLD PLATED PER ASTM-B-488

ENVIRONMENTAL

TEMPERATURE RATING: -65°C TO +125°C
 VIBRATION: MIL-STD-202, METHOD 204, CONDITION B
 SHOCK: MIL-STD-202, METHOD 213, CONDITION 1
 MOISTURE RESISTANCE: MIL-STD-202, METHOD 106
 CORROSION: MIL-STD-202, METHOD 101, CONDITION B. 5% SALT SPRAY
 THERMAL SHOCK: MIL-STD-202, METHOD 107, CONDITION B EXCEPT HIGH TEMP 115°C

MECHANICAL

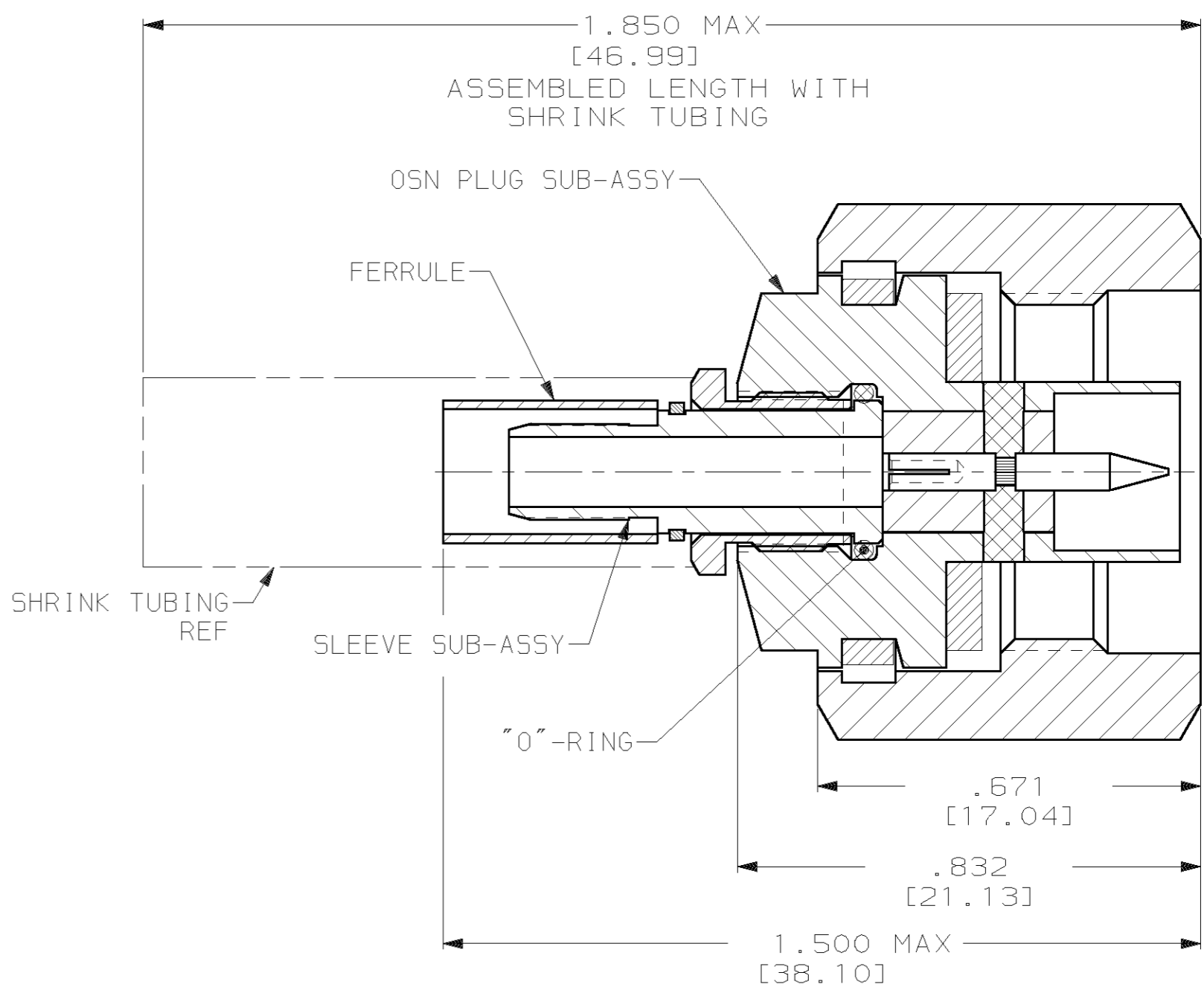
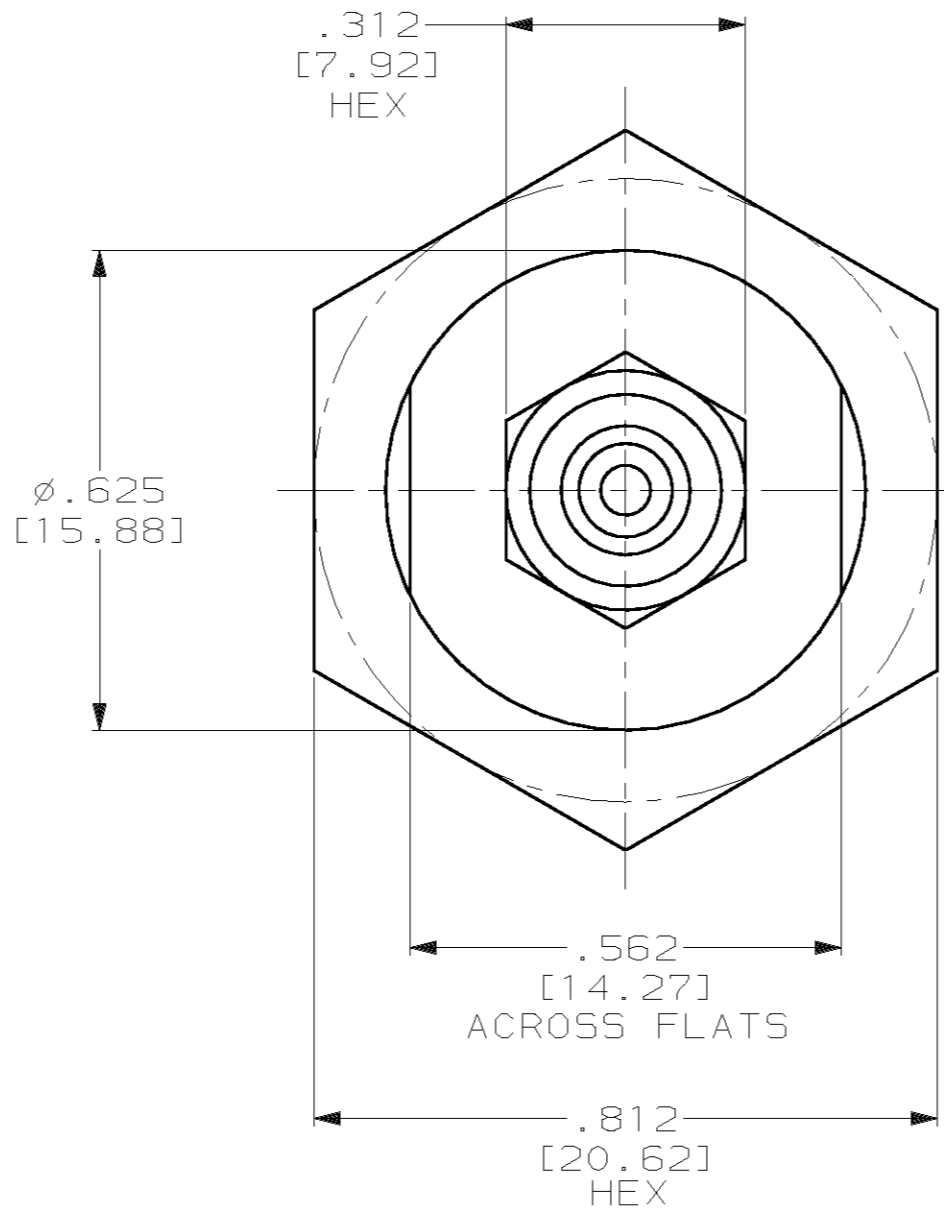
INTERFACE DIMENSIONS: MIL-STD-348A FIG. 304.2
 RECOMMENDED MATING TORQUE: N/A
 FORCE TO ENGAGE & DISENGAGE (IN-LBS MAX.): 6.0
 WEIGHT (GRAMS): 15
 MATING CHARACTERISTICS: INSERTION (MAX LBS): 2.0
 WITHDRAWAL (MIN OZ): 2.0
 CABLE RETENTION: AXIAL FORCE (LBS): 45 MIN
 TORQUE (IN-OZ): N/A
 CENTER CONTACT CAPTIVATION: AXIAL (LBS): 6.0
 RADIAL (IN-OZ): 4.0

ELECTRICAL

NORMAL IMPEDANCE (OHMS): 50
 FREQUENCY RANGE (GHz): DC TO 18
 VOLT RATING @ SEA LEVEL (VRMS MAX): 250
 VSWR: 1.07+.007F (GHz)
 INSERTION LOSS: (dB MAX): .04 √F (GHz)
 RF LEAKAGE (dB MIN): -[90-F (GHz)]
 CORONA 70,000 FT (VRMS MIN): 190
 DIELECTRIC WITHSTANDING VOLTAGE (VRMS MIN) AT SEA LEVEL: 750
 I.R. (MEGOHMS MIN): 5000
 RF HIGH POTENTIAL AT SEA LEVEL (VRMS MIN @ 5 MHz): 500
 CONTACT RESISTANCE (MILLIOHMS MAX):
 CENTER CONTACT: 1.5
 OUTER CONTACT: 2.0
 CABLE TO HOUSING: 0.5



SHRINK TUBING



1484438-1
PART NO.

DESIGNED TO USE WITH SF-142 CABLE CABLE ENTRY DIAMETER MIN
 FERRULE: .216
 SLEEVE: .121
 CONTACT: .038

THIS DRAWING IS A CONTROLLED DOCUMENT.		DWN	C.C. THOMAS	10-19-01	tyco Electronics	TYCO Electronics Corporation Harrisburg, PA 17105-3608
DIMENSIONS: INCHES [mm]		CHK	R. GROSS	10-19-01		
TOLERANCES UNLESS OTHERWISE SPECIFIED:		APVD	R. GROSS	10-19-01	NAME	
0 PLC ±-		PRODUCT SPEC		OSN PLUG TO SF-142 CABLE SOLDER ATTCHMENT		
1 PLC ±-		USE ASSEMBLY PROCEDURE:		SIZE		
2 PLC ±-		A.P. 560		CAGE CODE		
3 PLC ±.005 [0.13]		WEIGHT		DRAWING NO		
4 PLC ±-		SEE TABLE		RESTRICTED TO		
ANGLES ±-		CUSTOMER DRAWING		SCALE		
MATERIAL SEE TABLE		FINISH SEE TABLE		SHEET		
		SCALE 4:1		REV		
		SHEET 1 OF 1		REV 0		