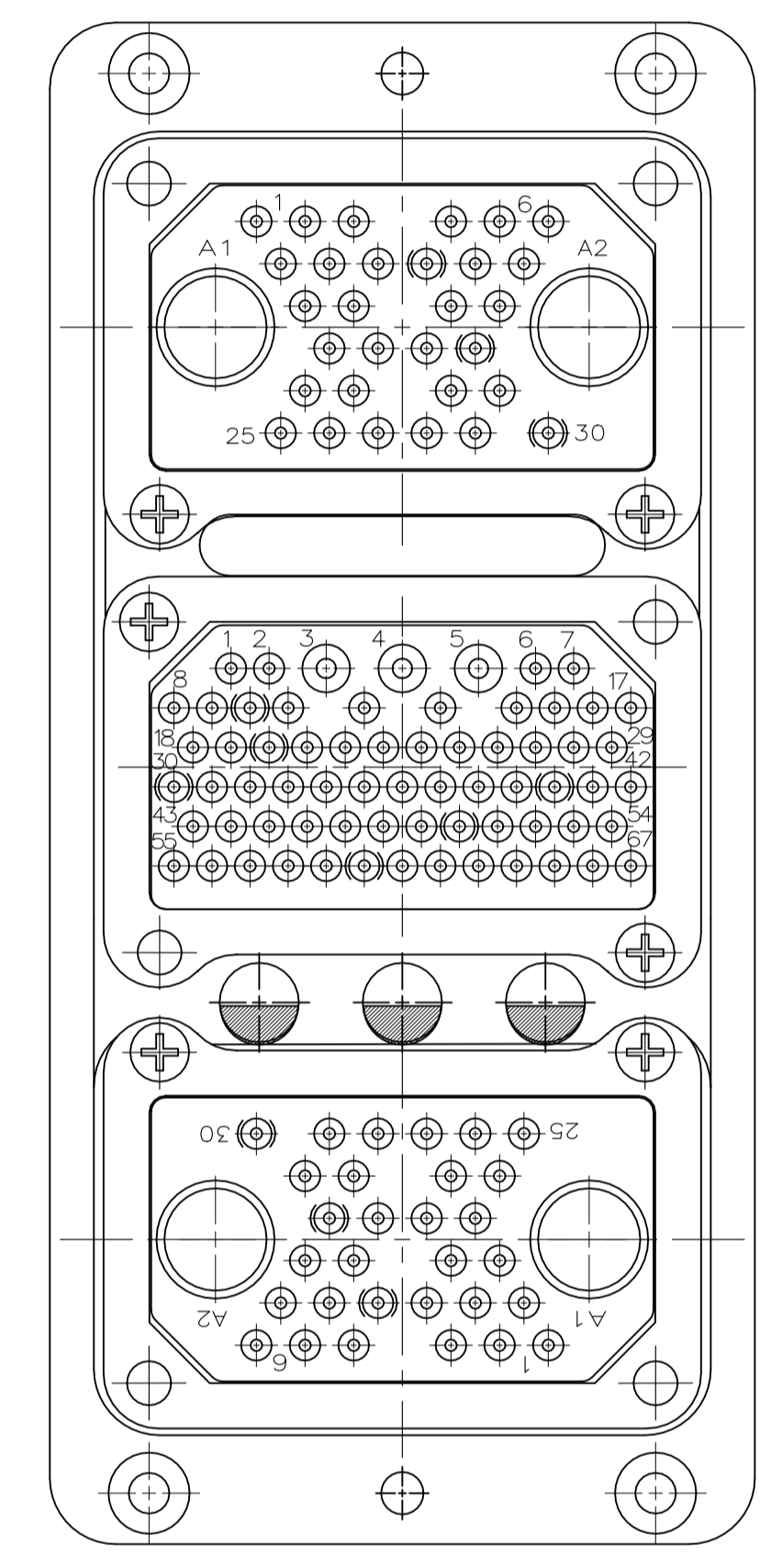
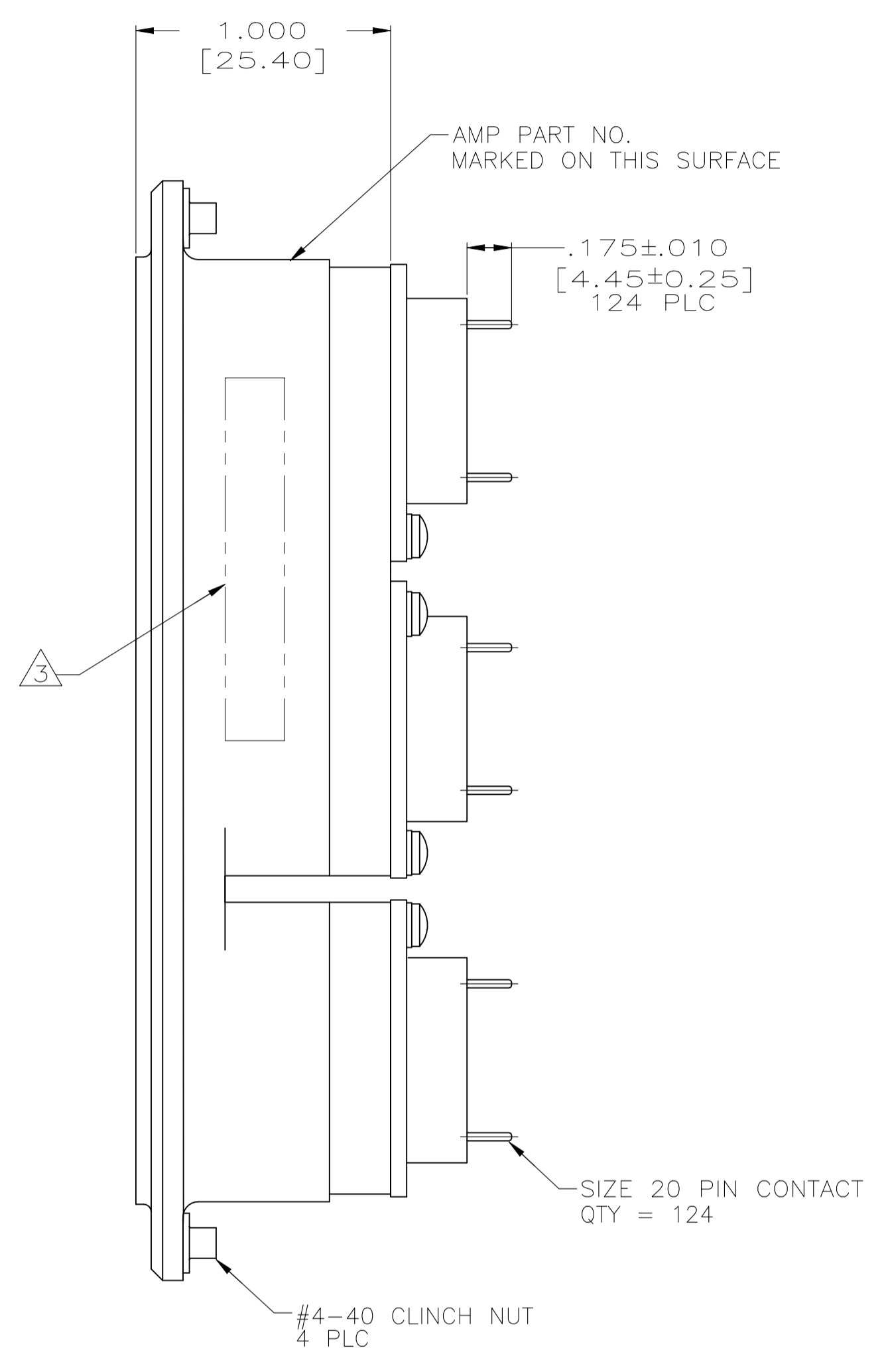
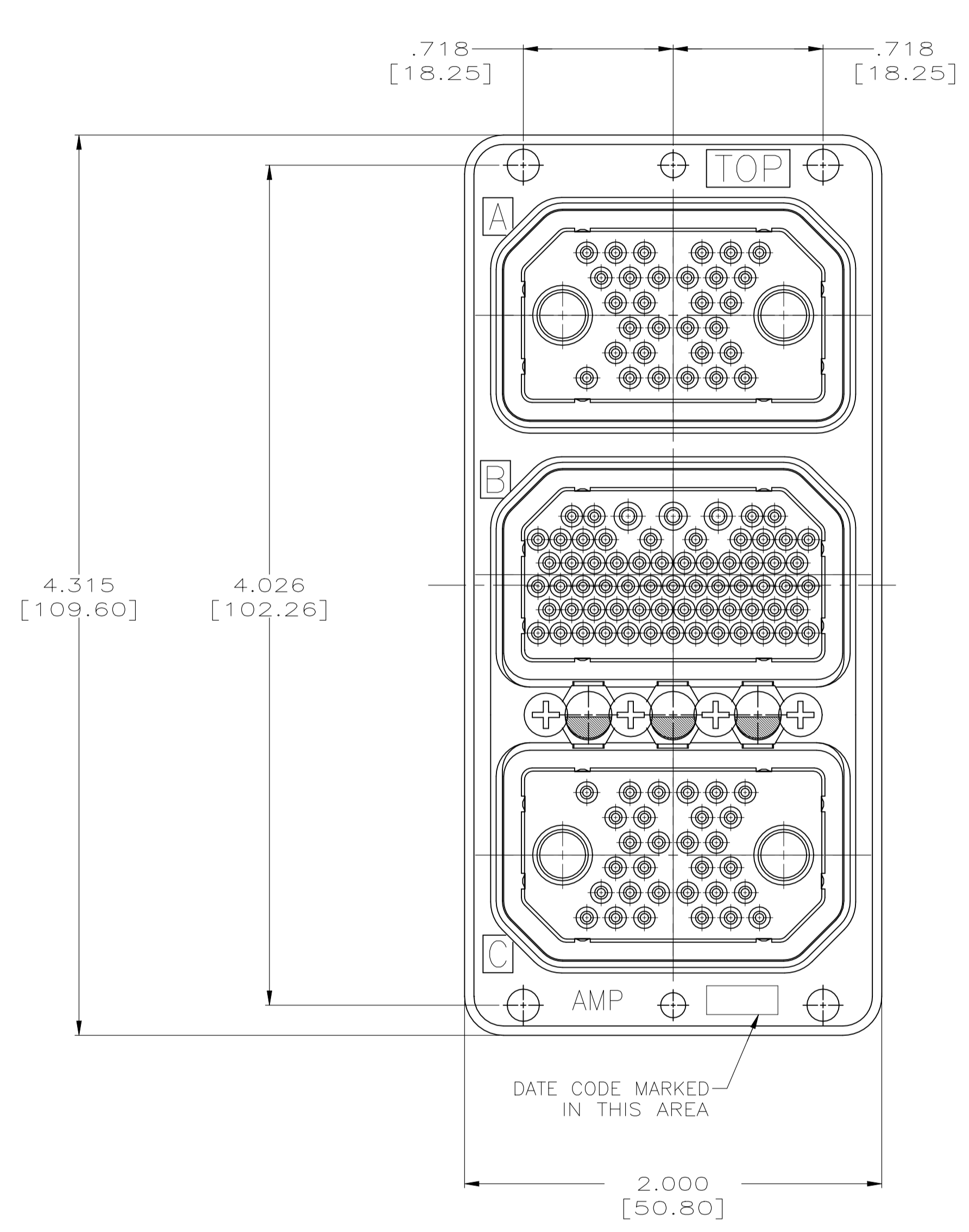


REVISIONS				
P	LTR	DESCRIPTION	DATE	APPV
A		REV PER ECO 20-007007	2-12-20	CT RL



- △ MATERIAL AND FINISH:
 SHELL: DIE CAST ALUMINUM PER FED. SPEC QQ-A-591 OR ASTM B211 6061-T6/6511 OR ASTM B209 2024-T4/T351
 STANDARD FINISH: CADMIUM PLATE PER QQ-P-416, TYPE I, CLASS 2 YELLOW CHROMATE CONVERSION.
 INSERT RETENTION PLATE: ALUMINUM ALLOY, BLUE ANODIZE PER MIL-A-8625.
 SCREWS AND WASHERS: STAINLESS STEEL, PASSIVATED.
 POLARIZING POSTS: STAINLESS STEEL, PASSIVATED.
 POLARIZING NUTS: BRASS, CADMIUM PLATED.
2. KEYING IS SET IN POSITION "01".
- △ 921121-1, REV B AND DATE CODE XXYY, (WHERE XX = WEEK, YY = YEAR) MARKED IN APPROX AREA SHOWN WITH .047 [1.19] MIN HIGH CHARACTERS.

615040	1484650-1
AIRSHOW	PART NO.
PART NO. REF	PART NO.

THIS DRAWING IS A CONTROLLED DOCUMENT.

DIMENSIONS: INCHES	TOLERANCES UNLESS OTHERWISE SPECIFIED:	DIN C.C.THOMAS 7-30-03	7-30-03
0 PLC ± -	1 PLC ± -	CHK D.FABY 4-26-06	4-26-06
2 PLC ± -	3 PLC ± .010 [0.25]	APPV D.FABY 4-28-06	4-28-06
4 PLC ± -	ANGLES ± -	NAME	NAME
MATERIAL	FINISH	APPLICATION SPEC	APPLICATION SPEC
		SIZE	CAGE CODE
		WEIGHT	DRAWING NO
		0.000000	A1 00779
		CUSTOMER DRAWING	1484650

RESTRICTED TO

SCALE 2:1 SHEET 1 of 1 REV A