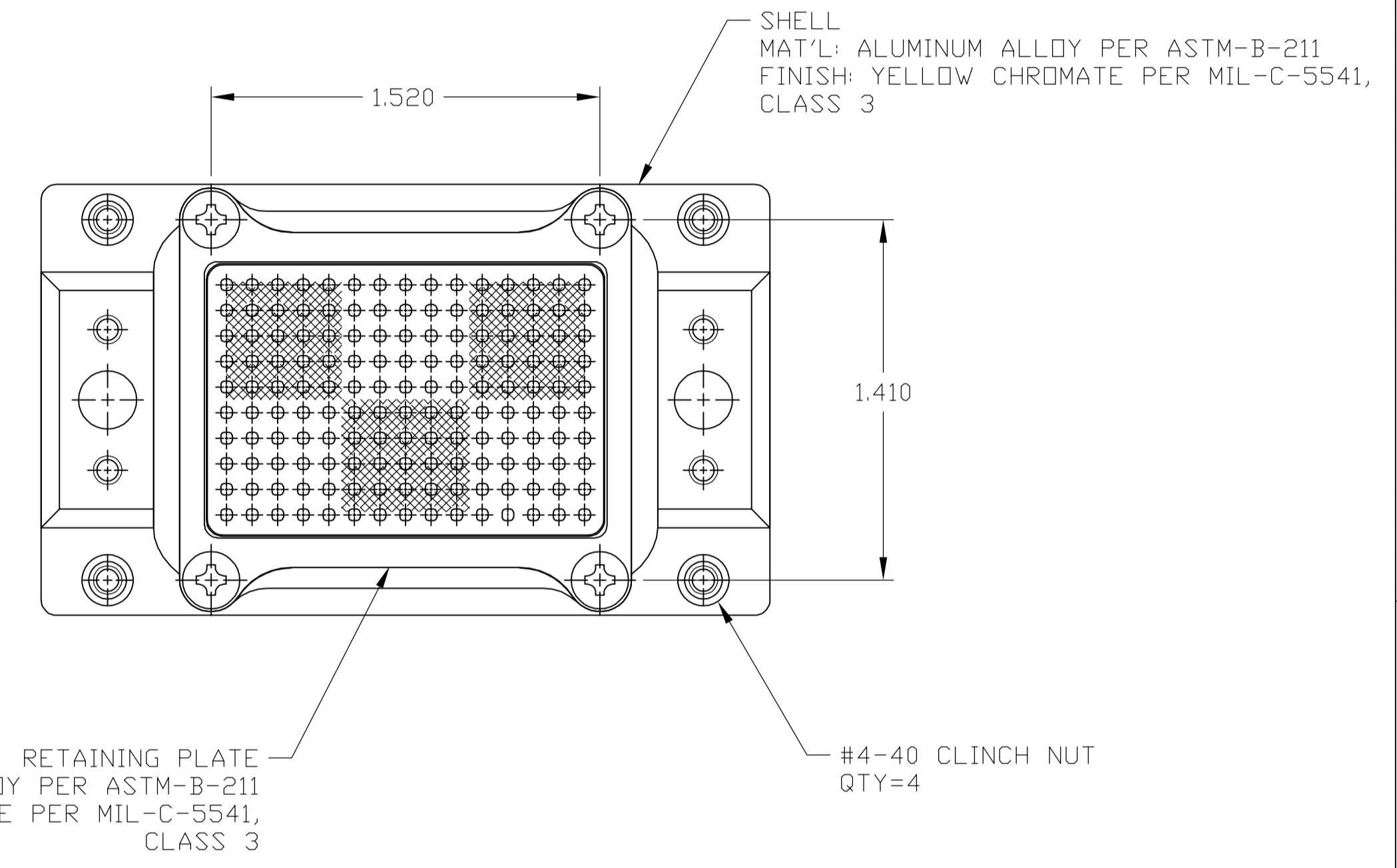
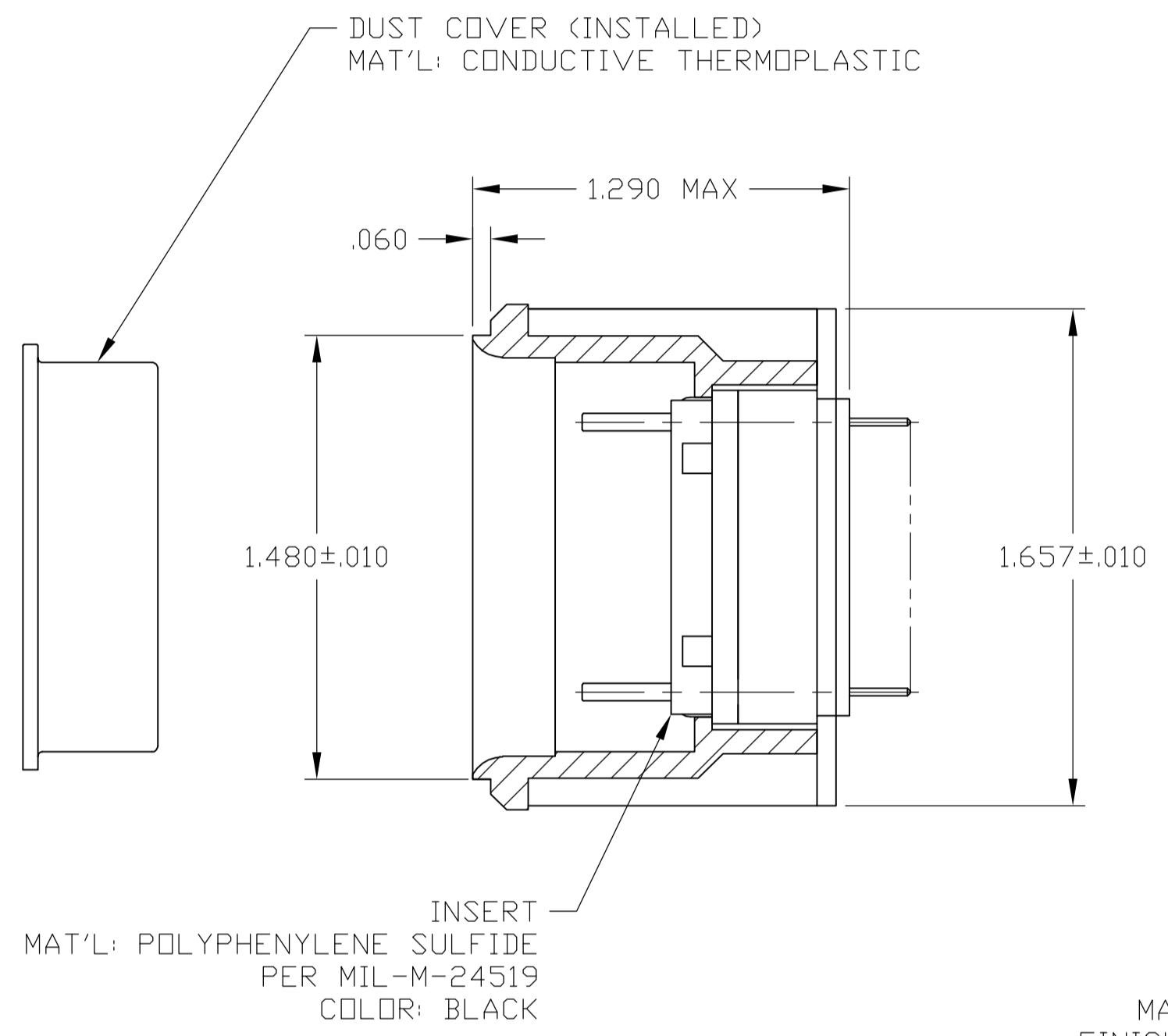
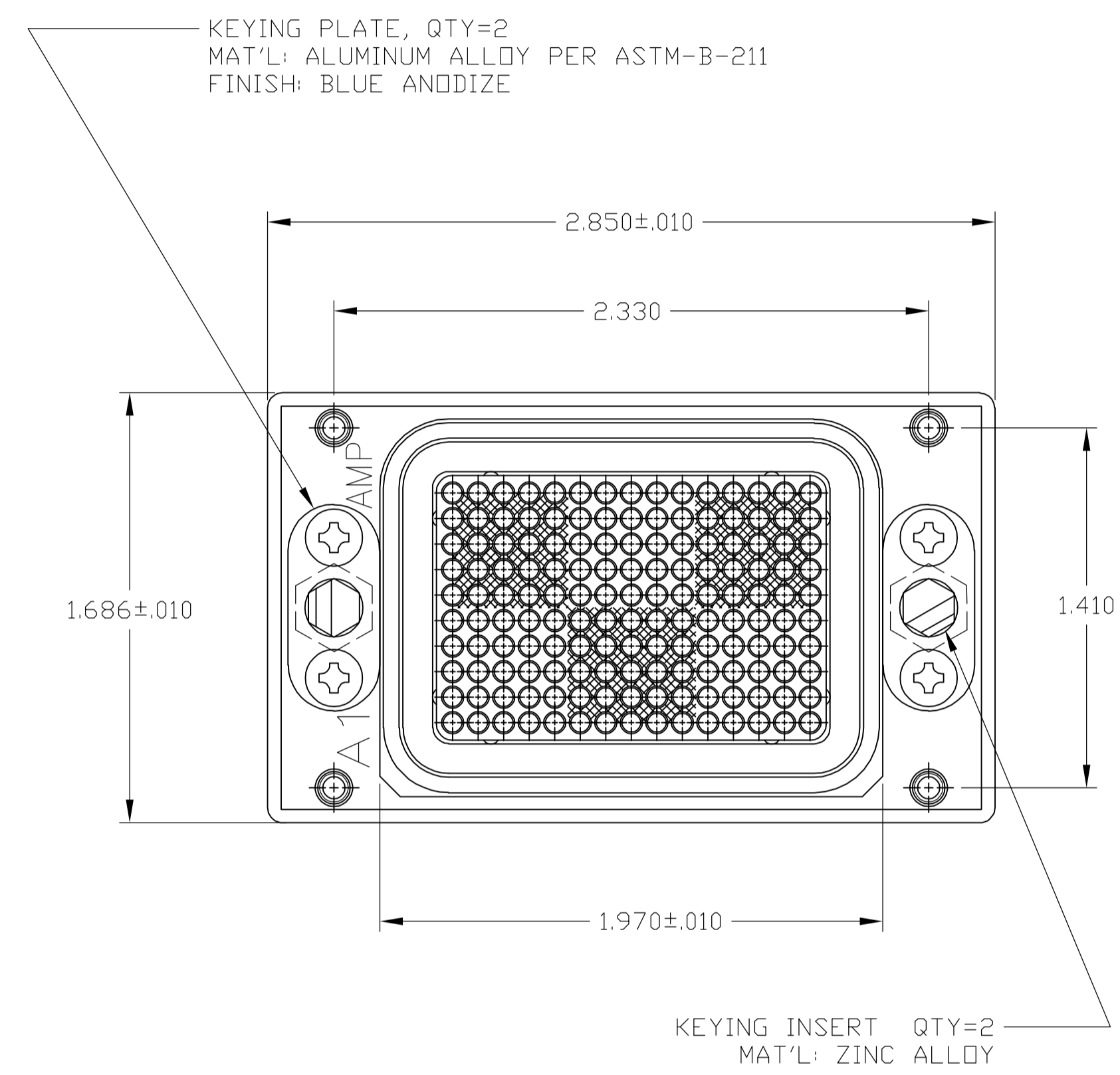


LOC	DIST	REVISIONS				
DF	AO	REV	DESCRIPTION	DATE	OWN	APVD
		C	REV PER 0G3D-0439-03	10-03	CT	SG



- KEYING ASSEMBLED IN POSITION PER TABLE. FOR KEYING "00" HARDWARE IS SUPPLIED UNASSEMBLED.
- CONTACT PART NUMBERS LOADED IN CONNECTOR: (-1 ONLY)
 (SOLDER POSTS ARE SOLDER COATED)
 SIZE 22 SOCKET CONTACT (150) AMP P/N 1-211431-3.

KEYING POSITION	REMARKS	PART NO.
00	-	1484791-2
10		1484791-1

THIS DRAWING IS A CONTROLLED DOCUMENT.

DW: C.C.THOMAS CHK: S.GLATFELTER APVD: S.GLATFELTER	16MAY2002 5-17-02 5-17-02	tyco Electronics	Tyco Electronics Corporation Harrisburg, Pa. 17105
DIMENSIONS: INCHES	TOLERANCES UNLESS OTHERWISE SPECIFIED: 0 PLC ± - 1 PLC ± - 2 PLC ± - 3 PLC ± .005 4 PLC ± - ANGLES ± -	PRODUCT SPEC APPLICATION SPEC	RCPT ASSY,SINGLE MOD,FRONT RELEASE 150 POSN,ARINC 600
MATERIAL SEE CALLOUTS	FINISH SEE CALLOUTS	WEIGHT -	SIZE: A1 CAGE CODE: 00779 DRAWING NO: 1484791 RESTRICTED TO: -
CUSTOMER DRAWING		SCALE: 2:1	SHEET 1 OF 1 REV C