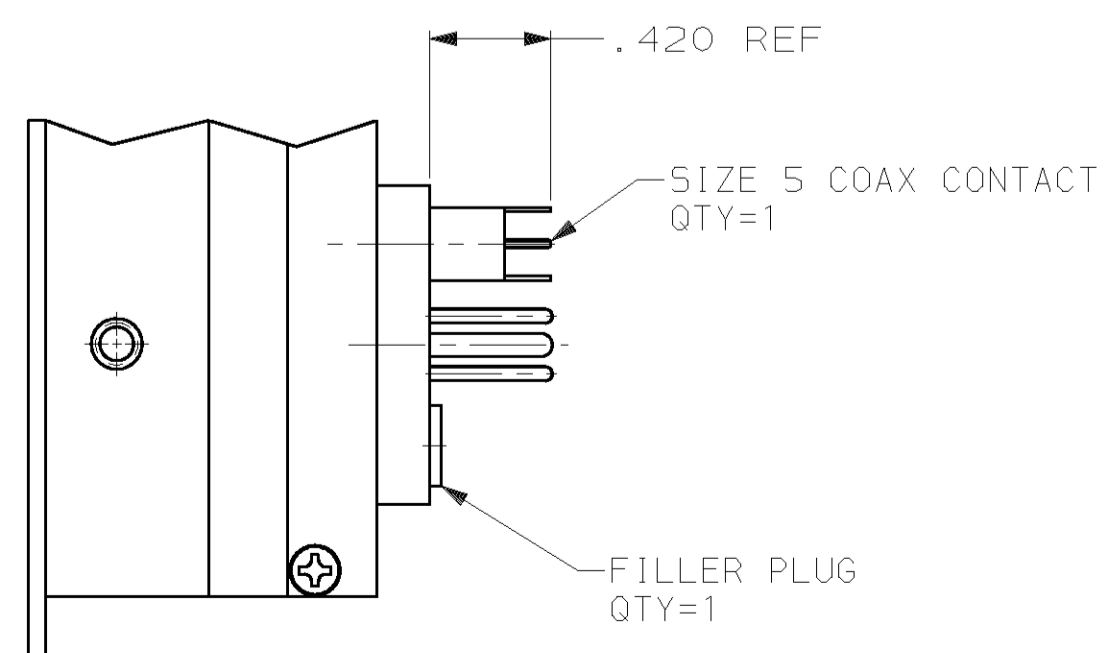
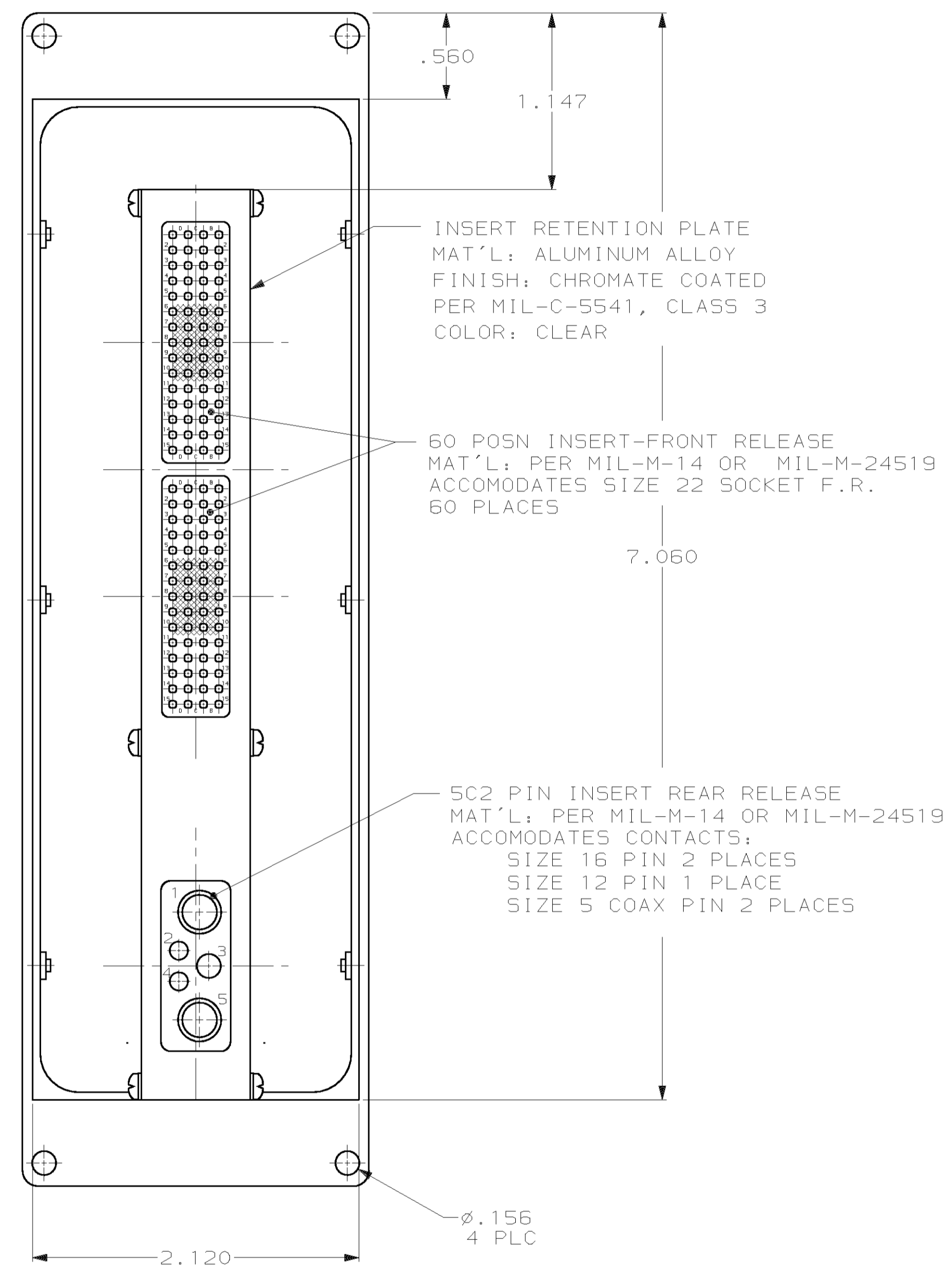
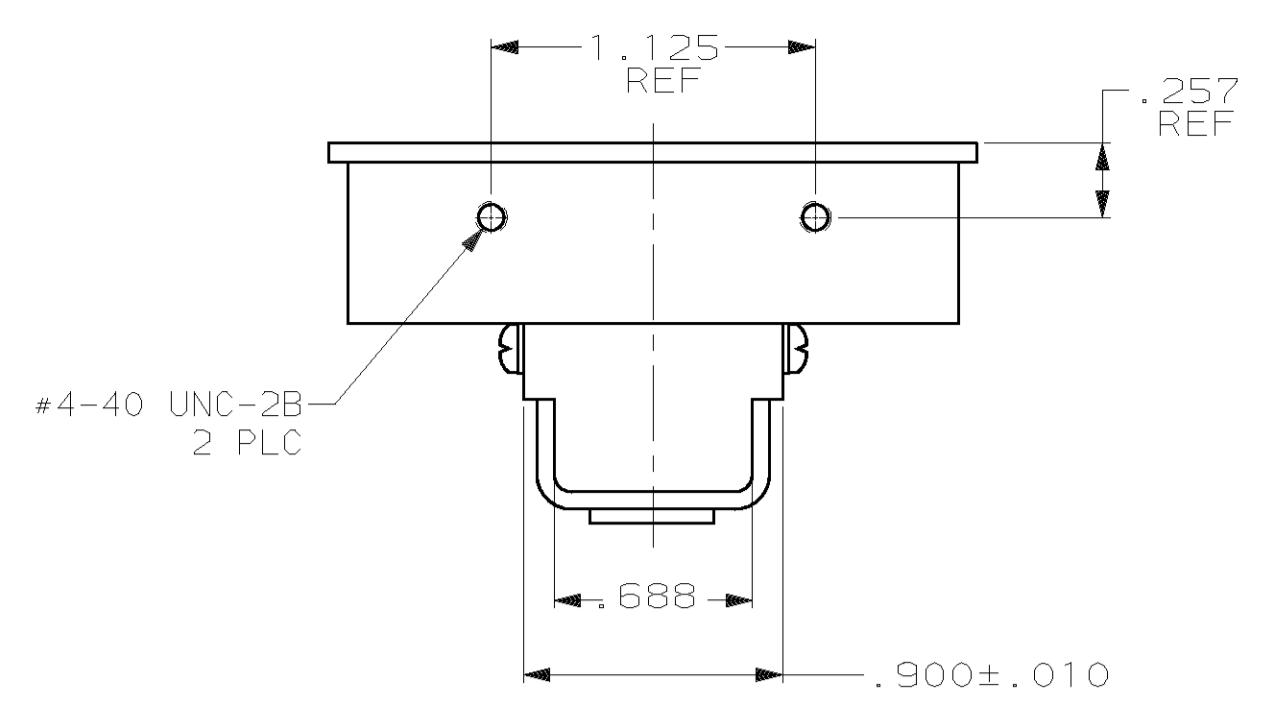
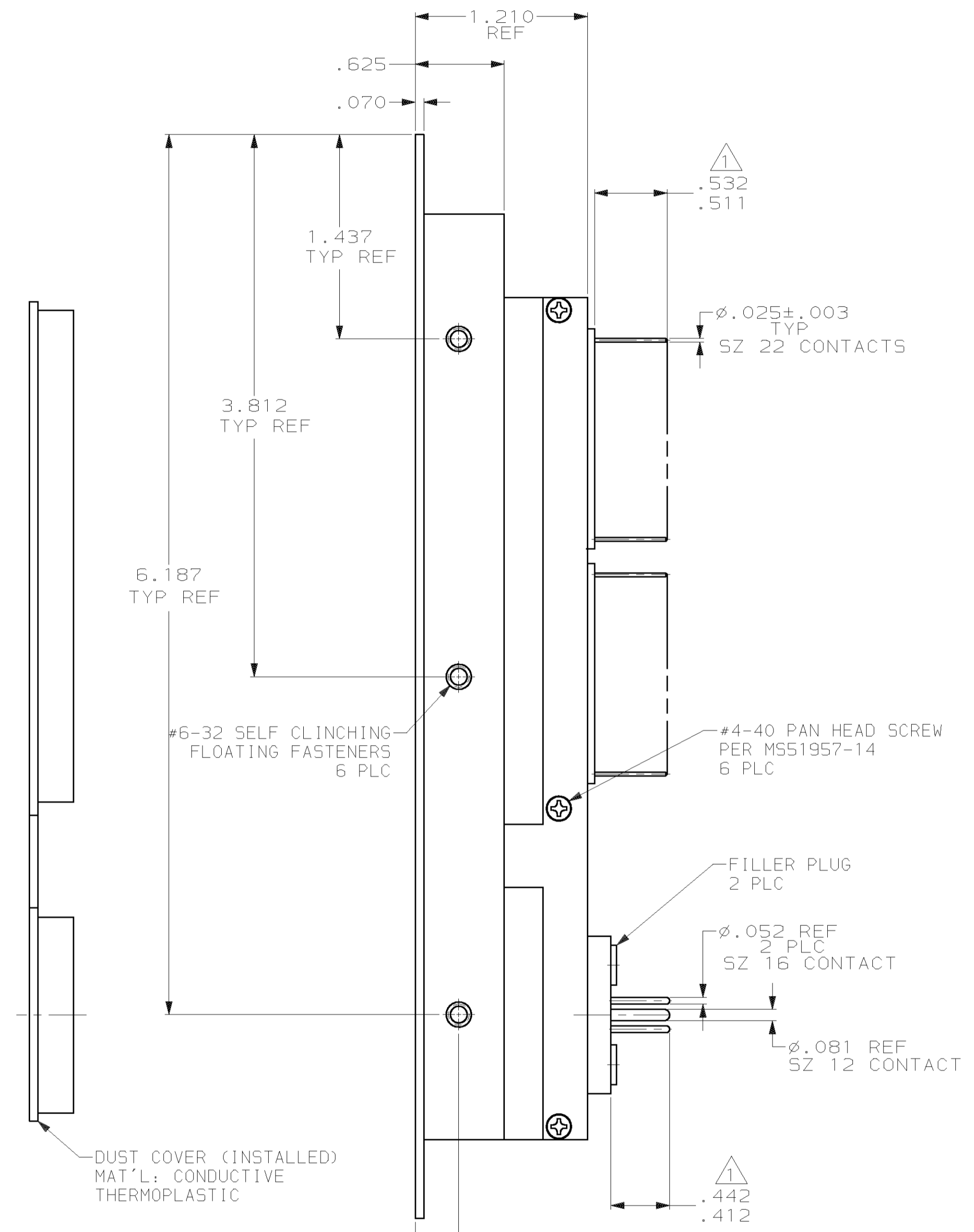
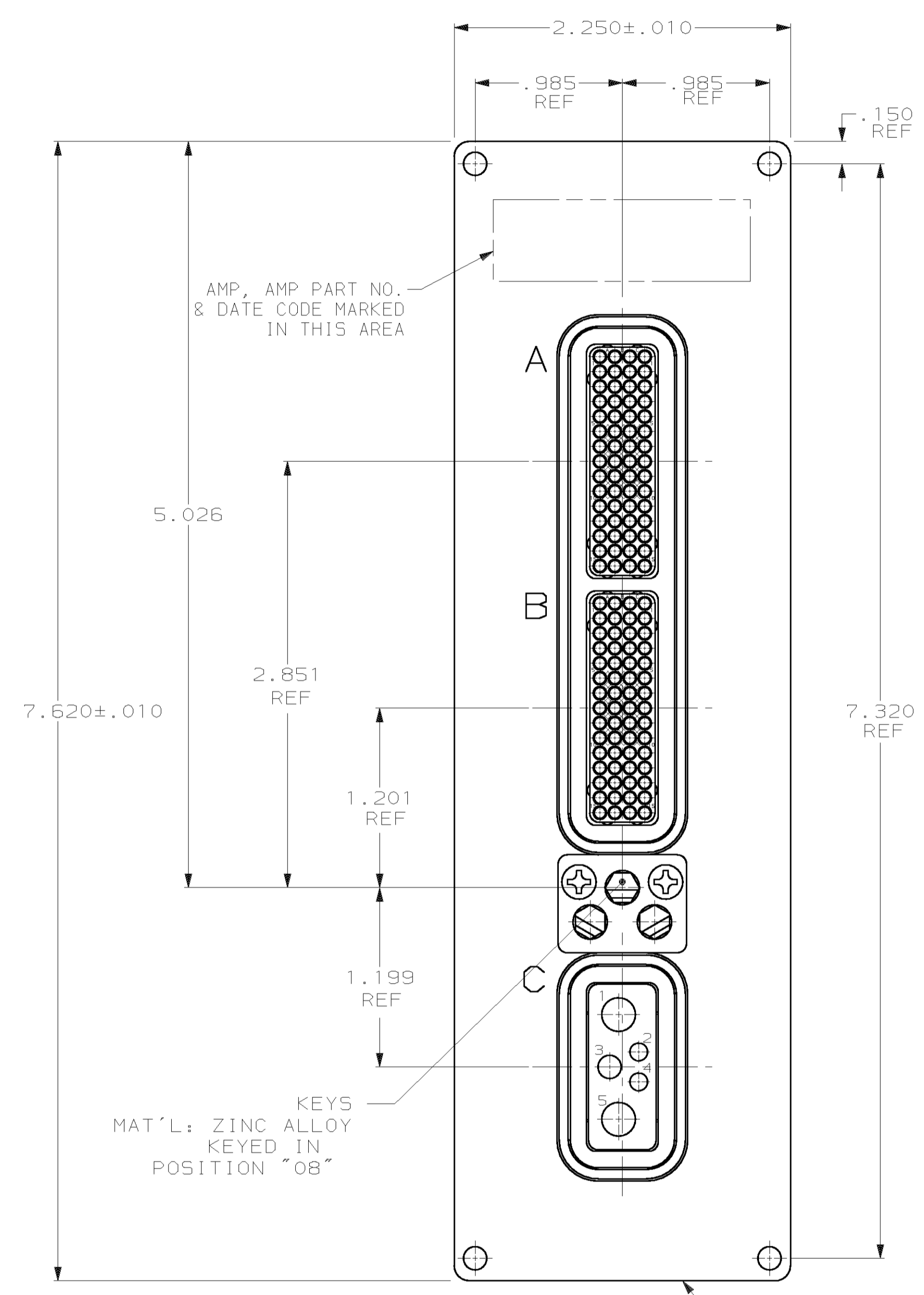
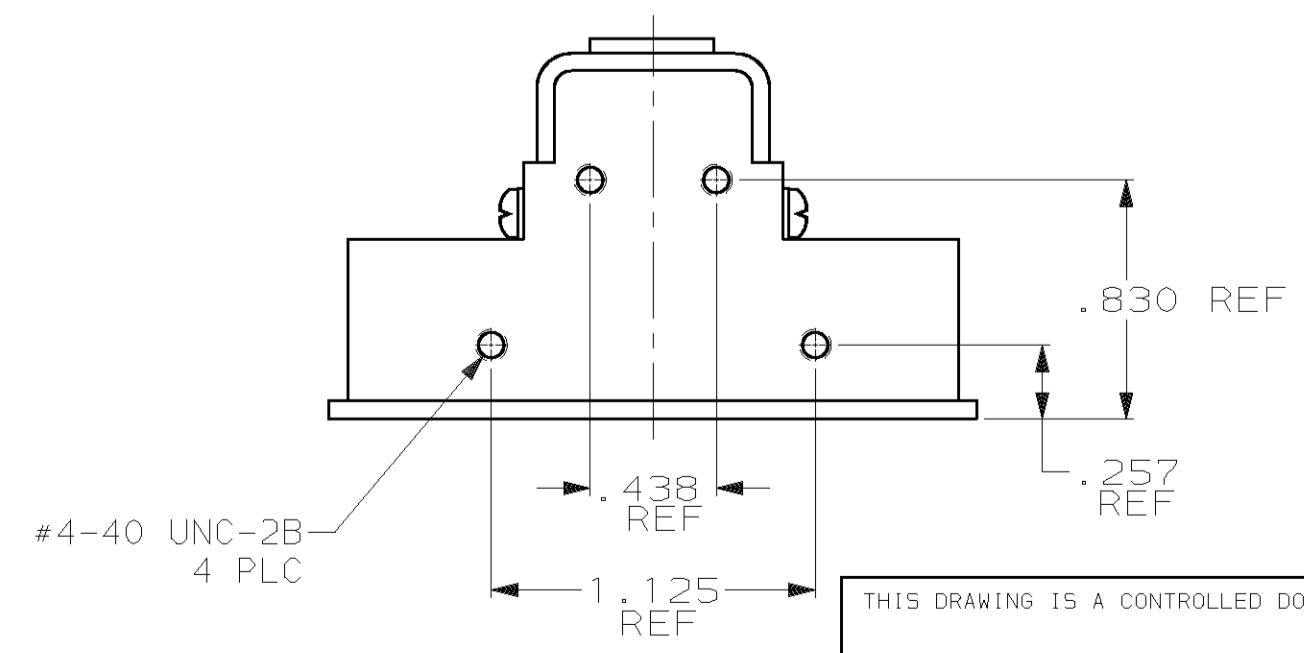


LOC	DIST	REV	DATE	BY	CHK	APPV
DF	AO	B	1-03	REV PER	OG3D-0569-02	CT 5G



DETAIL C
 1484876-2 ONLY
 SAME AS -1 EXCEPT
 ONE (1) SIZE 5 CONTACT
 AS SHOWN

1. WITH CONTACTS FULLY SEATED TO REAR OF CAVITY.
2. CONTACT PART NUMBERS LOADED IN CONNECTOR:
 (ALL SOLDER POSTS ARE SOLDER COATED)
 SIZE 22 SOCKET CONTACT (120) AMP P/N 1-211431-6
 SIZE 16 PIN CONTACT (2) AMP P/N 1663128-3
 SIZE 12 PIN CONTACT (1) AMP P/N 1663129-3
 SIZE 5 PIN CONTACT (1) AMP P/N 1663130-2 (1484876-2 ONLY)
 SIZE 5 FILLER PLUG (2 ON -1/1 ON -2) AMP P/N 1663132-1



SEE DETAIL C	1484876-2
AS SHOWN	1484876-1
REMARKS	PART NUMBER

THIS DRAWING IS A CONTROLLED DOCUMENT.		DWN	C.C. THOMAS	5-15-02	 TYCO Electronics Harrisburg, PA 17105-3608
DIMENSIONS: INCHES (mm)		CHK	S. GLATFELTER	5-15-02	
TOLERANCES UNLESS OTHERWISE SPECIFIED:		APPV	S. GLATFELTER	5-15-02	RCPT ASSY, SIZE 1 SPECIAL, ARINC 600
0 PLC	±	PRODUCT SPEC		SIZE	A1
1 PLC	±	APPLICATION SPEC		CAGE CODE	00779
2 PLC	±	MATERIAL		DRAWING NO	1484876
3 PLC	±	FINISH		RESTRICTED TO	
4 PLC	±	MATERIAL		SCALE	1.5:1
ANGLES	±	FINISH		SHEET	1 OF 1
SEE CALLOUTS		SEE CALLOUTS		CUSTOMER DRAWING	REV B