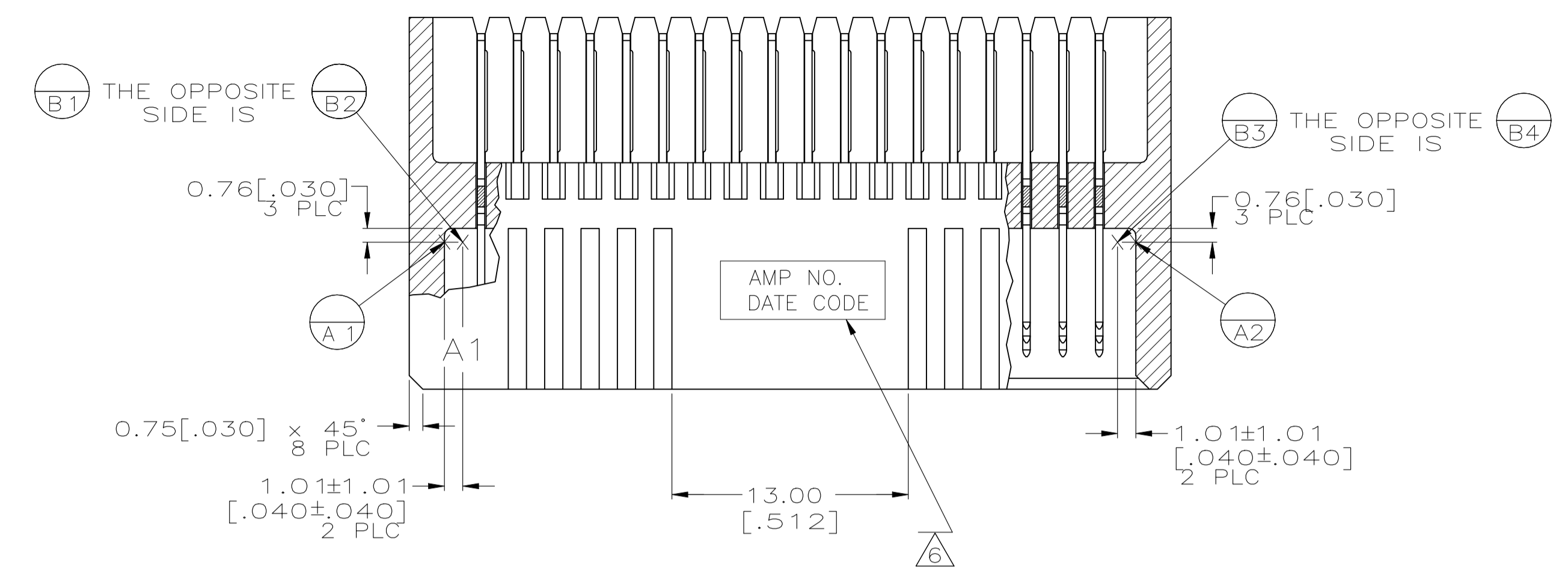
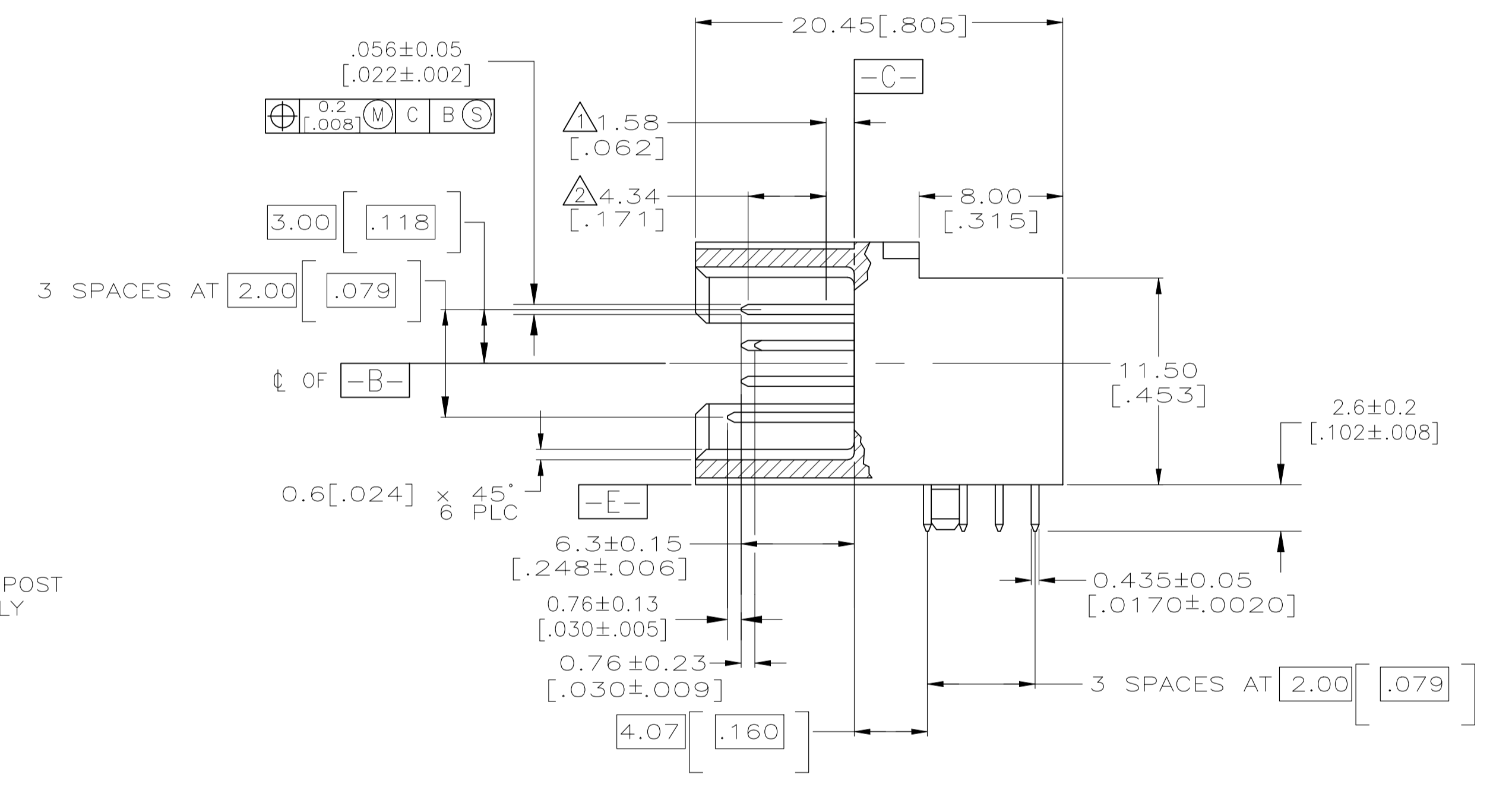
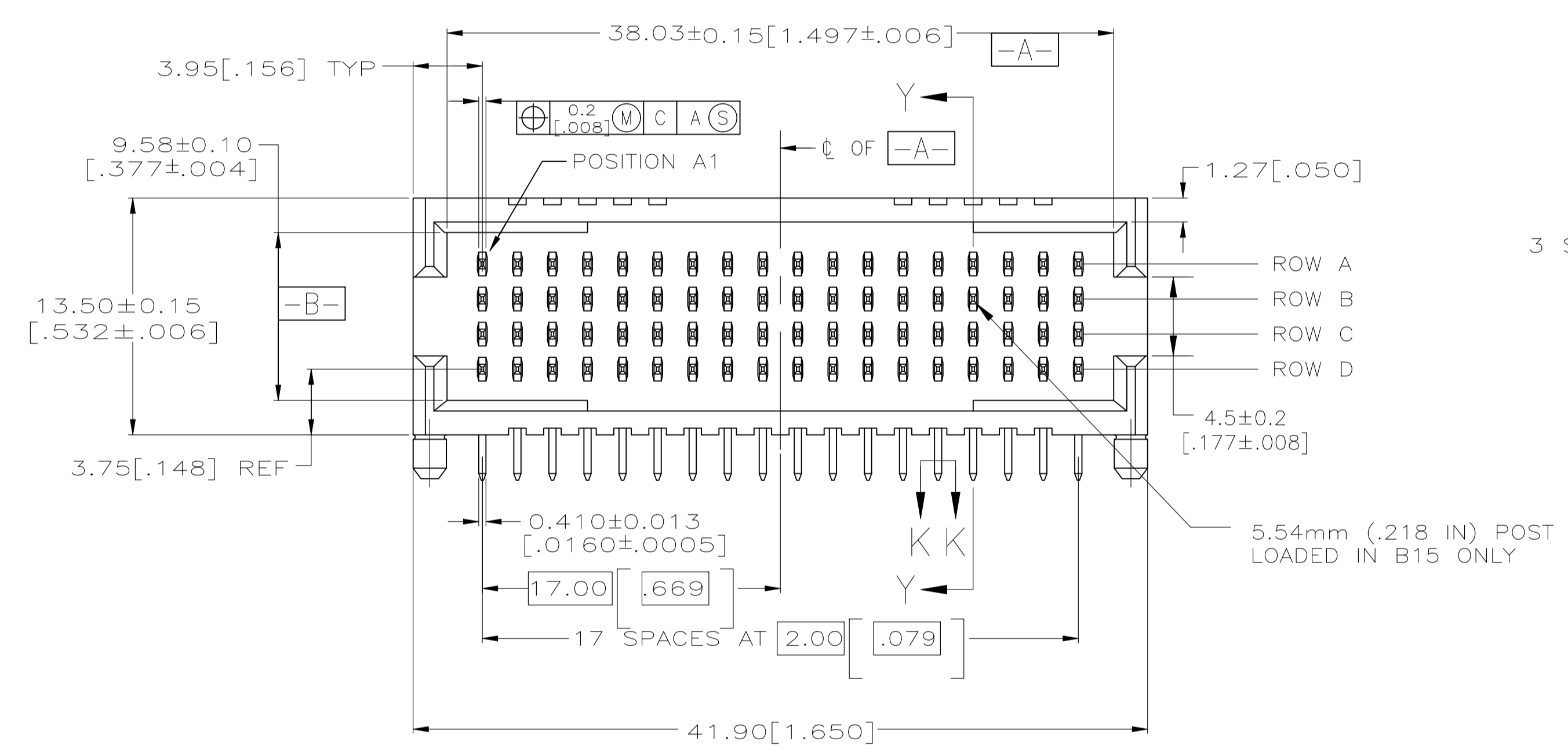


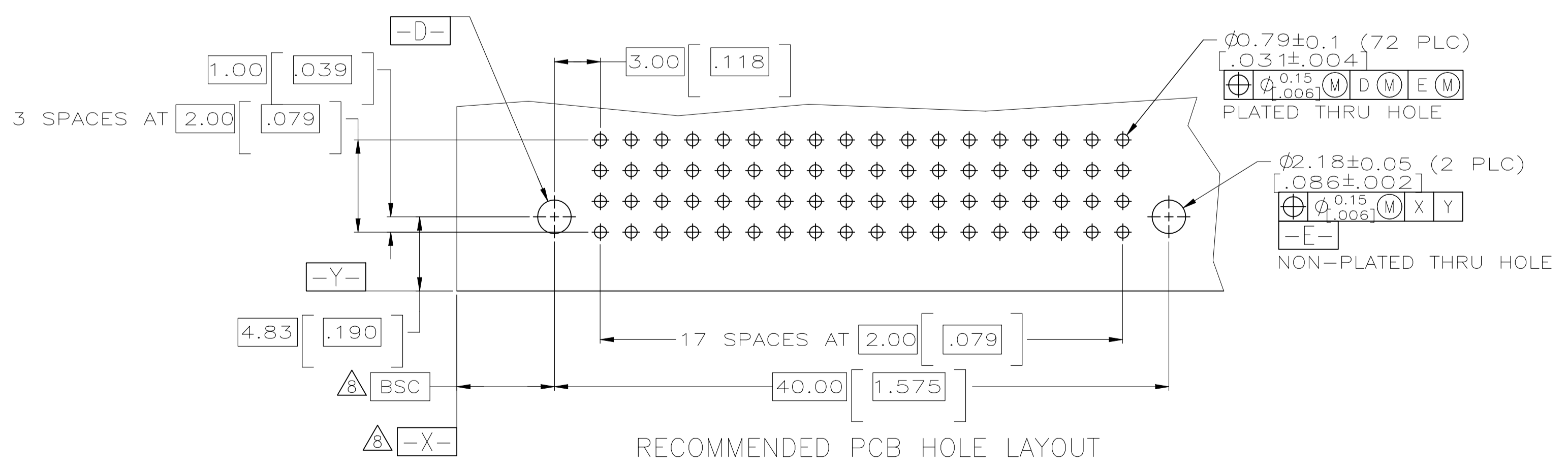
| REVISIONS | | | | |
|-----------|-----|---|-----------|-------|
| P | LTR | DESCRIPTION | DATE | APP'D |
| H1 | | CAVITY REMOVED FROM BOARDLOCK_PCN-21-114231 | 22OCT2021 | SS PK |



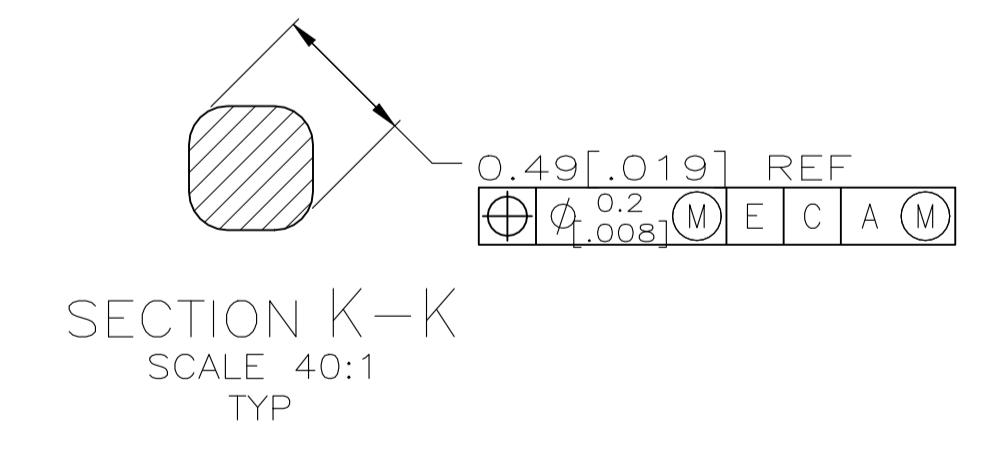
- △ DISTANCE TO INTERFACE; REFERENCE ONLY.
- △ NOMINAL WIPE EXCLUDING POST TIP; REFERENCE ONLY.
- △ HOUSING MATERIAL: LIQUID CRYSTAL POLYMER. COLOR: BLACK.
- △ CONTACT MATERIAL: PHOSPHOR BRONZE.
- △ CONTACT FINISH: 0.00076[0.00030] MINIMUM GOLD OVER 0.00127[0.00050] MINIMUM NICKEL IN CONTACT AREA. 0.00381[0.00015] MINIMUM TIN ON SOLDER TAILS.
- △ MARKED WITH TE PART NUMBER & DATE CODE IN APPROXIMATE AREA SHOWN.



SECTION Y-Y



RECOMMENDED PCB HOLE LAYOUT



SECTION K-K
SCALE 40:1
TYP

| POSITIONS LOADED WITH 5.54 [0.218] POST | POSITIONS LOADED WITH 6.30 [0.248] POST | POSITIONS LOADED WITH 7.06 [0.278] POST | ROWS | NO. OF LOADED POSITIONS | PART NUMBER |
|---|---|---|------|-------------------------|-------------|
| NONE | NONE | 1-18 | D | 18 | 148510-1 |
| NONE | 1-18 | NONE | C | 18 | |
| 15 | 1-14, 16-18 | NONE | B | 18 | |
| NONE | 1-18 | NONE | A | 18 | |

| | | | | | |
|--|-----------|---------------------------|-----------|---|------------|
| THIS DRAWING IS A CONTROLLED DOCUMENT. | | DIN T. SHUEY 10-5-98 | | TE Connectivity | |
| DIMENSIONS: mm | | CHK R. PATTERSON 10-7-98 | | | |
| TOLERANCES UNLESS OTHERWISE SPECIFIED: | | NAME R. PATTERSON 10-7-98 | | Z-PACK, 2mm RS, R/A PIN HEADER ASSEMBLY, SEQUENCED MATING POSTS | |
| 0 PLC ± - | 1 PLC ± - | 2 PLC ± 0.13 [0.005] | 3 PLC ± - | 4 PLC ± - | ANGLES ± - |
| MATERIAL | | FINISH | | APPLIC. SPEC | |
| WEIGHT | | SIZE | | CAGE CODE | |
| CUSTOMER DRAWING | | DRAWING NO. | | RESTRICTED TO | |
| SCALE 4:1 | | SHEET 1 of 1 | | REV H1 | |