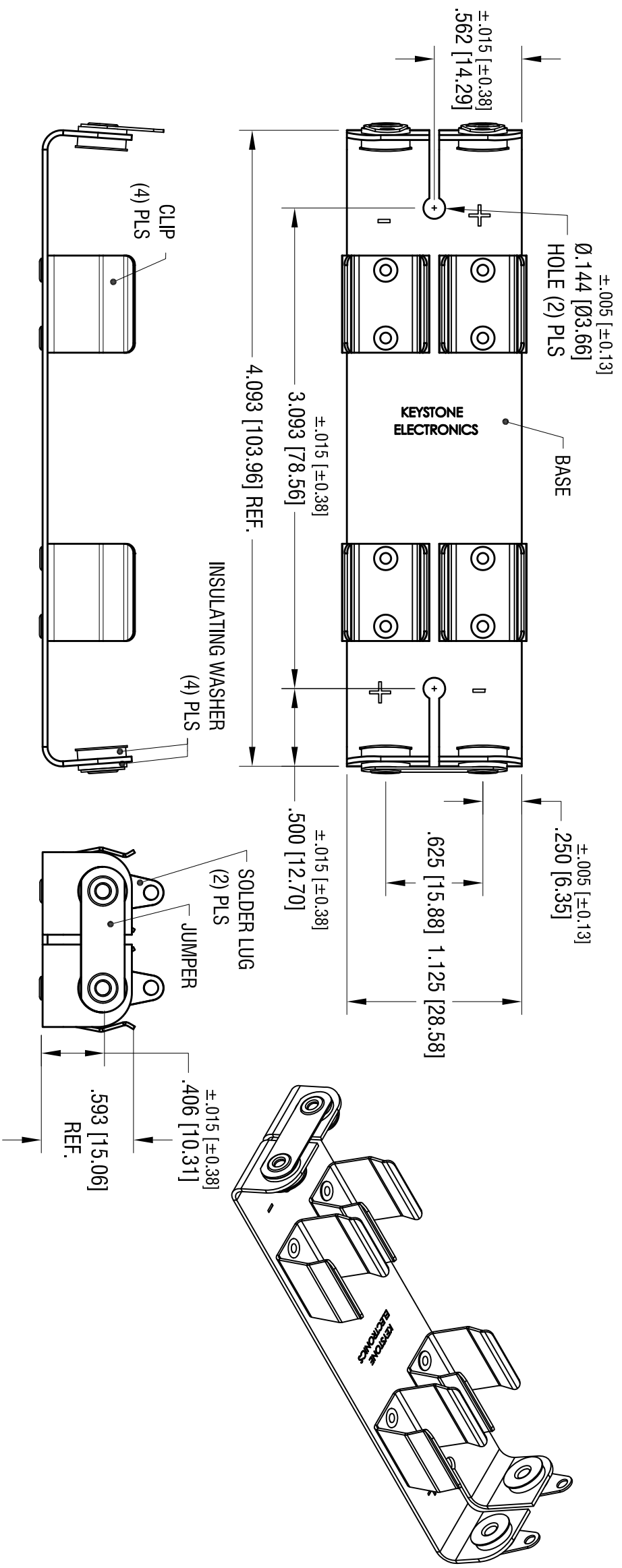


DATE	DESCRIPTION	REV.



- NOTES:
1. BASE: MAT'L - .032 [.81] THK ALUMINUM
 2. CLIP: MAT'L - .020 [.50] THK ALUMINUM
 3. SOLDER LUG: MAT'L - BRASS
FINISH - TIN PLATE
 4. JUMPER: MAT'L - BRASS
FINISH - TIN PLATE

THIS DOCUMENT IS THE PROPERTY OF KEYSTONE ELECTRONICS CORP. AND SHALL NOT BE REPRODUCED, DISTRIBUTED OR USED AS A BASIS FOR MANUFACTURE WITHOUT PRIOR WRITTEN PERMISSION FROM KEYSTONE ELECTRONICS CORP.

KEYSTONE ELECTRONICS CORP.			
www.keystec.com • NEW HYDE PARK, NY 11040 • Tel (516) 328-7500			
PART NAME			
BATTERY HOLDER (4) 'AA'			
MATERIAL			
AS NOTED			
FINISH			
AS NOTED			
TOLERANCES		INCH	[MM]
DECIMAL	± .010	[± 0.25]	
ANGULAR	± 1°		
UNLESS OTHERWISE SPECIFIED		CODE	DWG NO.
		C	148
DRN BY	BOONE	DATE	7.10.07
APP'D	RH	SCALE	1.2X