

15038PB (5915PC)

AC Axial Fan / Metal Blades

150X^Φ172X38^L

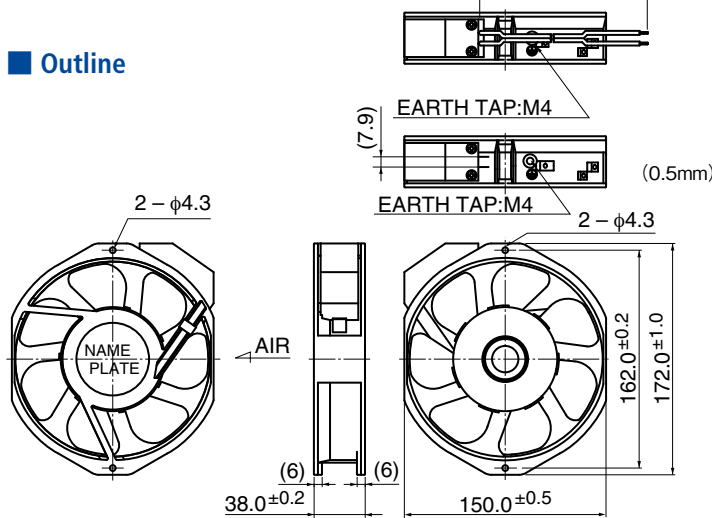


General Specifications

Motor Structure	Capacitor-Run Induction Motor
Motor Protection	Thermal Protection
Insulation Resistance	Min 100MΩ by DC 500V Megger
Dielectric Withstand Voltage : AC1800V 3s	
Allowable Ambient Temperature Range	- 10°C ~ + 60°C (Operating) - 40°C ~ + 70°C (Storage) non-condensing environment

min 300(FROM CAPACITOR COVER)

Outline



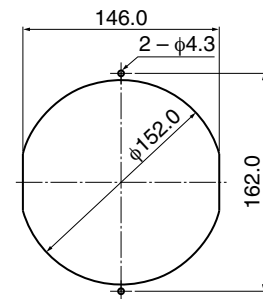
* Only flange type casing is available.

Expected Life ※ Failure Rate: 10% (L10 Life)

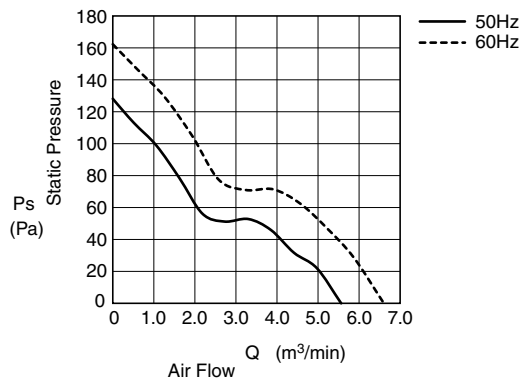
25°C 100,000 (Hours)

Panel Out-cuts

(Inlet Side) / (Outlet Side)



Characteristic Curves



Material

Casing	: Aluminum (Black Painting)
Impeller	: Steel
Bearing	: Ball Bearing
Terminal	: Faston #110 or Equiv

* Please inquire regarding the potting type (dust & oil-proof type).

Lead Wire type is also available.

Lead Wire : SPT-1 2X0.824mm² AWG18

Specifications

Model	Product No.	Rating Voltage	Frequency	Starting Voltage	Current	Input Power	Speed	Max. Air Flow		Max. Static Pressure		Noise	Mass
		(V)	(Hz)	(V)	(A)*2	(W) ^{+10% -20%}	(min ⁻¹)*3	(m³/min)*3	(CFM)*3	(Pa)*1	(In H ₂ O)*1	(dB)*1	(g)
15038PB-A0L-EPS-	0	100	50	65	0.530	42.0	2650	5.30	189.3	127.5	0.51	48.0	900
			60		0.450	40.0	3150	6.30	225.0	163.8	0.66	53.0	
15038PB-A1L-EPS-	0	115	50	75	0.450	40.0	2650	5.30	189.3	127.5	0.51	48.0	
			60		0.400	38.0	3150	6.30	225.0	163.8	0.66	53.0	
15038PB-B0L-EPS-	0	200	50	130	0.250	42.0	2650	5.30	189.3	127.5	0.51	48.0	
			60		0.230	40.0	3150	6.30	225.0	163.8	0.66	53.0	
15038PB-B2L-EPS-	0	220	50	145	0.250	42.0	2650	5.30	189.3	127.5	0.51	48.0	
			60		0.230	40.0	3150	6.30	225.0	163.8	0.66	53.0	
15038PB-B3L-EPS-	0	230	50	150	0.220	42.0	2650	5.30	189.3	127.5	0.51	48.0	
			60		0.200	40.0	3150	6.30	225.0	163.8	0.66	53.0	
15038PB-B4L-EPS-	0	240	50	155	0.200	39.0	2650	5.30	189.3	127.5	0.51	48.0	
			60		0.200	39.0	3150	6.30	225.0	163.8	0.66	53.0	

Rotation: Counterclockwise as seen from the label side
Airflow Outlet: Label side

*1: Average Values in Free Air
*2: Maximum Values in Free Air
*3: Minimum Values in Free Air

15038PB (5915PC)

AC Axial Fan / Plastic Blades

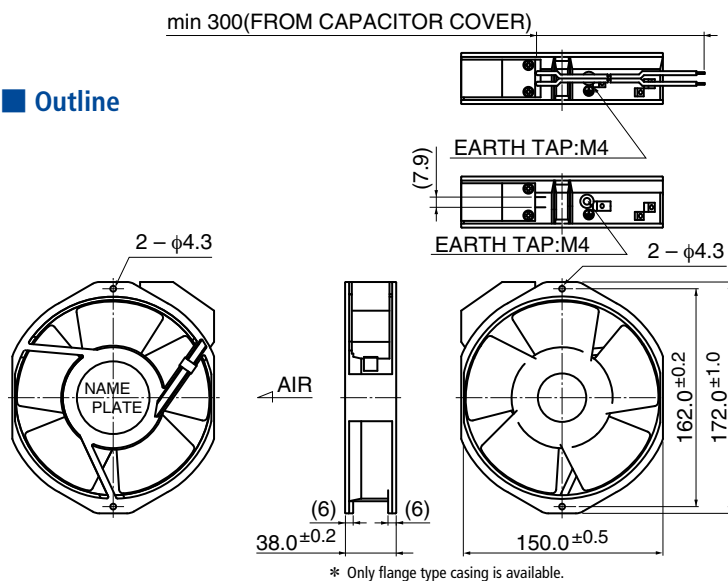
150X^Φ172X38^L



General Specifications

- Motor Structure : Capacitor-Run Induction Motor
- Motor Protection : Thermal Protection
- Insulation Resistance : Min 100MΩ by DC 500V Megger
- Dielectric Withstand Voltage : AC1800V 3s
- Allowable Ambient Temperature Range : - 10°C ~ + 70°C (Operating)
- 40°C ~ + 70°C (Storage)
non-condensing environment

Outline

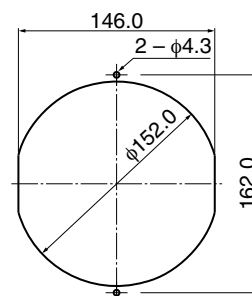


Expected Life ※ Failure Rate: 10% (L10 Life)
25°C 100,000 (Hours)

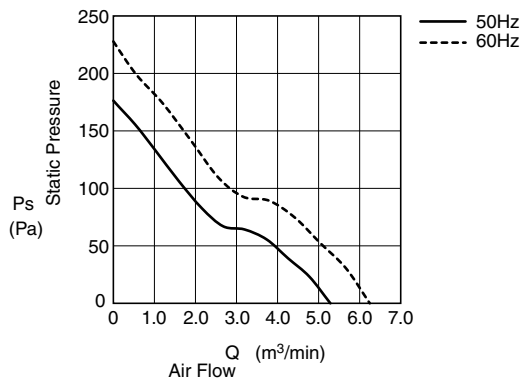
Panel Out-cuts

(Inlet Side) / (Outlet Side)

(0.5mm)



Characteristic Curves



Material

- Casing : Aluminum (Black Painting)
- Impeller : Plastic (Black) UL94V-0
- Bearing : Ball Bearing
- Terminal : Faston #110 or Equiv

* Potting type (dust & water-proof type) is also available.

Lead Wire type is also available.

- Lead Wire : SPT-1 2X0.824mm² AWG18

Specifications

Model	Product No.	Rating Voltage	Frequency	Starting Voltage	Current	Input Power	Speed	Max. Air Flow		Max. Static Pressure		Noise	Mass
		(V)	(Hz)	(V)	(A)*2	(W) ^{+10% -20%}	(min ⁻¹)*3	(m ³ /min)*3	(CFM)*3	(Pa)*3	(In H ₂ O)*3	(dB)*1	(g)
15038PB-A0L-EP-	00	100	50	65	0.470	37.0	2700	5.00	178.6	156.9	0.63	52.0	800
			60		0.440	33.0	3200	6.00	214.3	215.8	0.86	56.0	
15038PB-A1L-EP-	00	115	50	75	0.380	35.0	2700	5.00	178.6	156.9	0.63	52.0	
			60		0.360	32.0	3200	6.00	214.3	215.8	0.86	56.0	
15038PB-B0L-EP-	00	200	50	130	0.230	34.0	2700	5.00	178.6	156.8	0.63	52.0	
			60		0.210	33.0	3200	6.00	214.3	215.6	0.86	56.0	
15038PB-B2L-EP-	00	220	50	145	0.210	40.0	2700	5.00	178.6	156.9	0.63	52.0	
			60		0.180	38.0	3200	6.00	214.3	215.8	0.86	56.0	
15038PB-B3L-EP-	00	230	50	145	0.190	35.0	2700	5.00	178.6	157.0	0.63	52.0	
			60		0.180	35.0	3200	6.00	214.3	215.8	0.86	56.0	
15038PB-B4L-EP-	00	240	50	155	0.180	34.0	2700	5.00	178.6	156.9	0.63	52.0	
			60		0.170	34.0	3200	6.00	214.3	215.7	0.86	56.0	

Rotation: Counterclockwise as seen from the label side
Airflow Outlet: Label side

*1: Average Values in Free Air
*2: Maximum Values in Free Air
*3: Minimum Values in Free Air