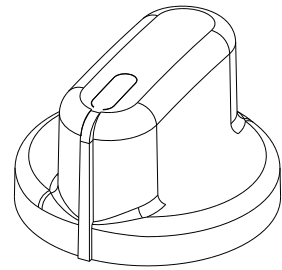
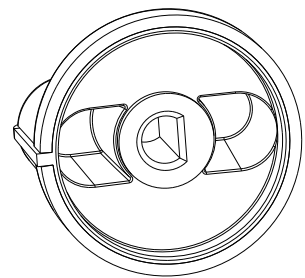
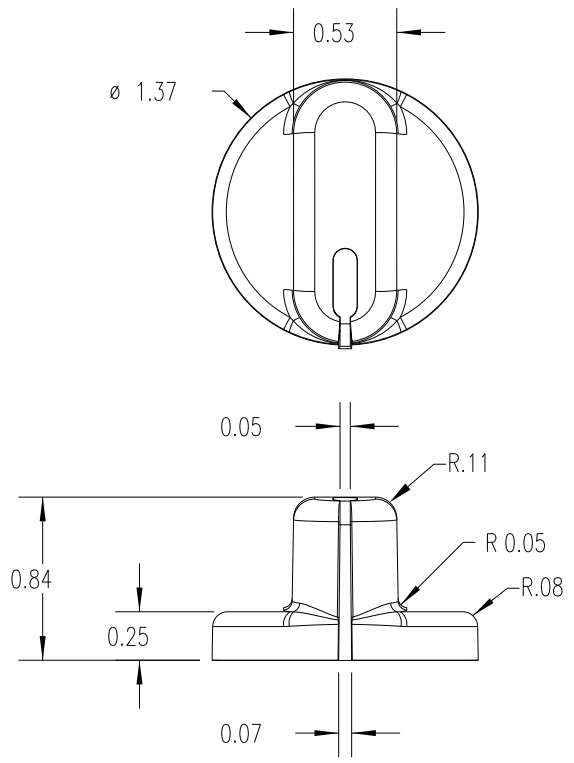


PART NAME: KNOB      SCALE: 1:1      DATE: 7/16/09      DR. BY JAM

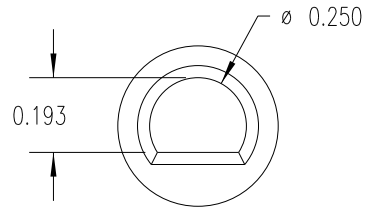
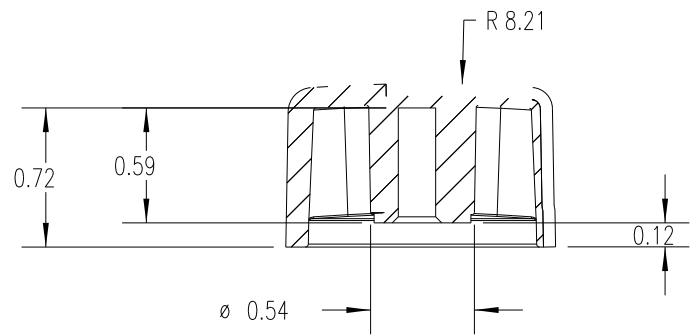
DAVIES MOLDING COMPANY  
CAROL STREAM, ILLINOIS 60188

P/N	1505-D
MOLD #	1505/1506/2813
CAVITY	1505
CORE	1505
PIN	1505-D

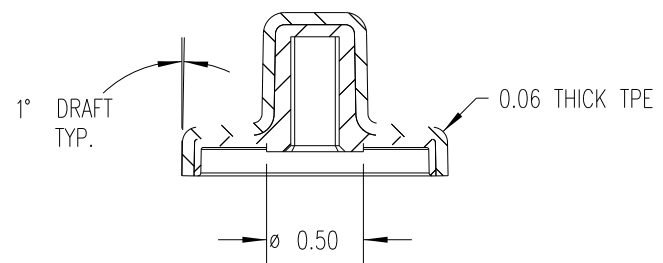
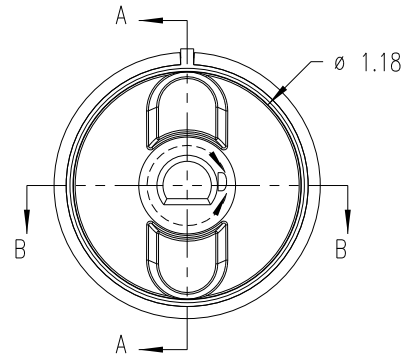
THIS DRAWING IS THE PROPERTY OF DAVIES MOLDING COMPANY, IS SUBMITTED SOLELY AS A DESIGN OR ENGINEERING PROJECT.  
WE ACCEPT NO RESPONSIBILITY WHATSOEVER FOR THE PRACTICAL APPLICATION OF THE PIECES MADE TO THIS DESIGN.



(A)



DETAIL D  
SCALE 2 : 1



SECTION B-B

MATERIAL: POLYPROPYLENE (CLD)/TPE (TPE3)  
COLOR: WHITE/BLACK

TOLERANCES: UNLESS OTHERWISE SPECIFIED	DO NOT SCALE DRAWING			
DECIMALS: X.XXX ± .005 X.XX ± .015	MM: X.XX ± 0.15MM X.X ± 0.4MM	A	MOLD # WAS 1505	JAM 12/14/09
FRACTIONS ± 1/64	ANG. ± 1°	-	WAS SK1505-10	JAM 7/17/09
CHANGES				