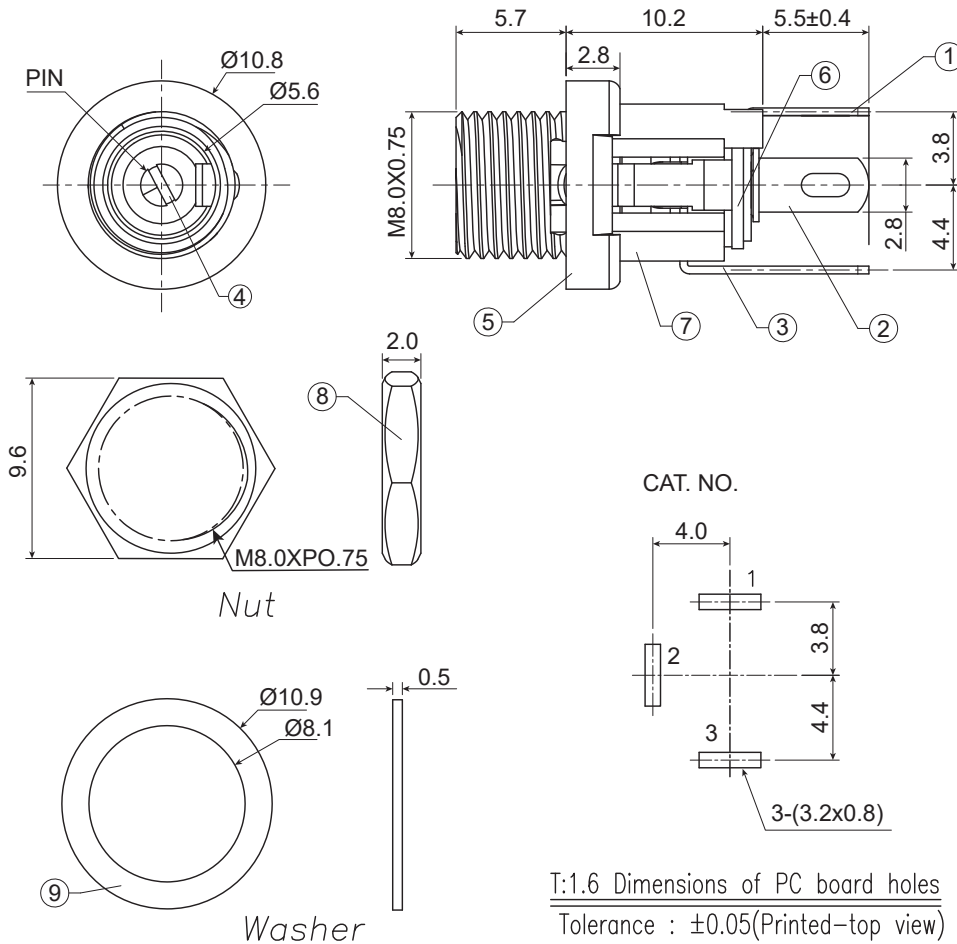


DIMENSIONS: mm



SPECIFICATIONS:

- Contact resistance: 30mΩ max.
- Insulation resistance: 100MΩ at DC 500V
- Dielectric Withstand Voltage: AC 500V for one minute

Note: RoHS Compliant by Exemption

LTR	PART NAME	QTY	MATERIAL	REMAP
1	CENTER PIN TERMINAL	1	C2680	Sn PLATED
2	TIP SPRING	1	C5191	Sn PLATED
3	SHUNT TERMINAL	1	C2680	Sn PLATED
4	PIN	1	H59(COPPER ALLOY)	Cu/Sn PLATED
5	AXIS SUPPORT	1	H59(COPPER ALLOY)	Cu/Sn PLATED
6	INSULATOR	1	PF	
7	HOUSING	1	PBT 4815	UL-94V0(BLACK)
8	NUT	1	59 (COPPER ALLOY)	Ni PLATED
9	WASHER	1	SPCC	Ni PLATED