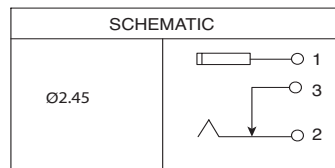
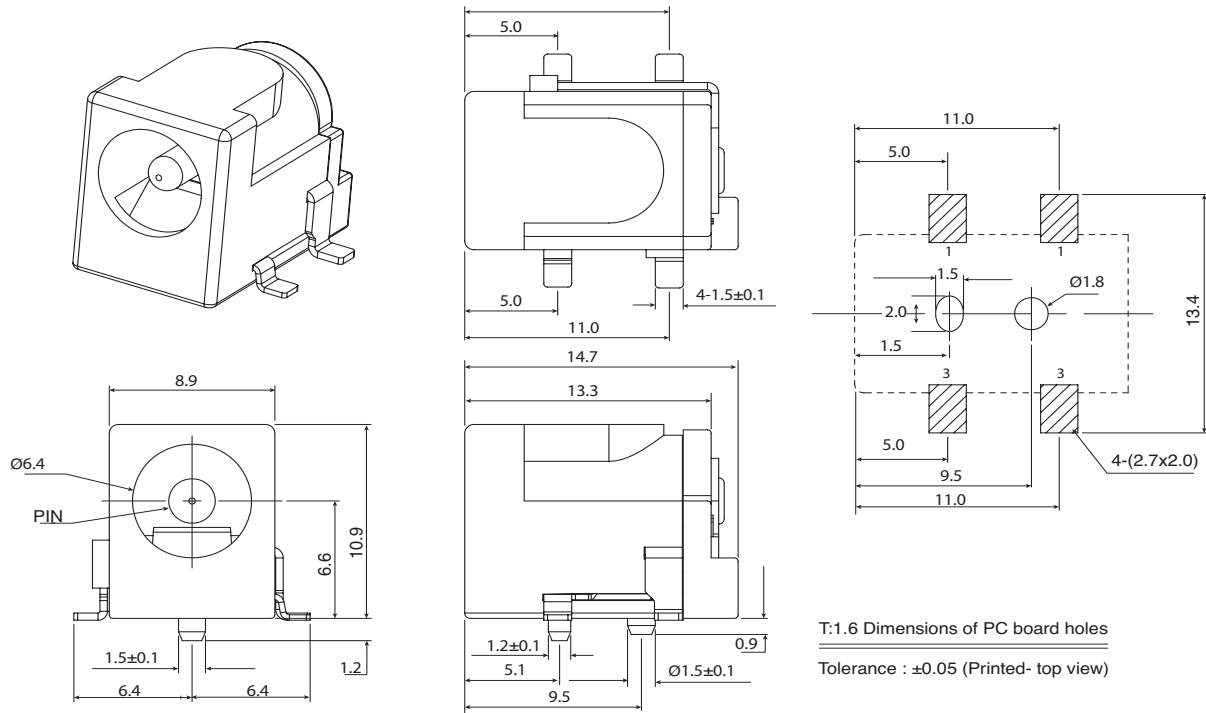


DIMENSIONS: mm



SPECIFICATIONS	
Contact Resistance:	30mΩ Max.
Insulation Resistance:	100MΩ Min. at DC 500V
Dielectric Withstand Voltage:	AC 500V for 1 minute
RoHS Compliant	