

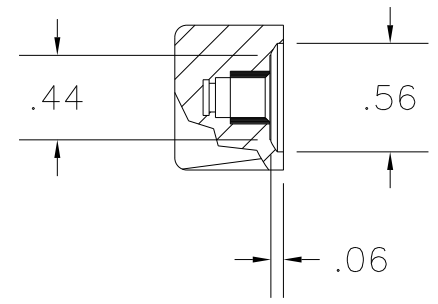
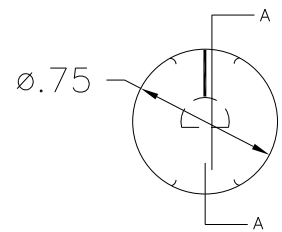
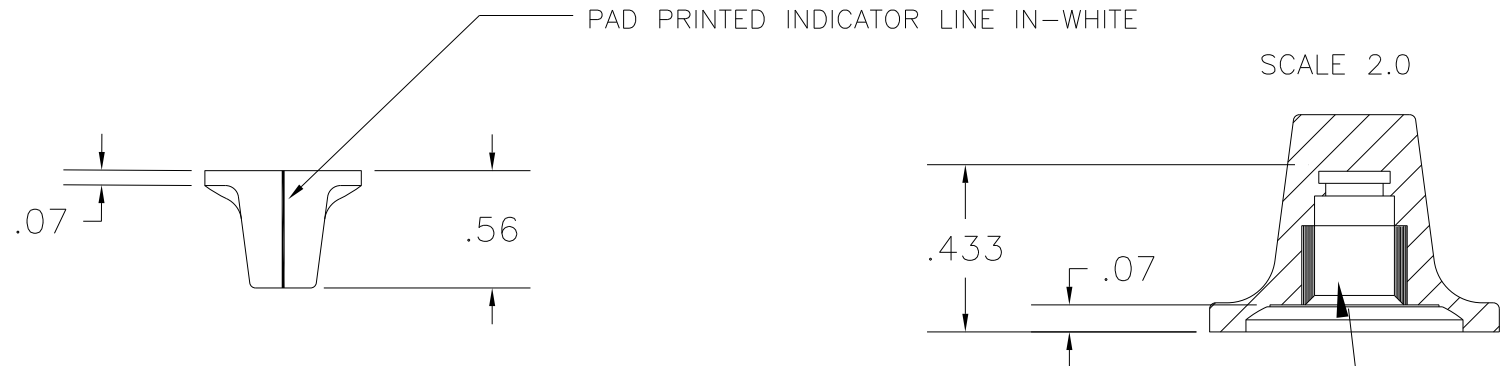
PART NAME: KNOB      SCALE: 1:1      DATE: 1/10/06      DR. BY JAM

DAVIES MOLDING COMPANY  
CAROL STREAM, ILLINOIS 60188

P/N 1510BG  
BASE PART 1510-09  
SPRING I1125A

THIS DRAWING IS THE PROPERTY OF DAVIES MOLDING COMPANY, IS SUBMITTED SOLELY AS A DESIGN OR ENGINEERING PROJECT. WE ACCEPT NO RESPONSIBILITY WHATSOEVER FOR THE PRACTICAL APPLICATION OF THE PIECES MADE TO THIS DESIGN.

(A)



MATERIAL: G.P. PHENOLIC (B11)  
COLOR: BLACK

TOLERANCES: UNLESS OTHERWISE SPECIFIED	DO NOT SCALE DRAWING			
DECIMALS: X.XXX ± .005 X.XX ± .015	MM: X.XX ± 0.15MM X.X ± 0.4MM	A	ADDED BASE PART	JAM 4/28/14
FRACTIONS ± 1/64	ANG. ± 1°	-	WAS SK1510-04	JAM 1/10/06
CHANGES				