

2400-2483.5 MHz SINGLE BAND ANTENNA

Part Numbers: 1513430-1, 1513430-2

FEATURES & BENEFITS

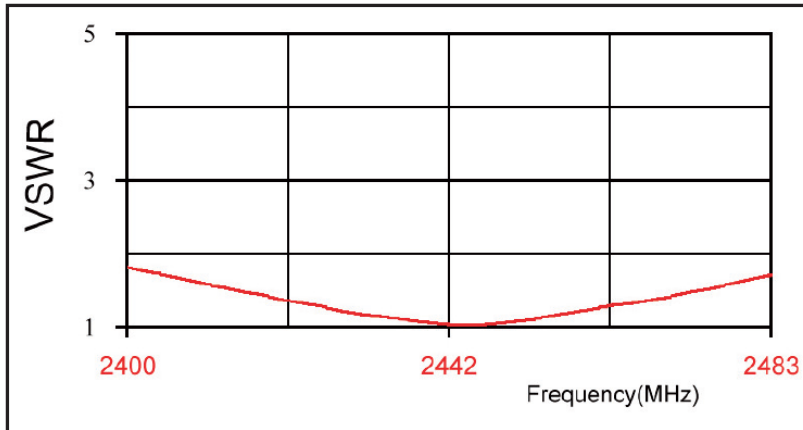
- IEEE802.11 b/g, shares the same frequency range as Bluetooth and ZigBee
- Global Frequency coverage
- On board SMD mount PCB antenna
- Minimum or no matching circuits required.
- Minimal keep out zone requirement
- Performance dependent on ground plane size and design
- Available in Tape & Reel packaging for automatic mounting

SPECIFICATIONS

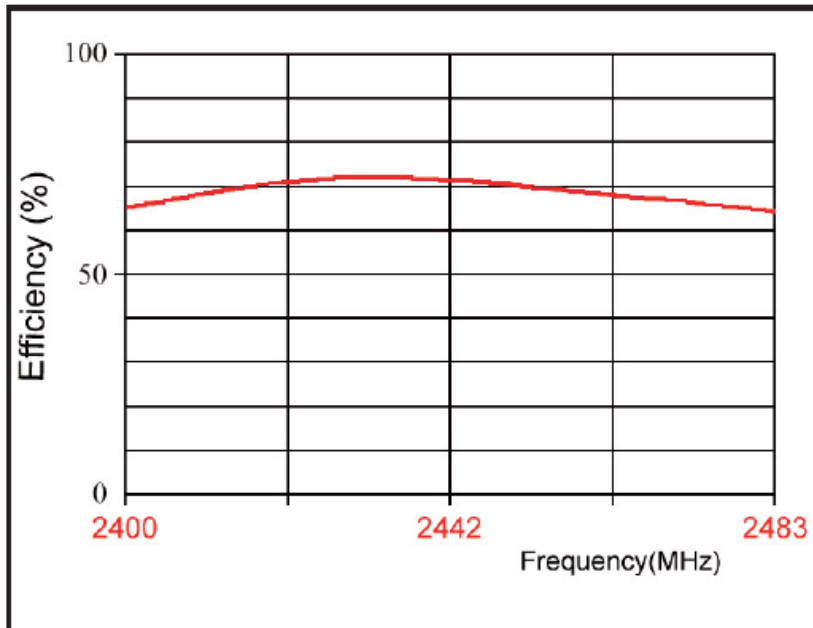
Frequency Range (MHz)	2400-2483.5
VSWR	< 2.0:1
Average Efficiency	65%
Peak Gain	+0 dBi
Average Gain	-1.9dBi
Power Handling	10 Watt cw
Feed Point Impedance	50 ohms
Polarization	Linear
Size	12.85 mm x 3.76 mm x 0.79 mm
Weight	< 0.5 g
Mounting	Surface mount
Operating Temperature	-40 to +85°C
Storage Temperature	-40 to +85°C
Packaging Specification	Bag & Box / Tape & Reel
Hazardous Materials	A certificate of conformance is available from the product page on TE website.
Data measured in free space and on reference ground plane of 30 mm length and 35 mm width, application data might vary	

RF DATA

VSWR



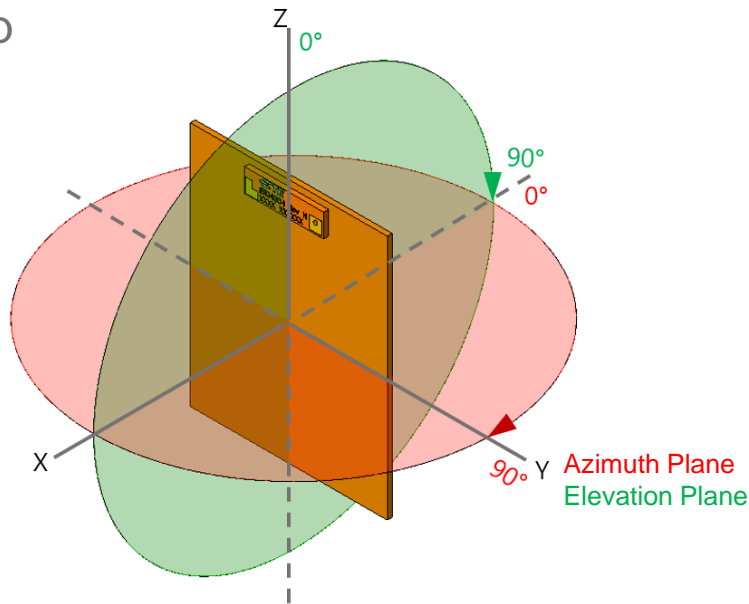
Efficiency



Data measured in free space and on reference ground plane of 30 mm length and 35 mm width, application data might vary

RADIATION PATTERN

Test setup

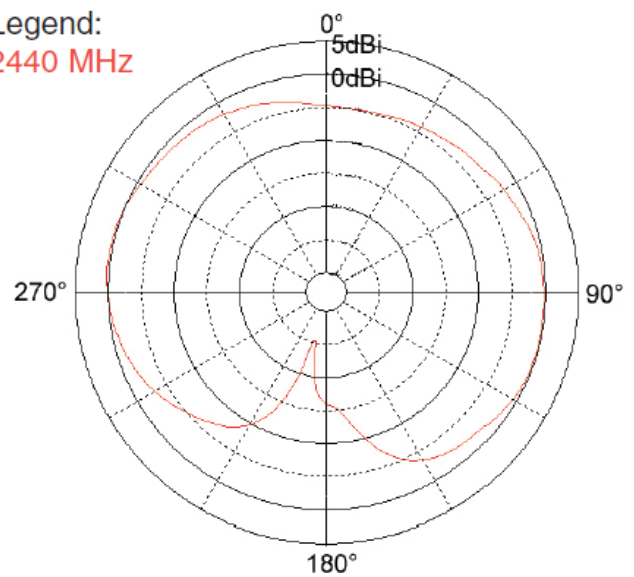
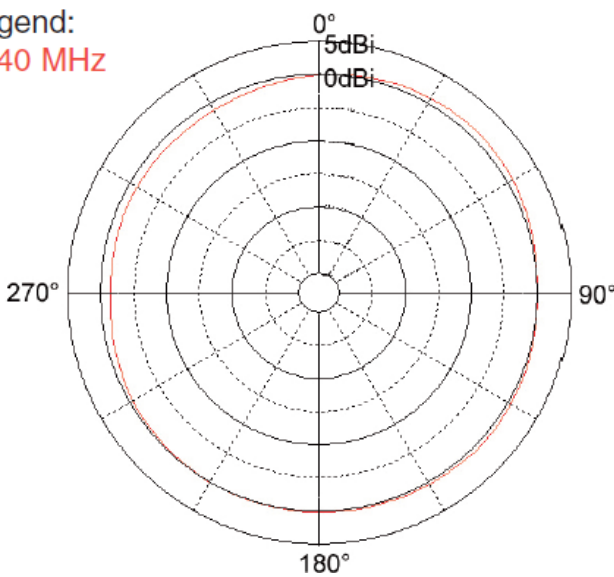


Azimuth

Elevation

Legend:
2440 MHz

Legend:
2440 MHz

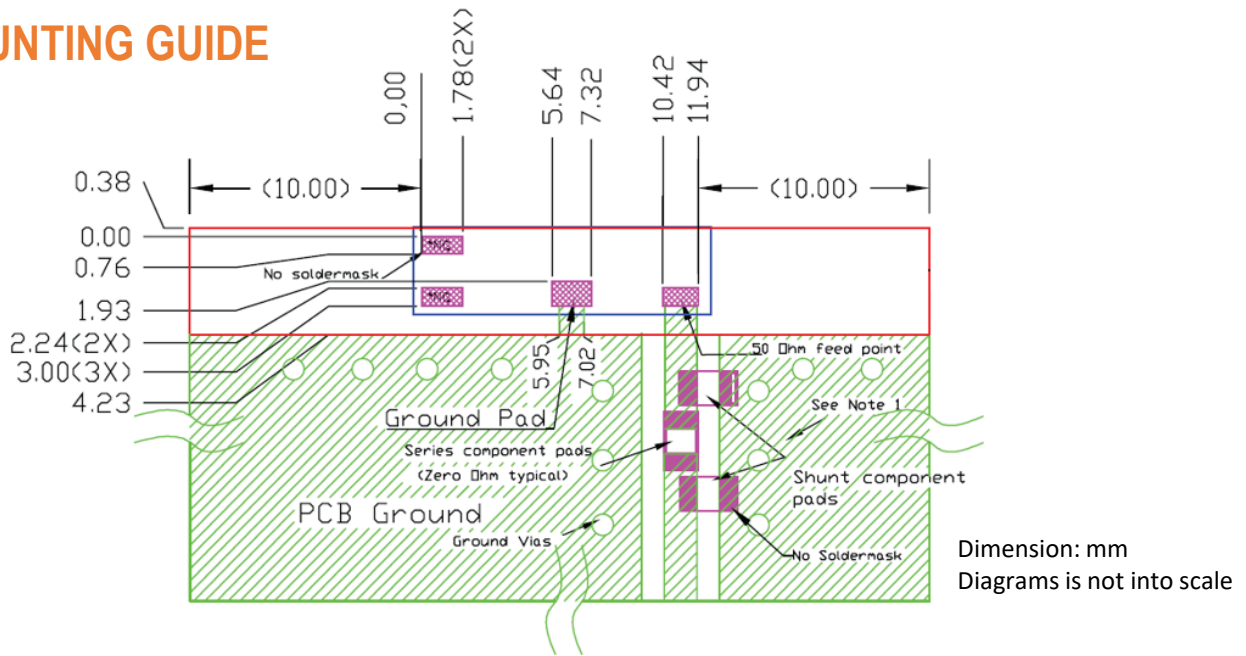


Data measured in free space and on reference ground plane of 30 mm length and 35 mm width, application data might vary

2400-2483.5 MHz SINGLE BAND ANTENNA

Standard Antenna Solutions

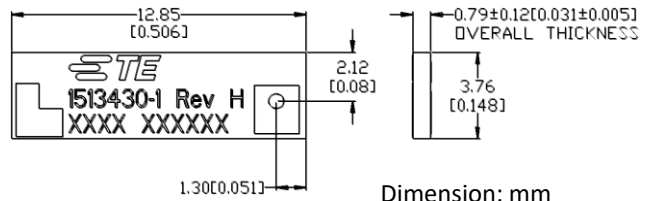
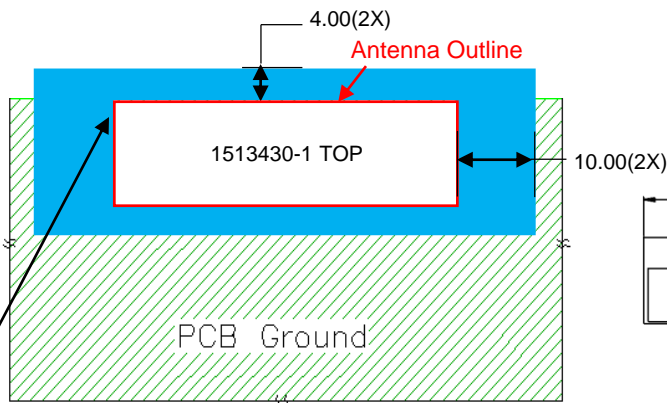
MOUNTING GUIDE



- NOTES: 1. Suggested matching component pads
 2. Antenna must be mounted on the edge of PCB.
 3. NC = No connection (mechanical mounting pads).
 4. For more information please call TE.

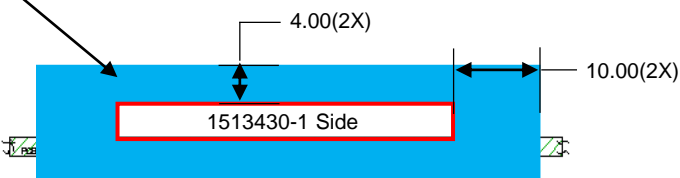
KEEP OUT AREA

DIMENSIONS



Dimension: mm
Diagrams is not into scale

Keep Out Area



Dimension: mm
Diagrams is not into scale