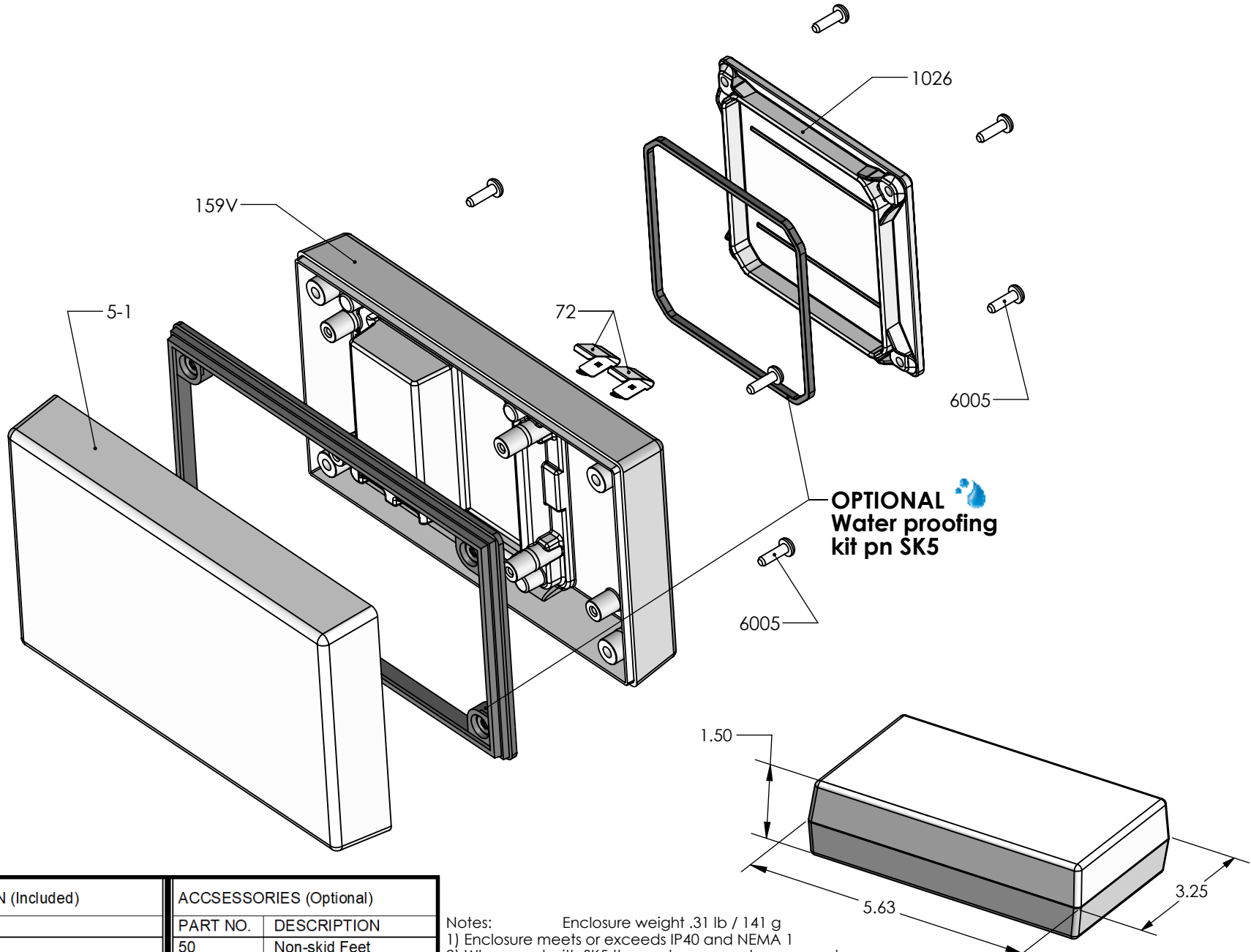


# SERPAC 1519V

Electronic Enclosures

(exploded isometric)



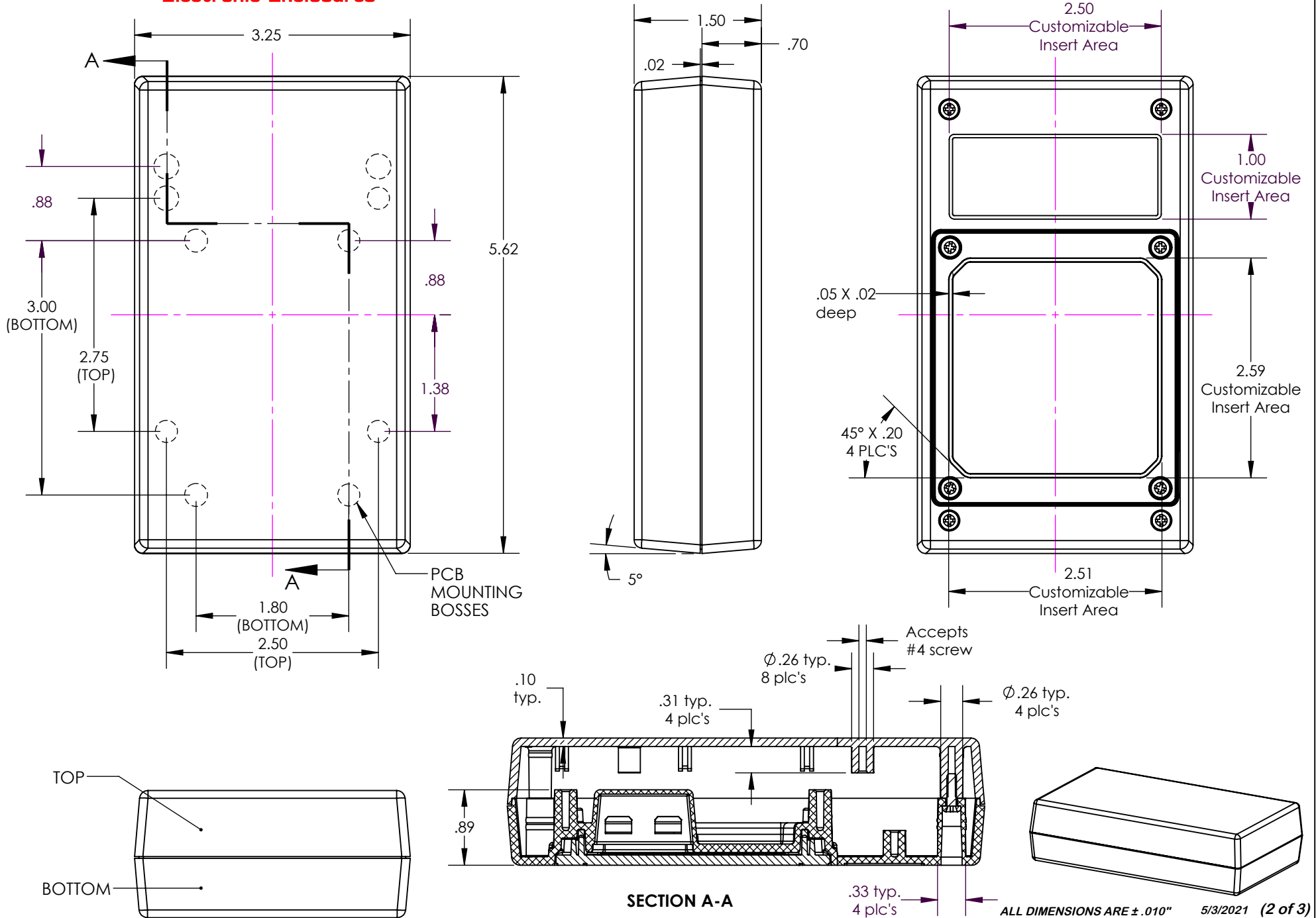
PART NO.	DESCRIPTION (Included)	ACCESSORIES (Optional)	
5-1	Top	PART NO.	DESCRIPTION
159V	9V Bottom	50	Non-skid Feet
1026	Access Door	SK5	Seal Kit for 15X
6005	#4X3/8" Self-Tapping Screw (8)		
72	Single Battery contact (2)		

- Notes:
- 1) Enclosure meets or exceeds IP40 and NEMA 1
  - 2) When used with SK5 the enclosure meets or exceeds IP 67 and NEMA 4X, 12 and 13 MIL-STD-810G 506.5 (.02 lb / 11g)
  - 3) Circuit Board drawings see sheet 3.
  - 4) All components are RoHS Compliant.

ALL DIMENSIONS ARE ± .010" 5/3/2021 (1 of 3)  
 2009 Wright Ave. La Verne, CA 91750  
 Ph. (626) 331-0517 Fx. (626) 331-8584 serpac.com

# SERPAC 1519V

Electronic Enclosures



ALL DIMENSIONS ARE ± .010" 5/3/2021 (2 of 3)

2009 Wright Ave. La Verne, CA 91750

Ph. (626) 331-0517 Fx. (626) 331-8584 www.serpac.com