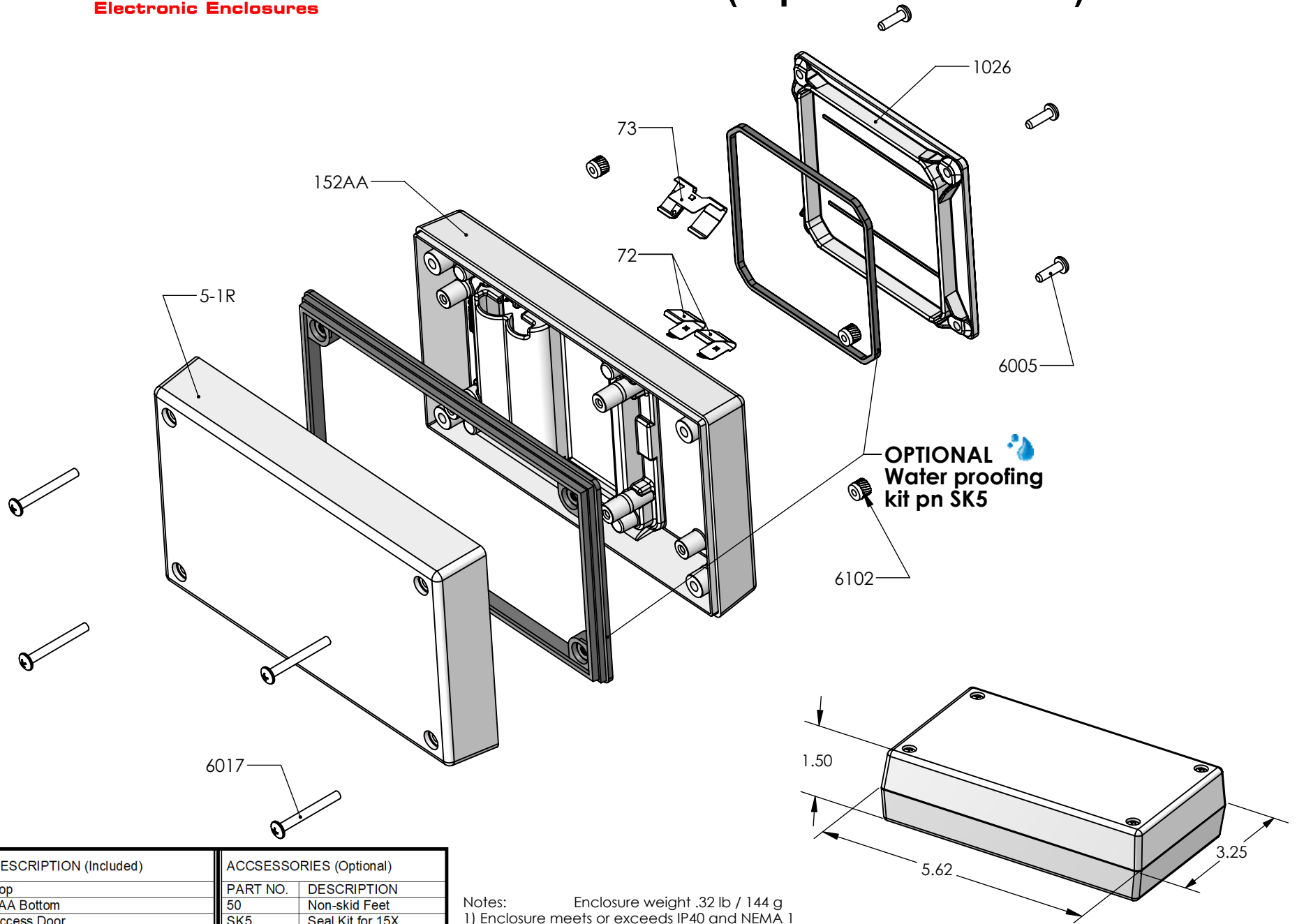


SERPAC 151R2AA (exploded isometric)

Electronic Enclosures



OPTIONAL
Water proofing
kit pn SK5

PART NO.	DESCRIPTION (Included)	ACCESSORIES (Optional)	
5-1R	Top	PART NO.	DESCRIPTION
152AA	2AA Bottom	50	Non-skid Feet
1026	Access Door	SK5	Seal Kit for 15X
6005	#4X3/8" Self-Tapping Screw (4)		
6017	4-40 Screw (4)		
6102	4-40 Threaded Insert (4)		
73	Double Battery Contact (3)		
72	Single Battery Contact (2)		

- Notes:
- 1) Enclosure weight .32 lb / 144 g
 - 2) Enclosure meets or exceeds IP40 and NEMA 1
 - 3) When used with SK5 the enclosure meets or exceeds IP 67 and NEMA 4X, 12 and 13 MIL-STD-810G 506.5 (.02 lb / 11g)
 - 4) Circuit Board drawings see sheet 3.
 - 5) All components are RoHS Compliant.

ALL DIMENSIONS ARE ± .010" 11/15/2021 (1 of 3)
2009 Wright Ave. La Verne, CA 91750
Ph. (626) 331-0517 Fx. (626) 331-8584 serpac.com

