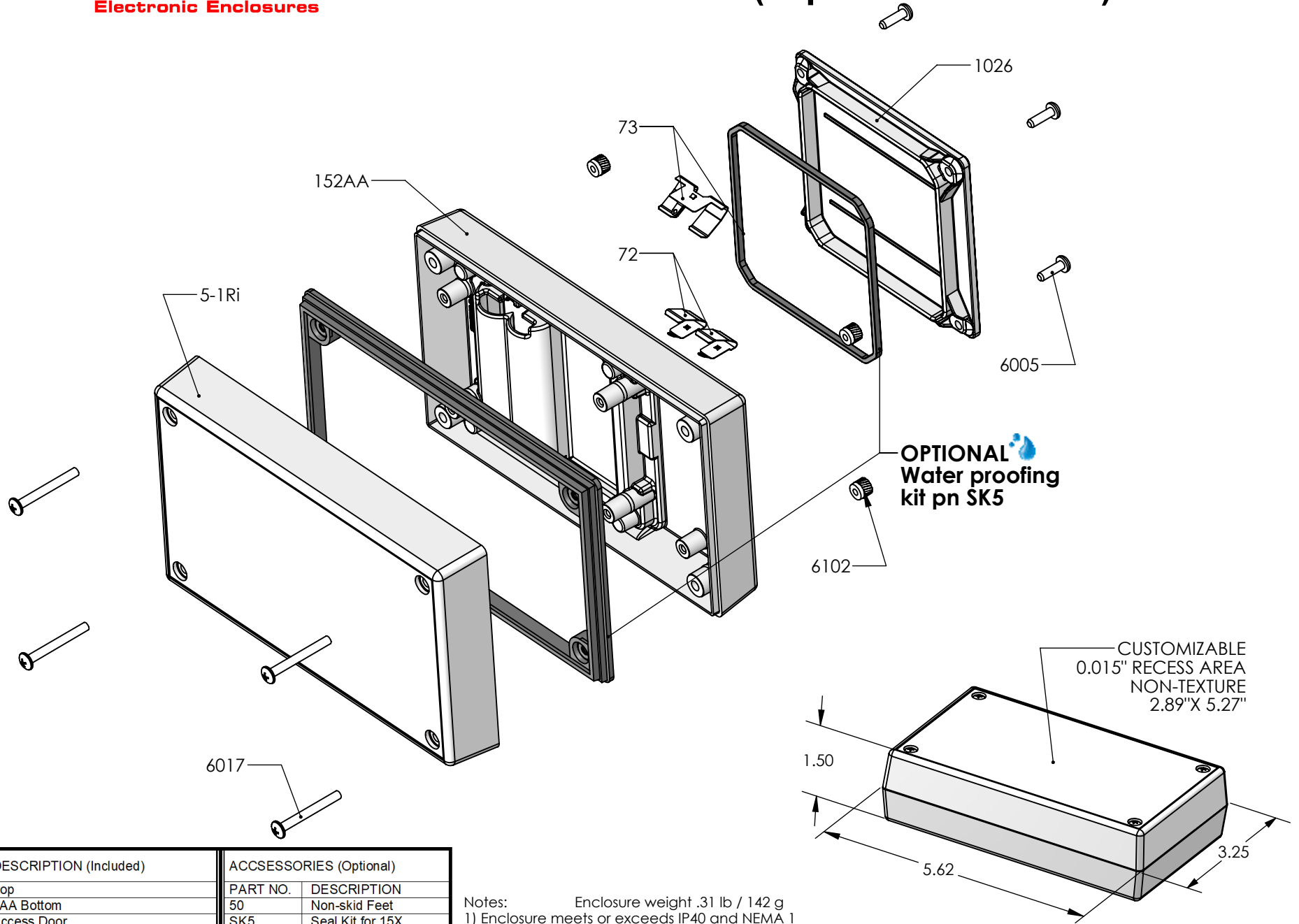


SERPAC 151Ri2AA (exploded isometric)

Electronic Enclosures



OPTIONAL
Water proofing
kit pn SK5

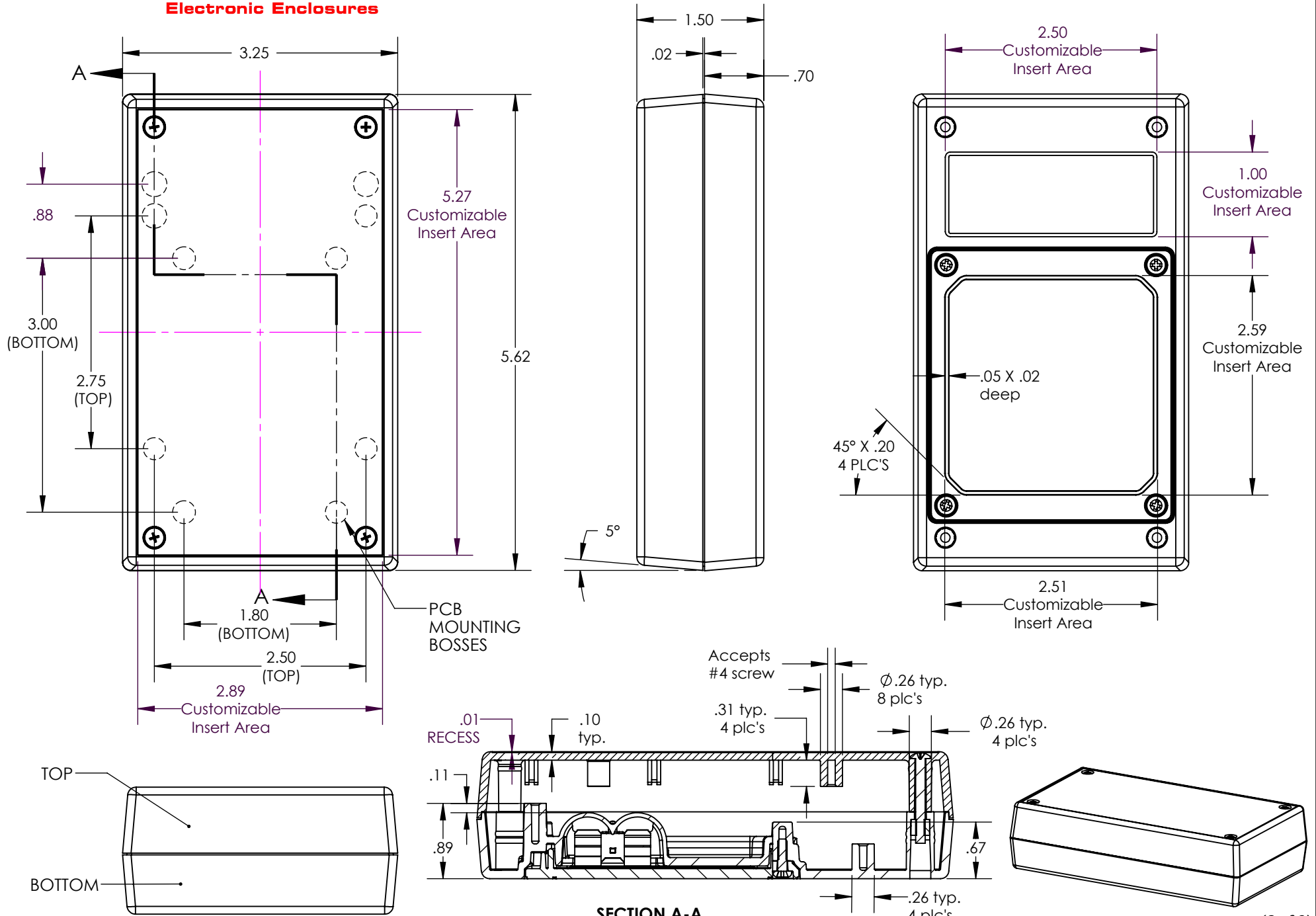
CUSTOMIZABLE
0.015" RECESS AREA
NON-TEXTURE
2.89"X 5.27"

PART NO.	DESCRIPTION (Included)	ACCESSORIES (Optional)	
5-1Ri	Top	PART NO.	DESCRIPTION
152AA	2AA Bottom	50	Non-skid Feet
1026	Access Door	SK5	Seal Kit for 15X
6005	#4X3/8" Self-Tapping Screw (4)		
6017	4-40 Screw (4)		
6102	4-40 Threaded Insert (4)		
73	Double Battery Contact (3)		
72	Single Battery Contact (2)		

- Notes:
- 1) Enclosure weight .31 lb / 142 g
 - 2) Enclosure meets or exceeds IP40 and NEMA 1
 - 3) When used with SK5 the enclosure meets or exceeds IP 67 and NEMA 4X, 12 and 13 MIL-STD-810G 506.5 (.02 lb / 11g)
 - 4) Circuit Board drawings see sheet 3.
 - 5) All components are RoHS Compliant.

SERPAC 151Ri4AA

Electronic Enclosures



SECTION A-A

ALL DIMENSIONS ARE ±.010" 5/11/2020 (2 of 3)
 2009 Wright Ave. La Verne, CA 91750
 Ph. (626) 331-0517 Fx. (626) 331-8584 www.serpac.com