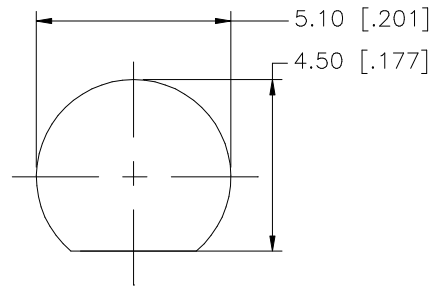
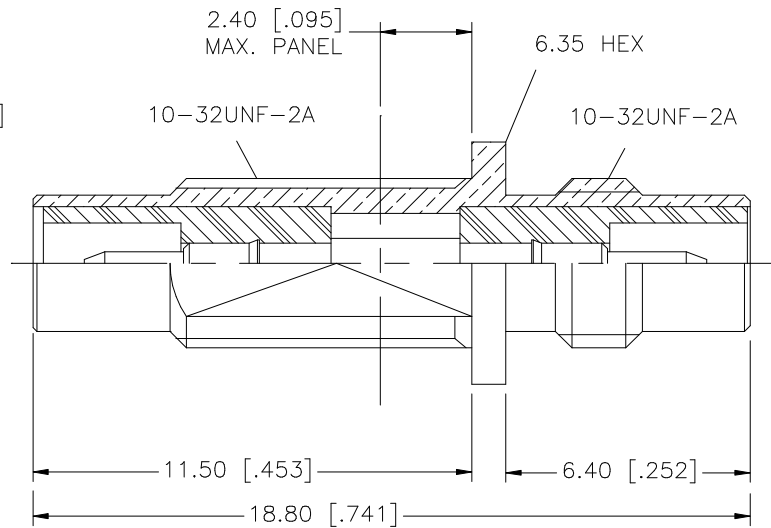
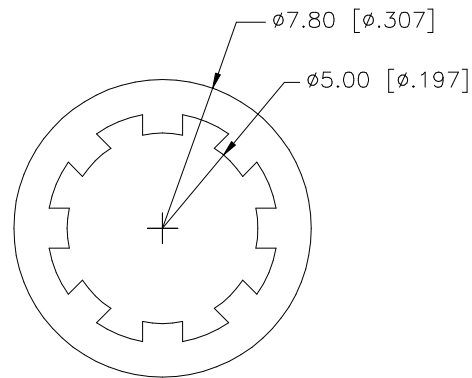
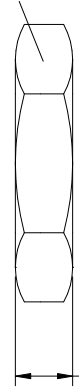


REV.	DATE	DESCRIPTION
NC	05/22/07	INITIAL RELEASE



RECOMMENDED  
MOUNTING HOLE

6.35 HEX



8				
7				
6				
5	HEX NUT	BRASS	GOLD	1
4	LOCK WASHER	BRASS	GOLD	1
3	CONTACT PIN	BRASS	GOLD	1
2	INSULATOR	TEFLON	NATURAL	1
1	BODY	BRASS	GOLD	1
	DESCRIPTION	MATERIAL	FINISH	QTY

UNLESS OTHERWISE SPECIFIED DIMENSIONS ARE IN MILLIMETERS. DIMENSIONS IN [ ] ARE IN INCHES AND FOR CUSTOMER REFERENCE ONLY.

UNLESS OTHERWISE SPECIFIED TOLERANCES FOR MILLIMETERS ARE:  
0.5 - 8mm ± 0.20mm  
8 - 30mm ± 0.40mm  
30 - 120mm ± 0.50mm

UNLESS OTHERWISE SPECIFIED TOLERANCES FOR INCHES ARE:  
.020 - .315 = ± 0.007"  
.315 - 1.180 = ± 0.015"  
1.180 - 4.724 = ± 0.020"

DO NOT SCALE DRAWING

APPROVALS	DATE
DRAWN G.R.S.	05/22/07
CHECKED	
ISSUED	
SHEET 1 OF 1	
CAD FILE	C:/152/152145.DWG

**Amphenol Connex**

PART DESCRIPTION	SMC BULKHEAD JACK TO JACK ADAPTER			
PART NO.	152145			
DWG. NO.	152145.DWG	REV.	NC	SCALE NA