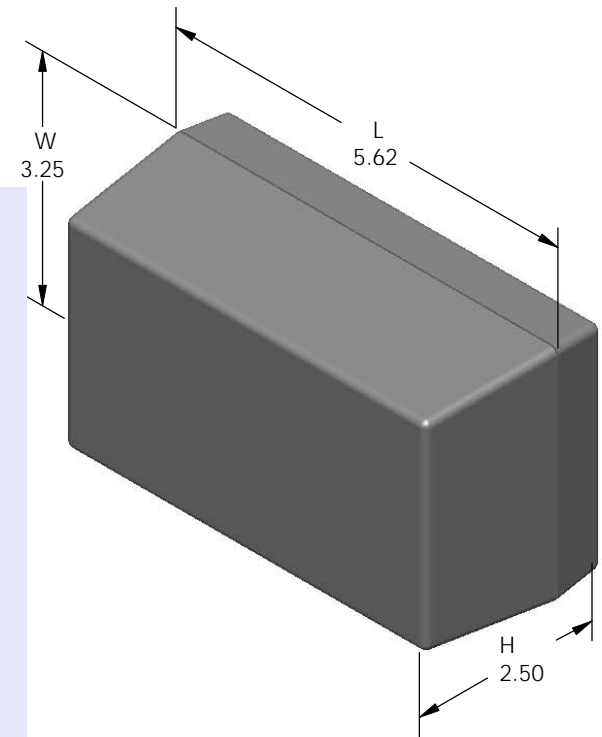
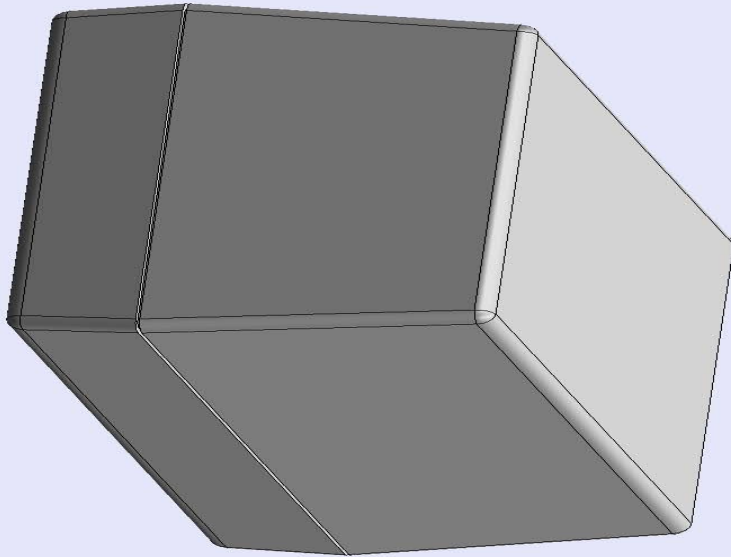


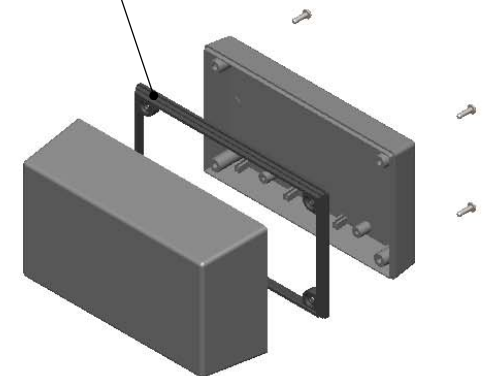
# SERPAC153 (exploded isometric)

Electronic Enclosures

- Click on image to show toolbar. Use ▶ || to Play/Pause Animation.
- Left click and drag on image to move 3D model.



Water proofing gasket  
PS15 optional.  
see note #2



- a) Zoom in & out with center wheel.
- b) Pause at any moment to view and or print views.
- c) Change the views to ortho and section views if needed from the Views pull down menu.
- d) Explore options included in the tool bar like: Views, Transparency of model, Lighting type, etc.

Notes: Enclosure weight .30 lbs / 135 gm

- 1) Enclosure meets or exceeds IP40 and NEMA 1
- 2) When used with PS15 the enclosure meets or exceeds IP 67 and NEMA 4X, 12 and 13 MIL-STD-810G 506.5
- 3) Circuit Board drawings can be download at:

TOP:

<http://www.serpac.com/Accessories/CircuitBoard/drawings/X53.pdf>

BOTTOM:

<http://www.serpac.com/Accessories/CircuitBoard/drawings/350-450-cbg.pdf>

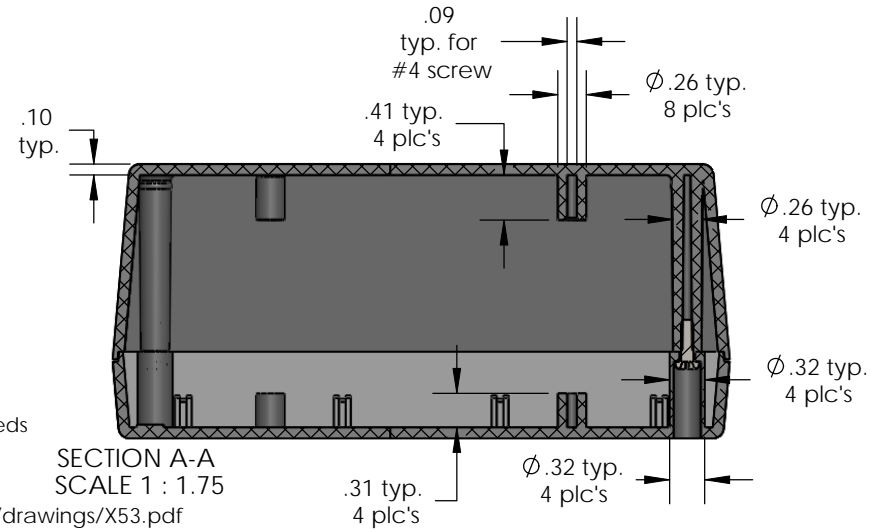
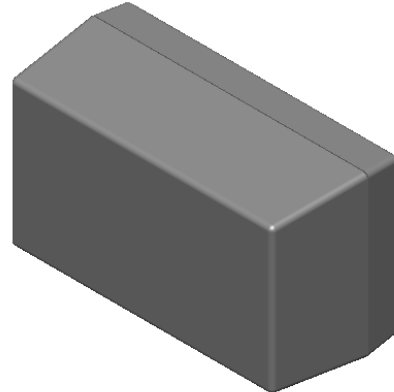
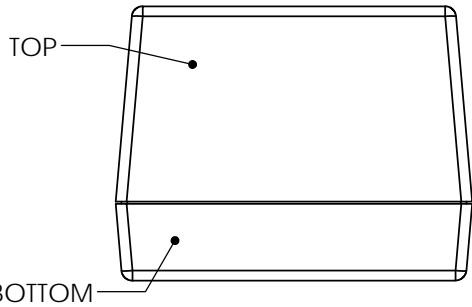
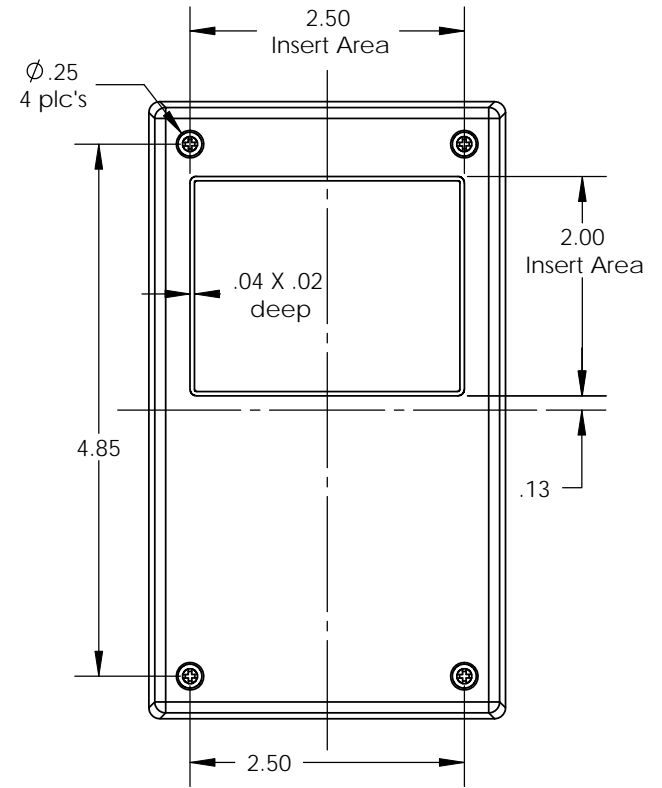
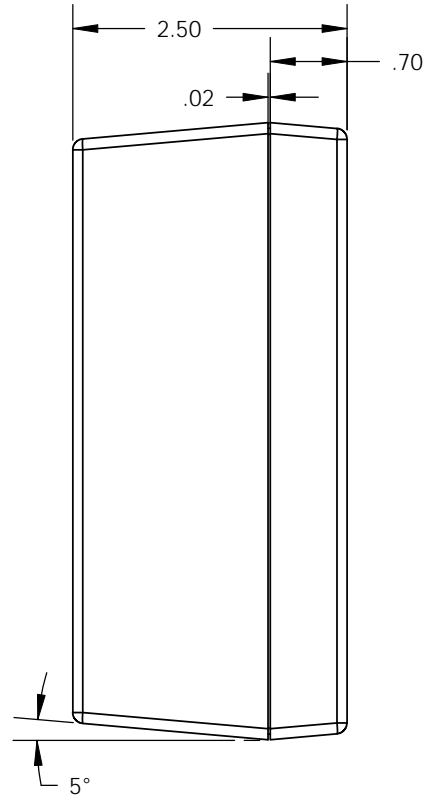
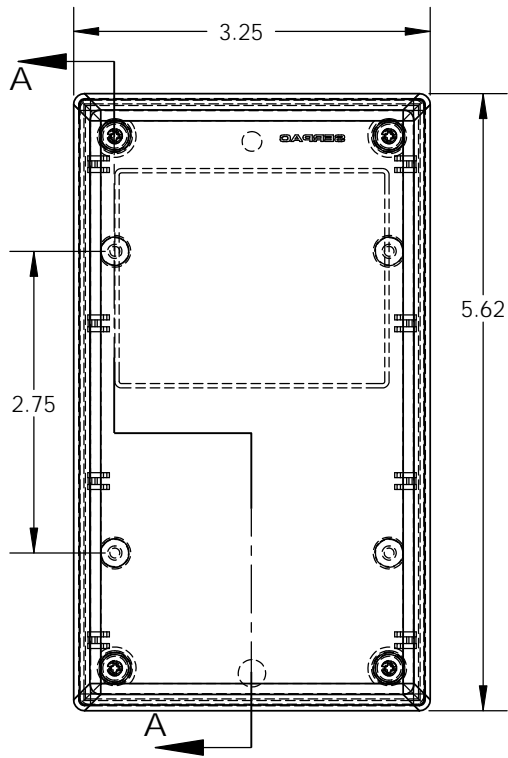
- 4) All components are RoHS Compliant.

PART NO.	DESCRIPTION (Included)	ACCESSORIES (Optional)	
		PART NO.	DESCRIPTION
5-3	TOP		
15	BOTTOM	50	Non-skid Feet
6005	#4X3/8" Self tapping (4)	PS15	Perimeter Seal
		350	Prototype grid board (bottom)
		450	Prototype clad board (bottom)

ALL DIMENSIONS ARE ±.010" 4/05/10 (1 of 2)  
619 Commercial Ave. Covina, CA 91723  
Ph. (626) 331-0517 Fx. (626) 331-8584 serpac.com

# SERPAC 153 (user print)

Electronic Enclosures



Notes: Enclosure weight .26 lbs / 119 gm  
 1) Enclosure meets or exceeds IP40 and NEMA 1  
 2) When used with PS15 the enclosure meets or exceeds IP 67 and NEMA 4X, 12 and 13 MIL-STD-810G 506.5  
 3) Circuit Board drawings can be download at:  
 TOP: <http://www.serpac.com/Accessories/CircuitBoard/drawings/X53.pdf>  
 BOTTOM: <http://www.serpac.com/Accessories/CircuitBoard/drawings/350-450-cbg.pdf>  
 4) All components are RoHS Compliant.

PART NO.	DESCRIPTION (Included)	ACCESSORIES (Optional)	
5-3	TOP	PART NO.	DESCRIPTION
15	BOTTOM	50	Non-skid Feet
6005	#4X3/8" self tapping (4)	PS15	Perimeter Seal
		350	Prototype grid board
		450	Prototype clad board

SECTION A-A  
 SCALE 1 : 1.75