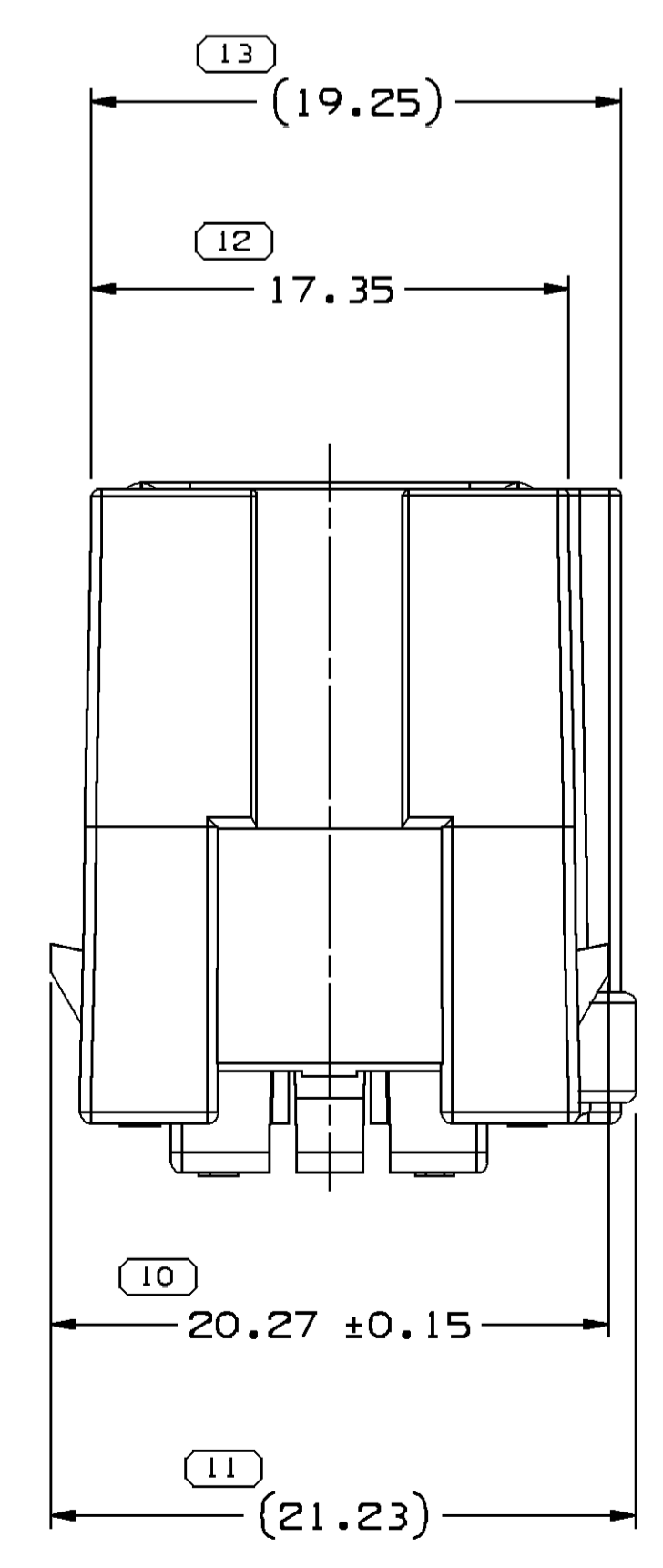
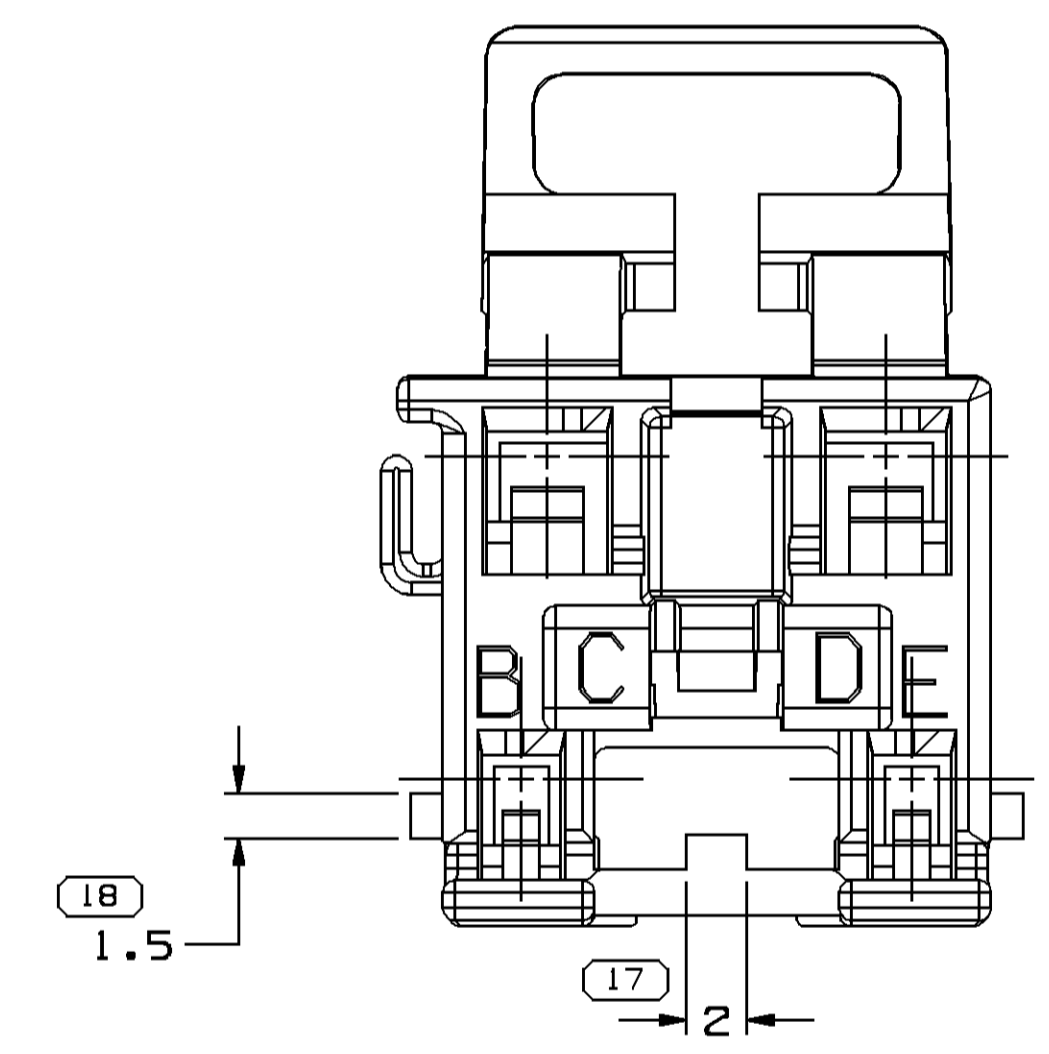
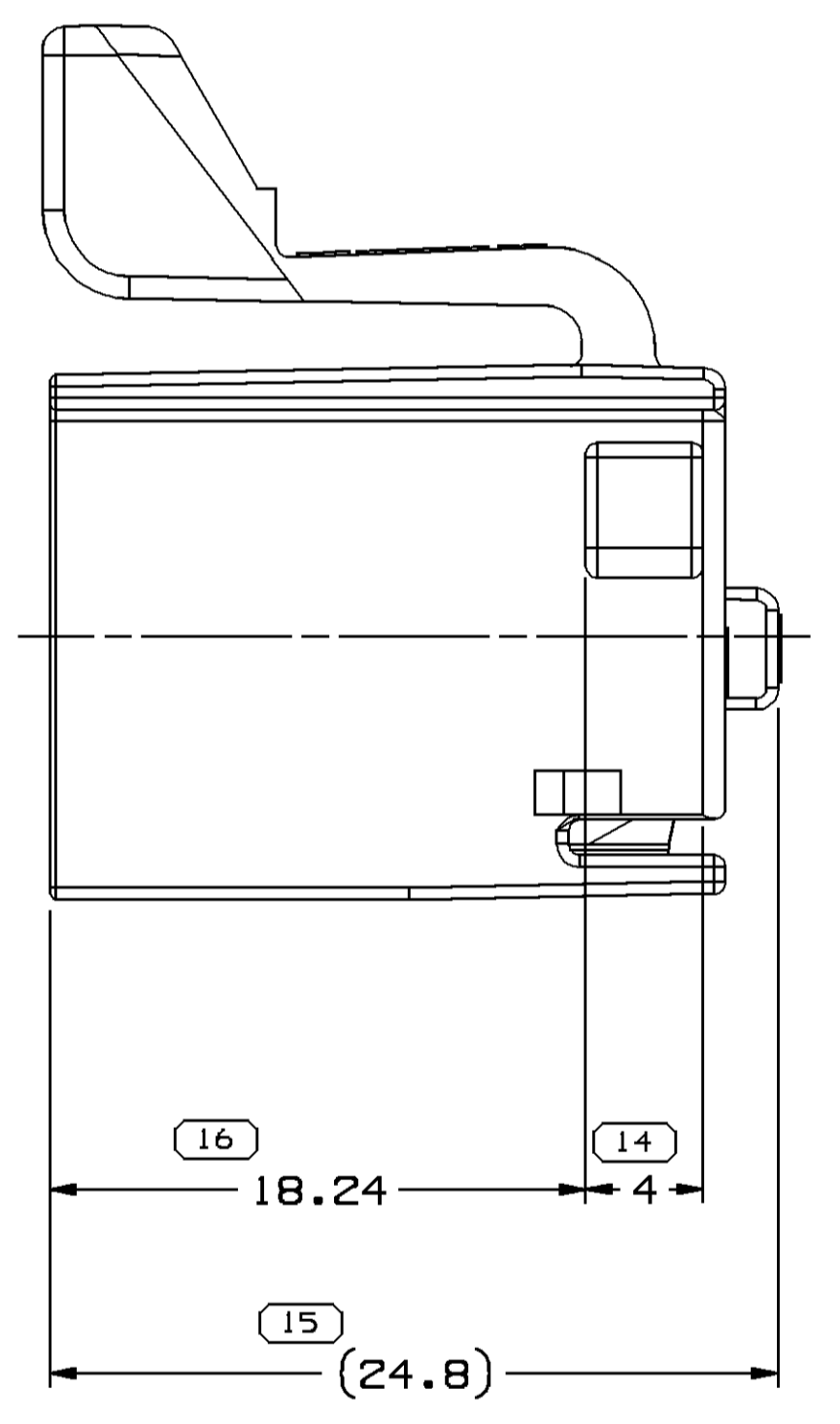
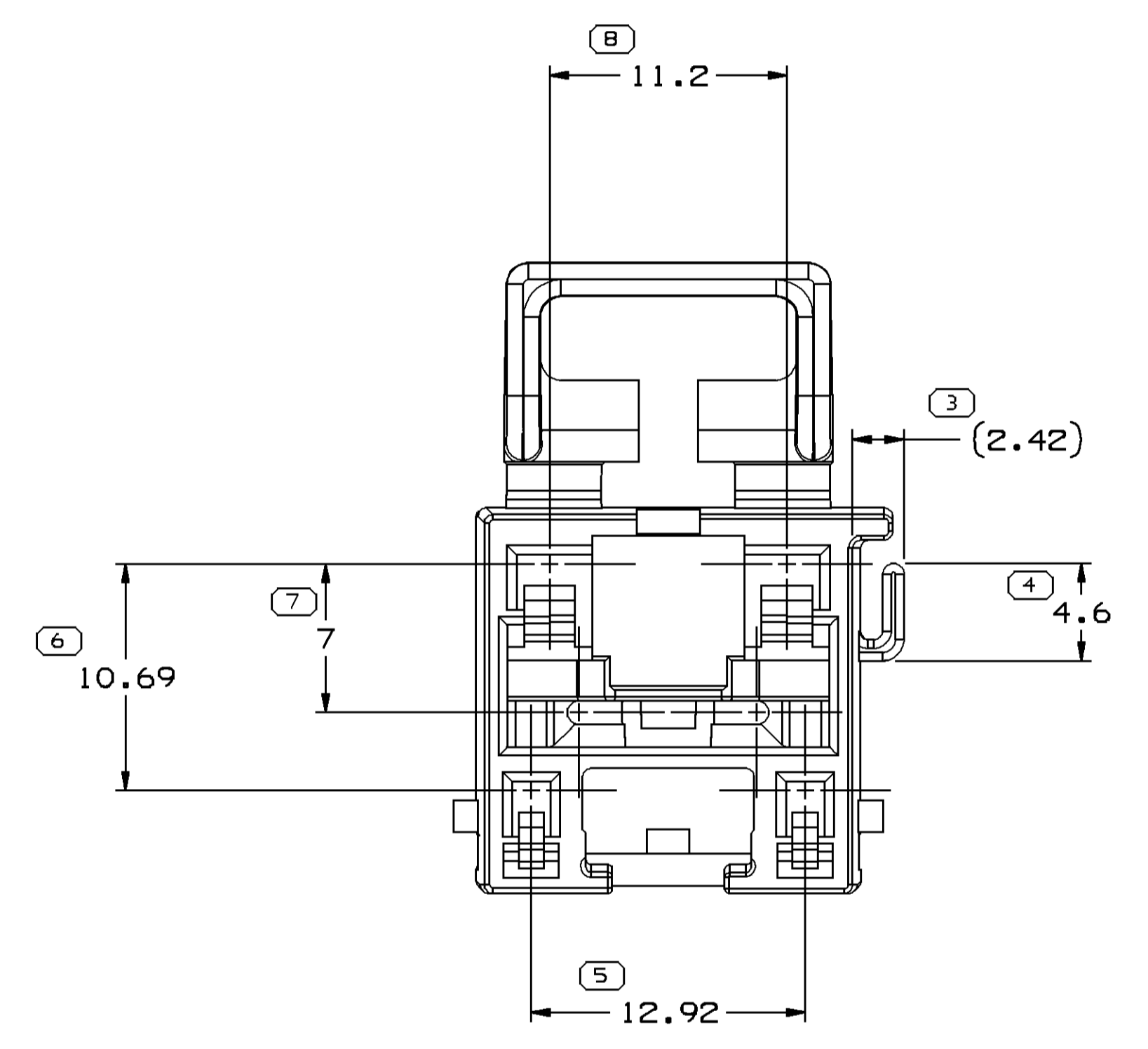
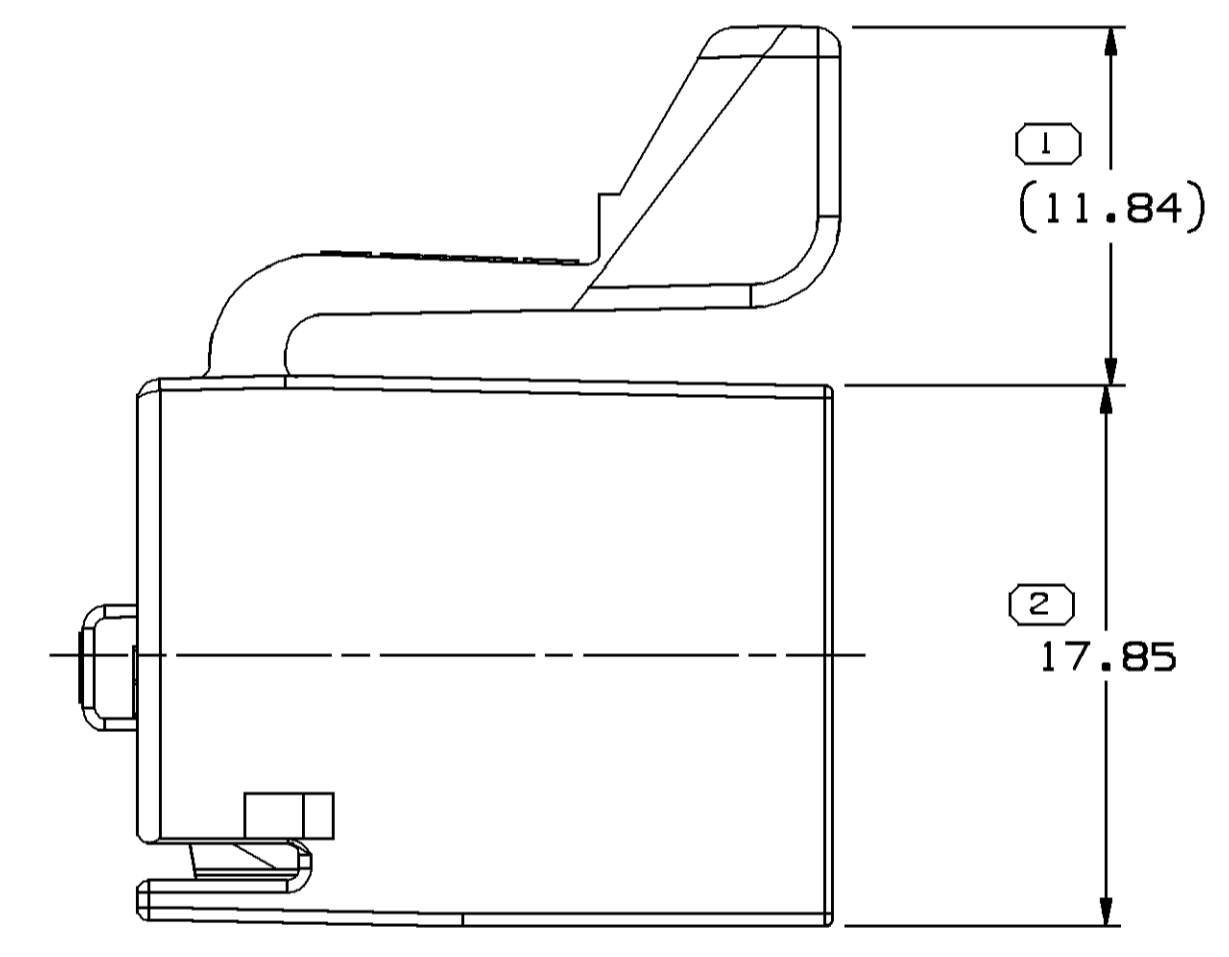
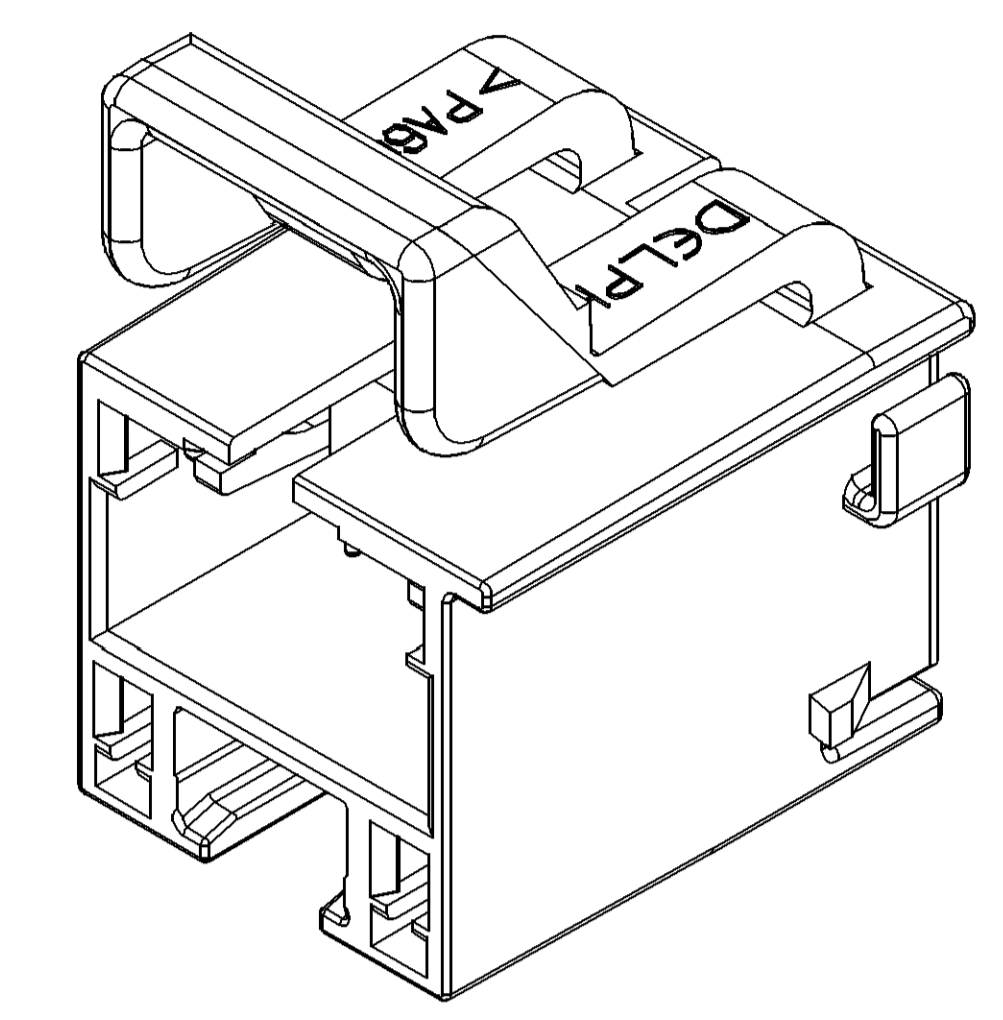
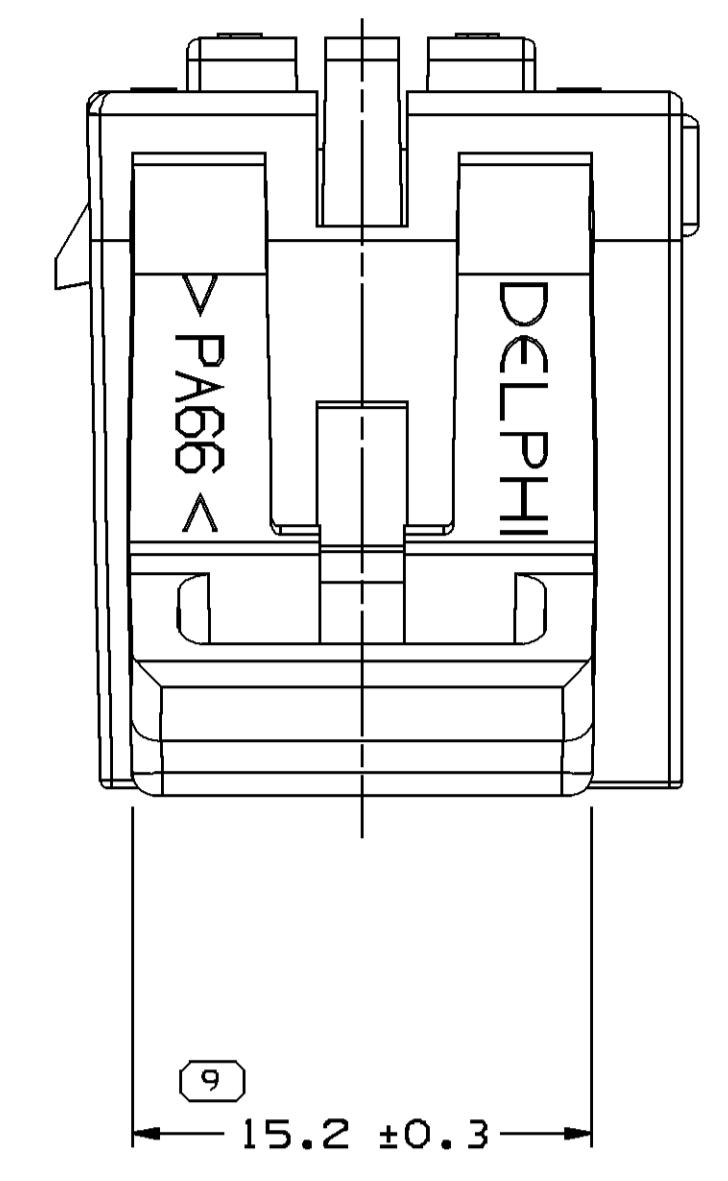


SYMBOL DEFINITION		MISSING SYMBOLS	
A DIMENSION WITHOUT AN INSPECTION REPORT SYMBOL DOES NOT REQUIRE INSPECTION. IT MAY BE CONTROLLED ON THE INDIVIDUAL COMPONENT DRAWING.	TOTAL NO OF INSPECTIONS REQUIRED	NO MISSING SYMBOL NUMBER	
	18		
	LAST NO. USED		
	18		

DWG STATUS				REVISION HISTORY		AUTH		APPROV	
DATE	STG	REV	N/P	CHG	ZONE				
08FE96	R	A	-	-		WAS PE044253: REVISED & RELEASED	960005	JBS	JBS
24AP96	R	B	-	-		REVISED GRAPHICS	172073	EMB	FKV
30JN96	R	C	-	-		REVISED	174038	PHC	RPO
06DE96	R	D	-	-		REVISED	175784	JVM	PYP
19MR97	R	E	-	-		REVISED & GRAPHICS	178002	OOD	MVA
26MR07	R	EI	-	-		UPDATED PDM ATTRIBUTES	400919	MDH	JVM



NOTES

- UNLESS OTHERWISE SPECIFIED AND/OR INDICATED:  
DIMENSIONS ARE TO FACE OF VIEW SHOWN AND AUTOMATICALLY ROUNDED BY COMPUTER FOR INSPECTION (SEE MATH MODEL FOR PRECISE DIMENSIONS). FOR ALL OTHER DIMENSIONS NOT SHOWN BUT REQUIRED FOR TOOL BUILD, SEE MATH MODEL FOR PRECISE TOOL PATH DATA.
- MATERIAL RECYCLING CODE PER ISO 11469. (1.5X(0.1) RAISED CHARACTERS AS SHOWN TO BE LOCATED ON ANY EXTERIOR SURFACE. OPTIONAL CONSTRUCTION TO BE NO MATERIAL RECYCLING CODE.
- REFERENCE MATING COMPONENTS OR EQUIVALENT:  
CONNECTOR 15304656 AND 15304649
- THIS PART ACCEPTS THE FOLLOWING COMPONENTS OR EQUIVALENT:  
280 TERMINAL:  
CAVITIES C AND D USE 12176546 TERMINAL  
TERMINAL POSITION ASSURENCE 15304654  
150 TERMINAL:  
CAVITIES B AND E USE 12191802 TERMINAL  
TERMINAL POSITION ASSURENCE 15304655  
CONNECTOR POSITION ASSURENCE LOCK 12020833  
CONNECTOR TO ACCEPT SHORTING CLIP 12077920
- (1.5X(0.1) RAISED DELPHI CORPORATE BRAND TO BE LOCATED ON ANY EXTERIOR SURFACE, PREFERABLY VISIBLE AT FINAL ASSEMBLY. OPTIONAL CONSTRUCTION TO BE "PED" OR NO LOGO.

DWG TYPE PART DRAWING		DATE	
STYLE	DISTR CODE	DATE	
VOLUME 10/1	D	DATE	
UNLESS OTHERWISE SPECIFIED THIS DOCUMENT IS IN ACCORDANCE WITH ASME Y14.5M-1994 AS MODIFIED BY THE IN SUPPLY DRAWING AND TOLERANCE ADDENDUMS. SEPARATE RATINGS OF FEATURES MAY BE OBTAINED SEPARATELY PER ASME Y14.5M-1994 REFERENCES.			
ALL DIMENSIONS ARE IN MILLIMETERS			
REFERENCE 12066330		DRAWING NAME CONN 4 F GT 150 280	
DRAWING NUMBER 15304653		DRAWING NUMBER 15304653	
SCALE 4:1		SHEET NO 1 OF 1	
FRAME NO 1		REV N/P R E I	

**DELPHI**  
DELPHI PACKARD ELECTRICAL/ELECTRONIC ARCHITECTURE  
MVBEN, OH

DR	DATE
APV01 B. SHATTUCK	03FE95
APV02 B. SHATTUCK	03FE95
APV03 G. HERLINGER	28FE96
APV04	
APV05	

SUBSTANCES OF CONCERN AND RECYCLED CONTENT PER DELPHI 1094001

WATERLON W3592006 PA66 HS 1M YEL

SIZE  
A0

DIMENSIONAL RANGE (MM)		SHORT ET	
FROM	TO		
> 0	> 30	> 100	> 200
> 30	> 70	> 150	> 300
> 70	> 100	> 200	> 300
> 100	> 150	> 200	> 300
> 150	> 200	> 250	> 300
> 200	> 250	> 300	> 400
TOLERANCE UNLESS OTHERWISE SPECIFIED			
±0.15	±0.2	±0.3	±0.4
±0.5	±0.6	±0.8	±1
±1.2	±1.5	±2	±3
ANGULAR TOLERANCE 30°			