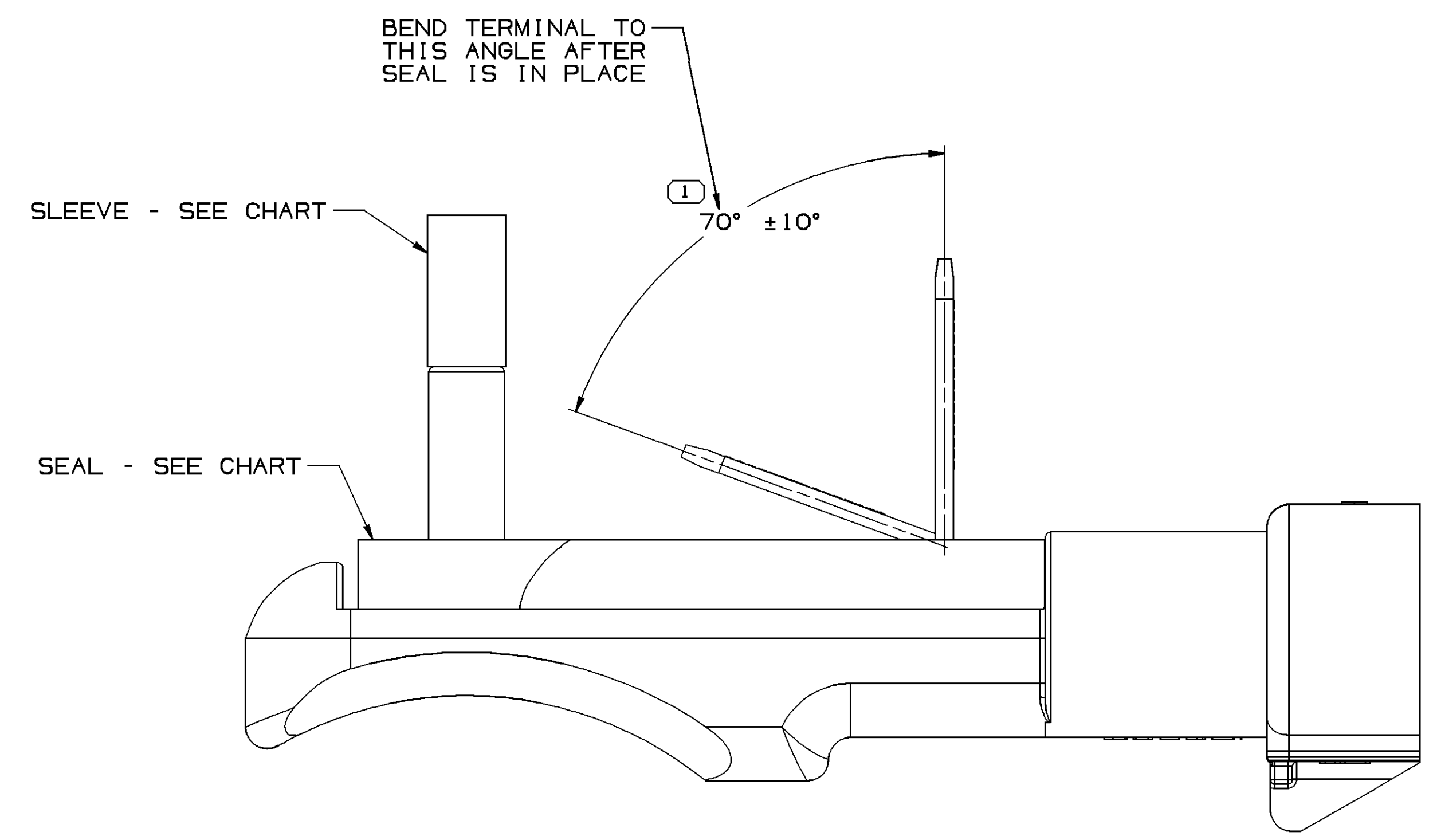
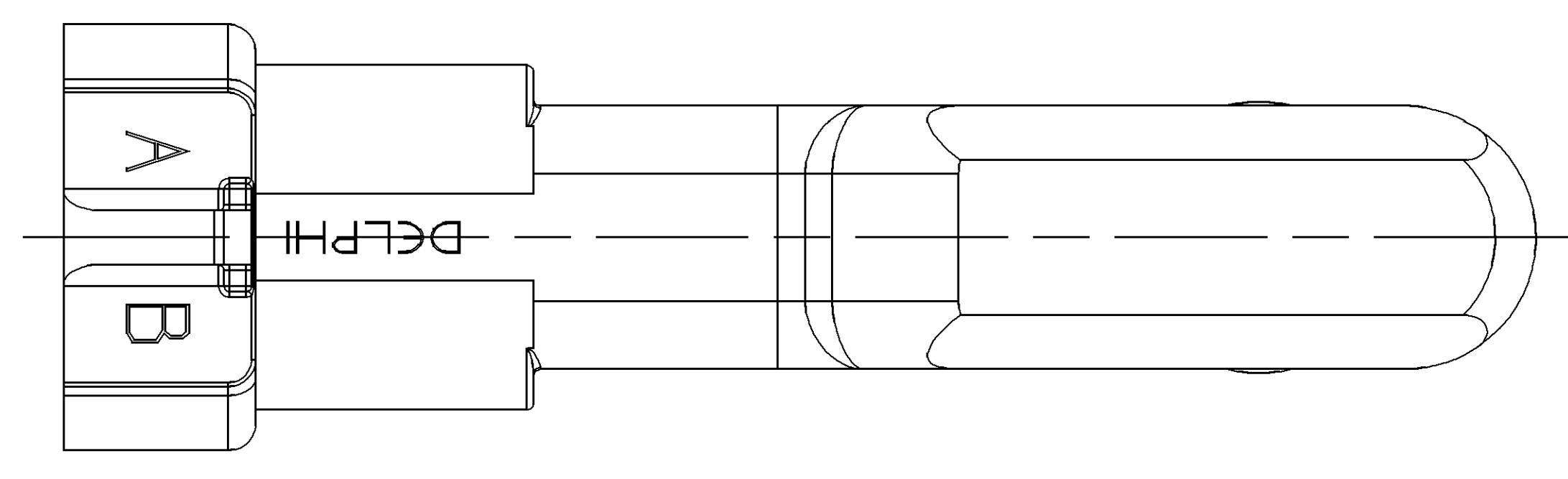
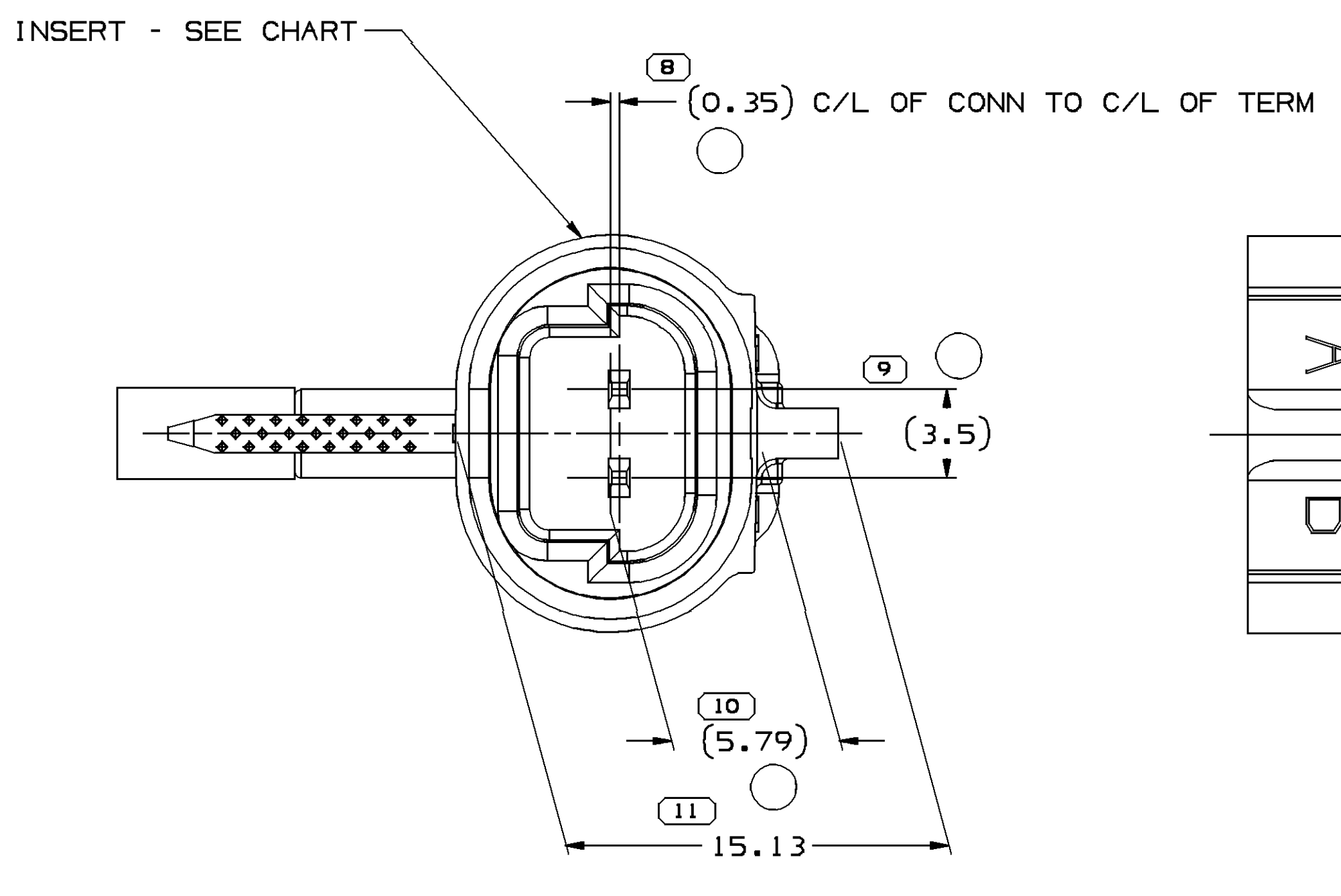
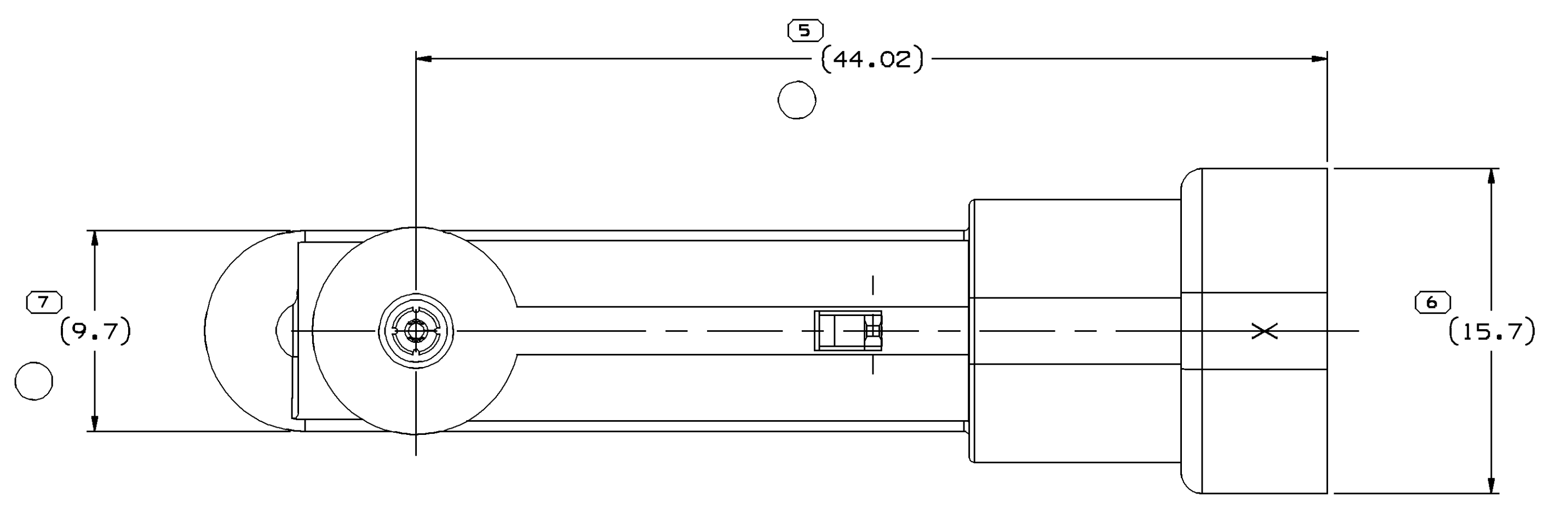
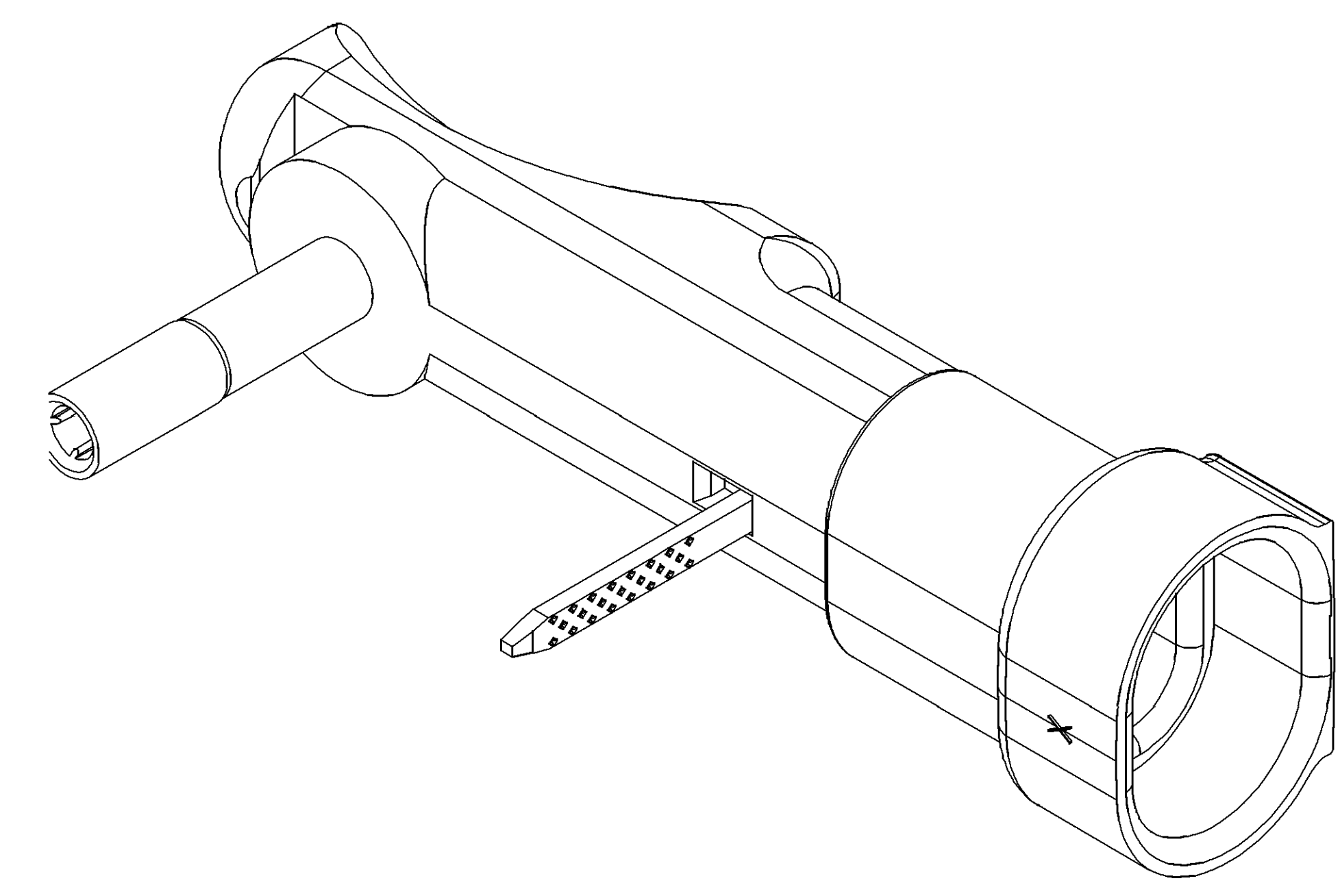
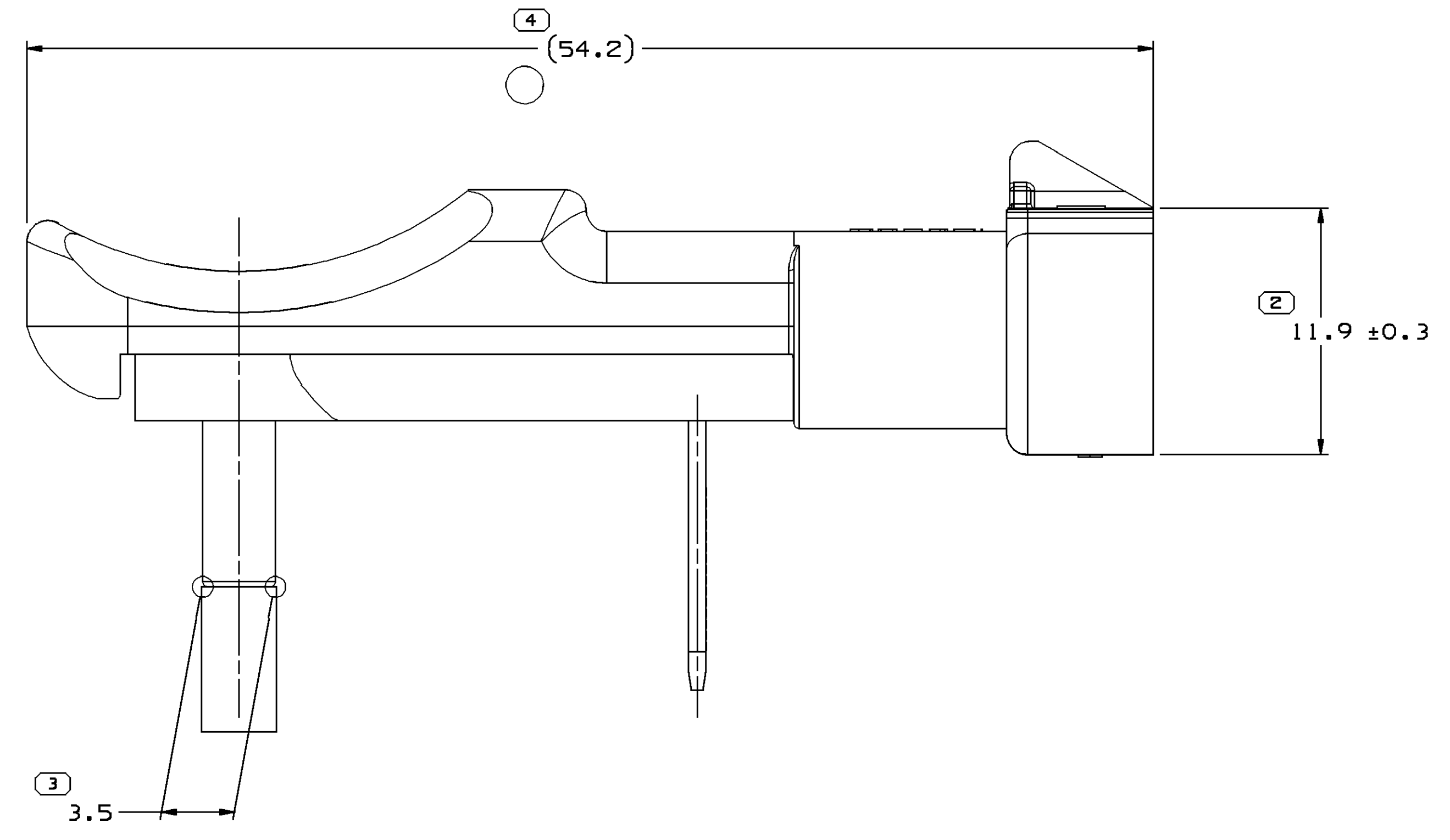


SYMBOL DEFINITION		MISSING SYMBOLS	
A DIMENSION WITHOUT AN INSPECTION REPORT SYMBOL DOES NOT REQUIRE INSPECTION. IT MAY BE CONTROLLED ON THE INDIVIDUAL COMPONENT DRAWING.	TOTAL NO OF INSPECTIONS REQUIRED	NO MISSING SYMBOL NUMBER	
	11		
	LAST NO. USED		
	11		

DWG STATUS				REVISION HISTORY				AUTH		APPROV	
DATE	STD	REV	W/P	CHG	ZONE			NO	BY	NO	BY
16A02	R	05	AB	-		CLEARED REV COLUMN AND 15436067 WAS 15317915	224030	AMG	AMG	ESD	
26A04	R	06	-	-		15.13 WAS 15.33; REVISED LOCK RAMP	254363	ADK	ADK	JJ	
21J06	R	06	AA	-		UPDATED SUBCOMPONENT CALL OUTS AND REVISED DIMS TO REFERENCE 6 PLCS	282652	MM	MM	MF	



- NOTES
- UNLESS OTHERWISE SPECIFIED AND/OR INDICATED: DIMENSIONS ARE TO FACE OF VIEW SHOWN AND AUTOMATICALLY ROUNDED BY COMPUTER FOR INSPECTION (SEE MATH MODEL FOR PRECISE DIMENSIONS). FOR ALL OTHER DIMENSIONS NOT SHOWN BUT REQUIRED FOR TOOL BUILD, SEE MATH MODEL FOR PRECISE TOOL PATH DATA.
 - MATING COMPONENTS OR EQUIVALENT: DELPHI CHASSIS SHOCK RING 22154254 & CUSTOMER PART: DELPHI CHASSIS SHOCK RING 22154216 CONNECTOR 12162852

PART DRAWING	
STYLE	
VOLUME 10/1	DISTR CODE
	D
UNLESS OTHERWISE SPECIFIED	
THIS DOCUMENT IS IN ACCORDANCE WITH ASME Y14.5M-1994 AS MODIFIED BY THE IN CHARGE, DIMENSIONING AND TOLERANCE MANUAL (1997). ALL DIMENSIONS UNLESS OTHERWISE SPECIFIED SHALL BE IN MILLIMETERS AND RELATED DATUMS SHALL BE TO THE CENTERLINE UNLESS OTHERWISE SPECIFIED. DIMENSIONS NOT SHOWN BUT REQUIRED FOR TOOL BUILD SHALL BE ESTABLISHED BY OBSERVATION OR LOCATION TOLERANCES. SURFACE FINISH CALLOUTS MAY BE SHOWN SEPARATELY, REGARDLESS OF DATUM REFERENCE. ALL DIMENSIONS ARE IN MILLIMETERS.	

DELPHI	
DELPHI PACK/ARD ELECTRIC SYSTEMS	
WVREN, OH	
DR	DATE
APV01 C. RAMIREZ	19MR97
APV02 PEDRO YABUR	04AP97
APV03 K. MURPHY	08AP97
APV04	
APV05	
SUBSTANCES OF CONCERN AND RECYCLED CONTENT PER DELPHI-A (094900)	
DRAWING NAME	
ASM CONN 2 M/F M/P 150	
MIC/P 100W COUPLING	
DRAWING NUMBER	
15304948	
SCALE	FRM NO
A0	1
SHEET NO	REV
1	06
1	AA

15304948	15436067	15411630	15317916
PART NO	INS MLDD	SLEEVE	SEAL

DIMENSIONAL RANGE (MM)		SHORT ET	
FROM	> 0	> 30	> 100
TO	20	70	100
TOLERANCE UNLESS OTHERWISE SPECIFIED		TOLERANCE UNLESS OTHERWISE SPECIFIED	
±0.15	±0.2	±0.3	±0.4
±0.5	±0.6	±0.8	±1
ANGULAR TOLERANCE 2°		ANGULAR TOLERANCE 2°	

THIRD ANGLE PROJECTION		DO NOT SCALE	
USE MATH DATA			

Date: 24-Jul-06 Time: 07:16