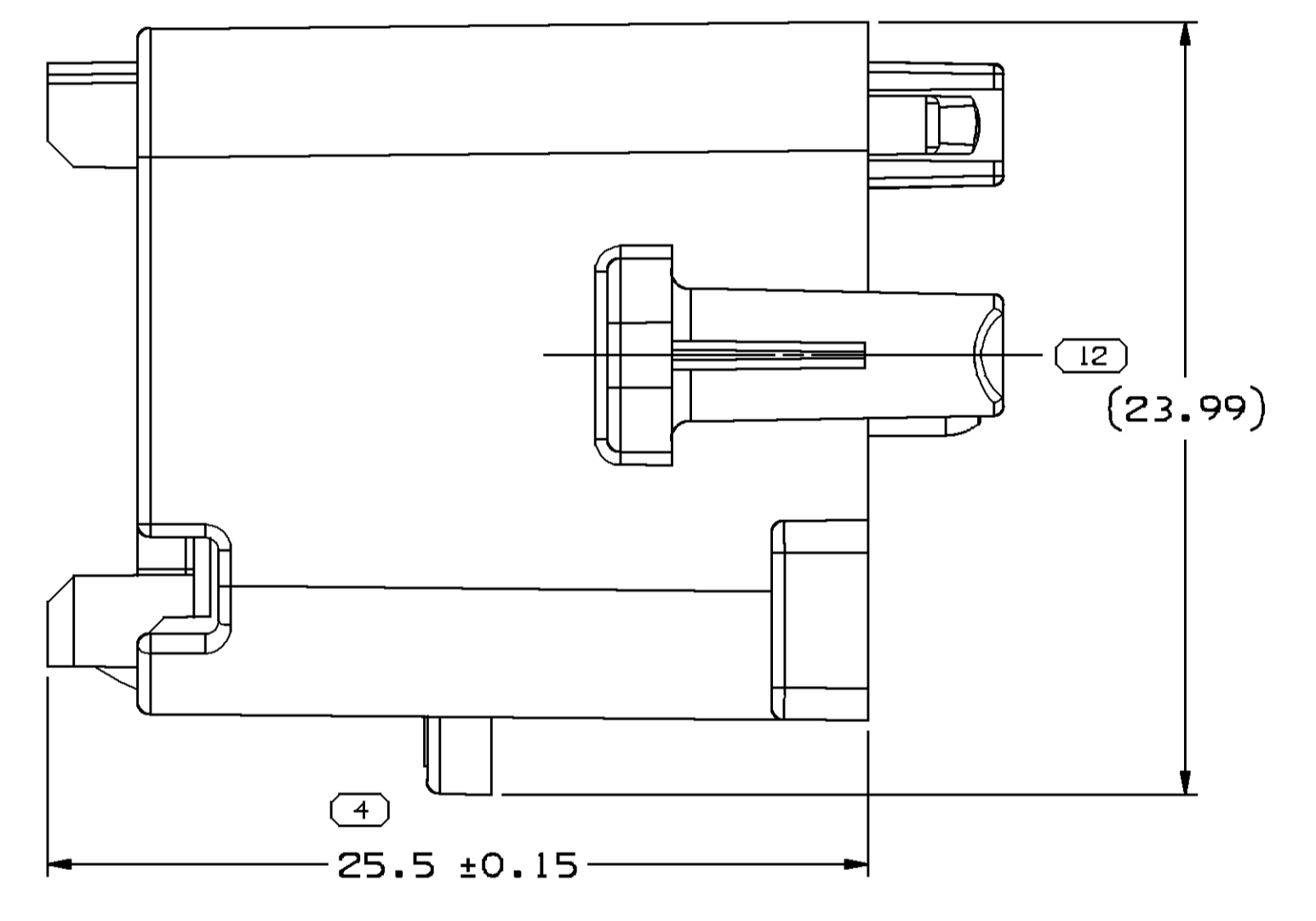
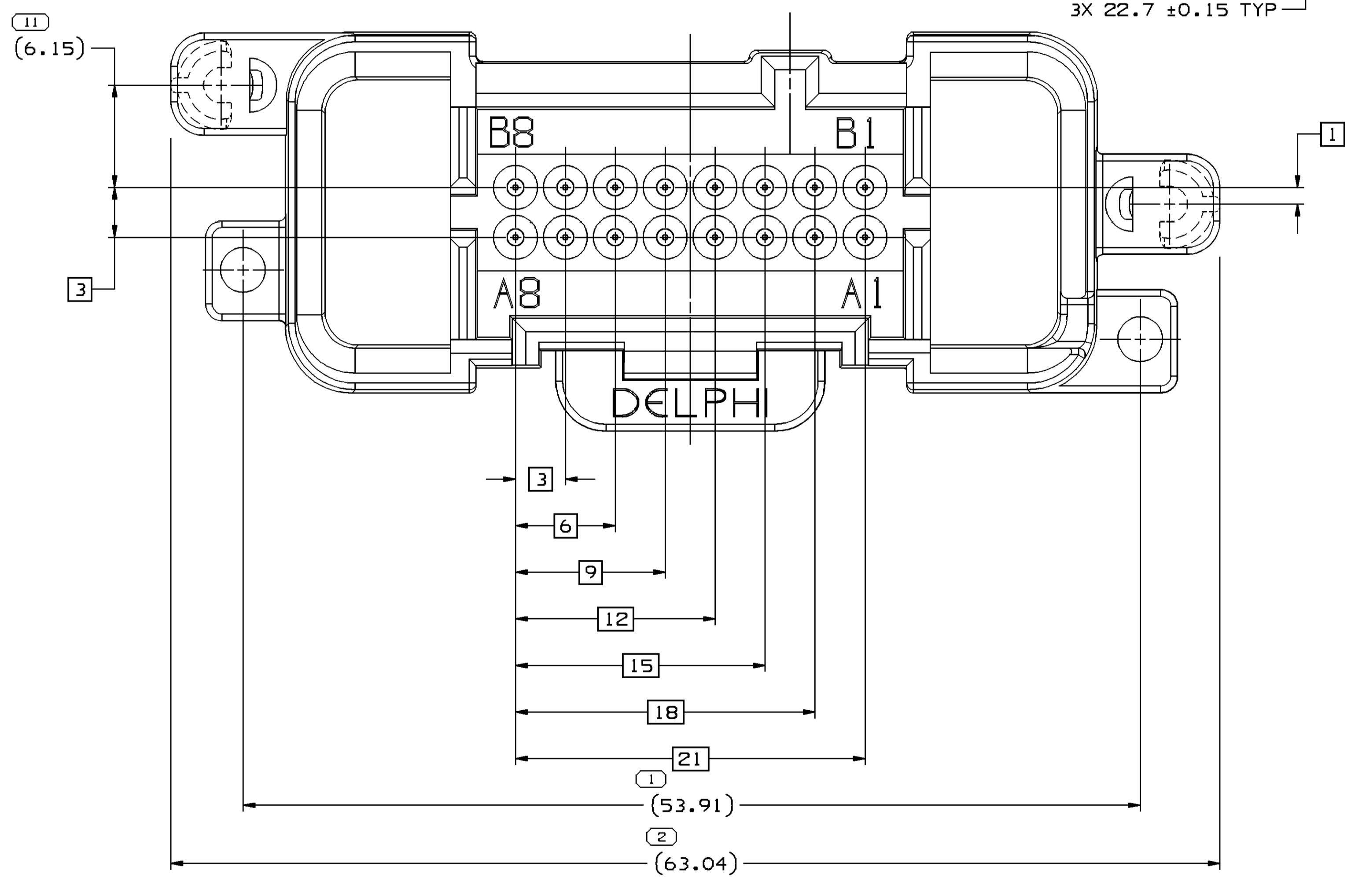
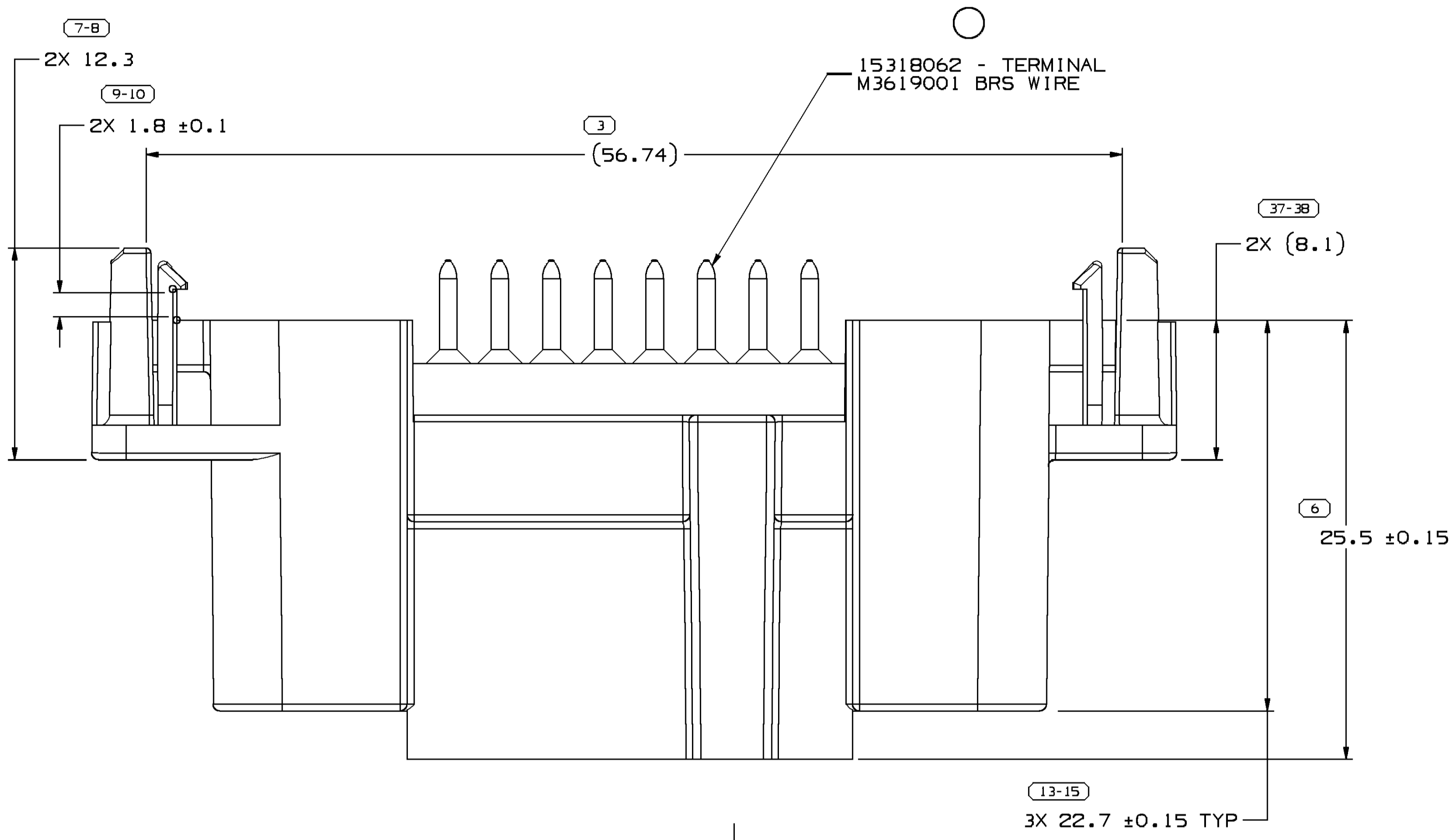
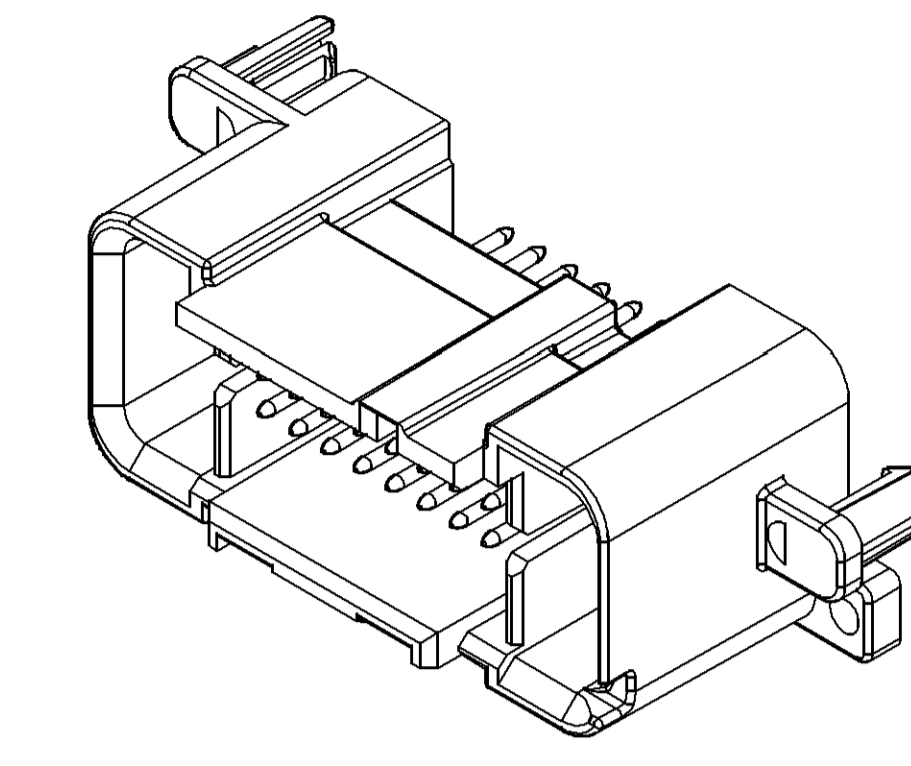
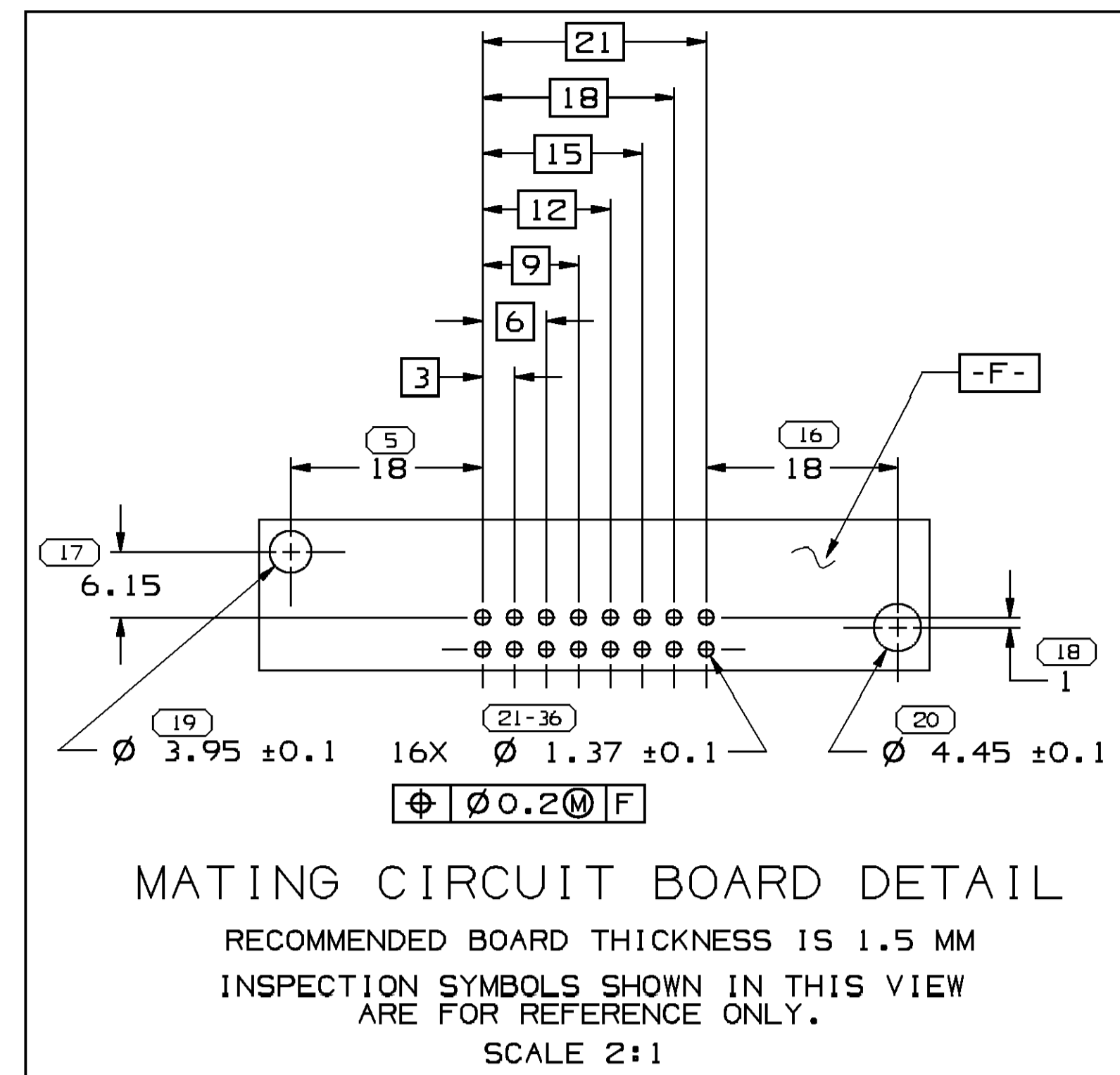


SYMBOL DEFINITION		MISSING NUMBERS	
THE NUMBER INSIDE THE SYMBOL () CORRESPONDS TO THE NUMBER ON THE INSPECTION REPORT FOR THIS DRAWING/PART NUMBER	TOTAL NO. OF SYMBOLS ON DRAWING	18	
	LAST NO. USED	38	

DWS STATUS					REVISION HISTORY					AUTH		DR		APVD	
DATE	STG	REV	IN/P	CHG	ZONE	Cleared revision column; redrawn to PD & updated PDM attributes					199944	AAS	061	061	
13AP00	R	C3	-	-	-	UPDATED 15318062 TERMINAL					410684	JEG	JVM	FBF	
06MY10	R	C4	-	-	-										



NOTES

- UNLESS OTHERWISE SPECIFIED AND/OR INDICATED: DIMENSIONS ARE TO FACE OF VIEW SHOWN AND AUTOMATICALLY ROUNDED BY COMPUTER FOR INSPECTION (SEE MATH MODEL FOR PRECISE DIMENSIONS). FOR ALL OTHER DIMENSIONS NOT SHOWN BUT REQUIRED FOR TOOL BUILD, SEE MATH MODEL FOR PRECISE TOOL PATH DATA.
- MATERIAL RECYCLING CODE PER ISO 11469. (1.5)X(0.1) CHARACTERS AS SHOWN TO BE LOCATED ON ANY EXTERIOR SURFACE.
- MATING COMPONENTS OR EQUIVALENT: CONNECTOR 15305356 OR I20B4945
- SOLDER END OF TERMINALS MUST MEET SOLDERABILITY REQUIREMENT PER E50-1503.
- ALL PARTS MUST BE ELECTRICALLY FUNCTIONAL. THIS INCLUDES TESTS FOR OPEN CIRCUITS, SHORTS AND 500V DC HI-POT CIRCUIT ISOLATION.
- THIS PRODUCT IS NOT CATEGORIZED AS AN APPEARANCE ITEM. MINOR IMPERFECTIONS INCLUDING, BUT NOT LIMITED TO, FLOW MARKS, COLOR BLEMISHES, GATE VESTIGE, AND SOFT FLASH THAT DO NOT AFFECT THE FIT, FORM, OR FUNCTION OF THE PART ARE PERMISSIBLE PER DPNP-4.7-CS-01.

DIMENSIONAL RANGE (MM)		CHART E1	
FROM	TO	>	>
0	20	70	100
20	30	100	150
30	70	150	200
70	100	200	250
100	200	250	300
200	300	300	400

THIRD ANGLE PROJECTION	DO NOT SCALE	USE MATH DATA

DELPHI
 DELPHI PACKARD ELECTRICAL/ELECTRONIC ARCHITECTURE
 WARREN, OH

DR	DATE
APV01 S. LIMON A.	11FE97
APV02 FCO. KOPCA	12FE97
APV03 V. BANCROFT	11MR97
APV04	

SUBSTANCES OF CONCERN AND RECYCLED CONTENT PER DELPHI (09449001)

MATERIAL: PLAS PBT GF30 GRA DK

DRAWING NAME: ASM CONN 16 M MIC/P 100 HEADER

DRAWING NUMBER: 15305355

SIZE	SCALE	FRAME NO	SHEET NO	STG	REV	IN/P
A0	5:1	1	2	1	R	C4