
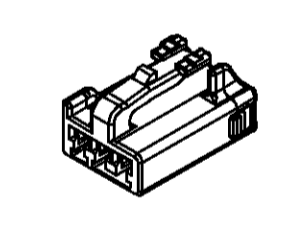
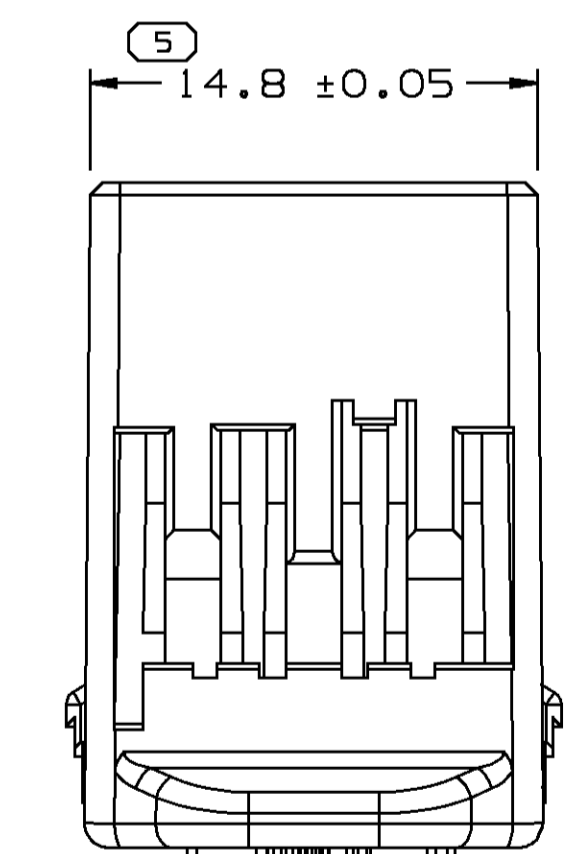
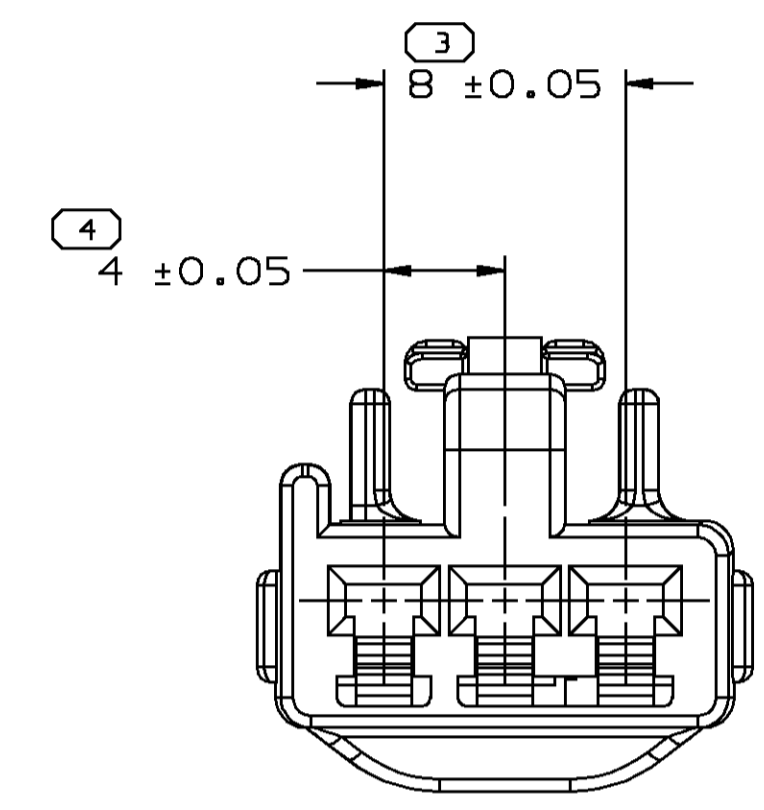
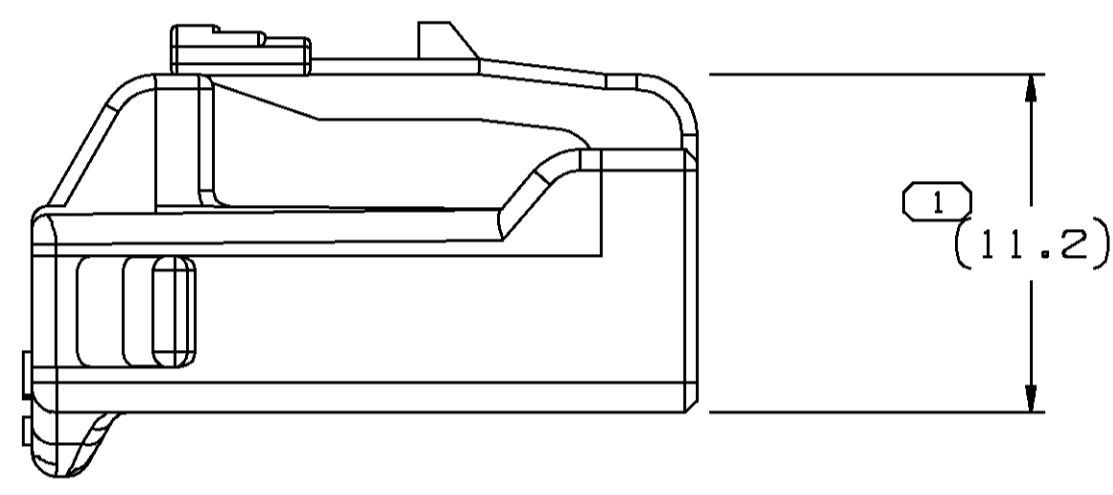
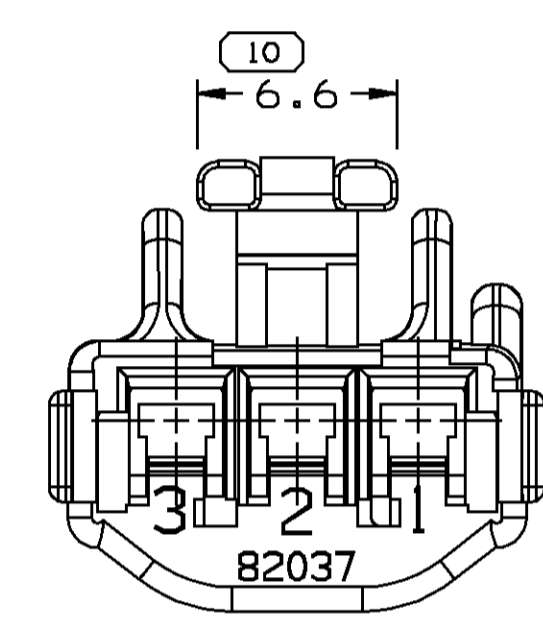
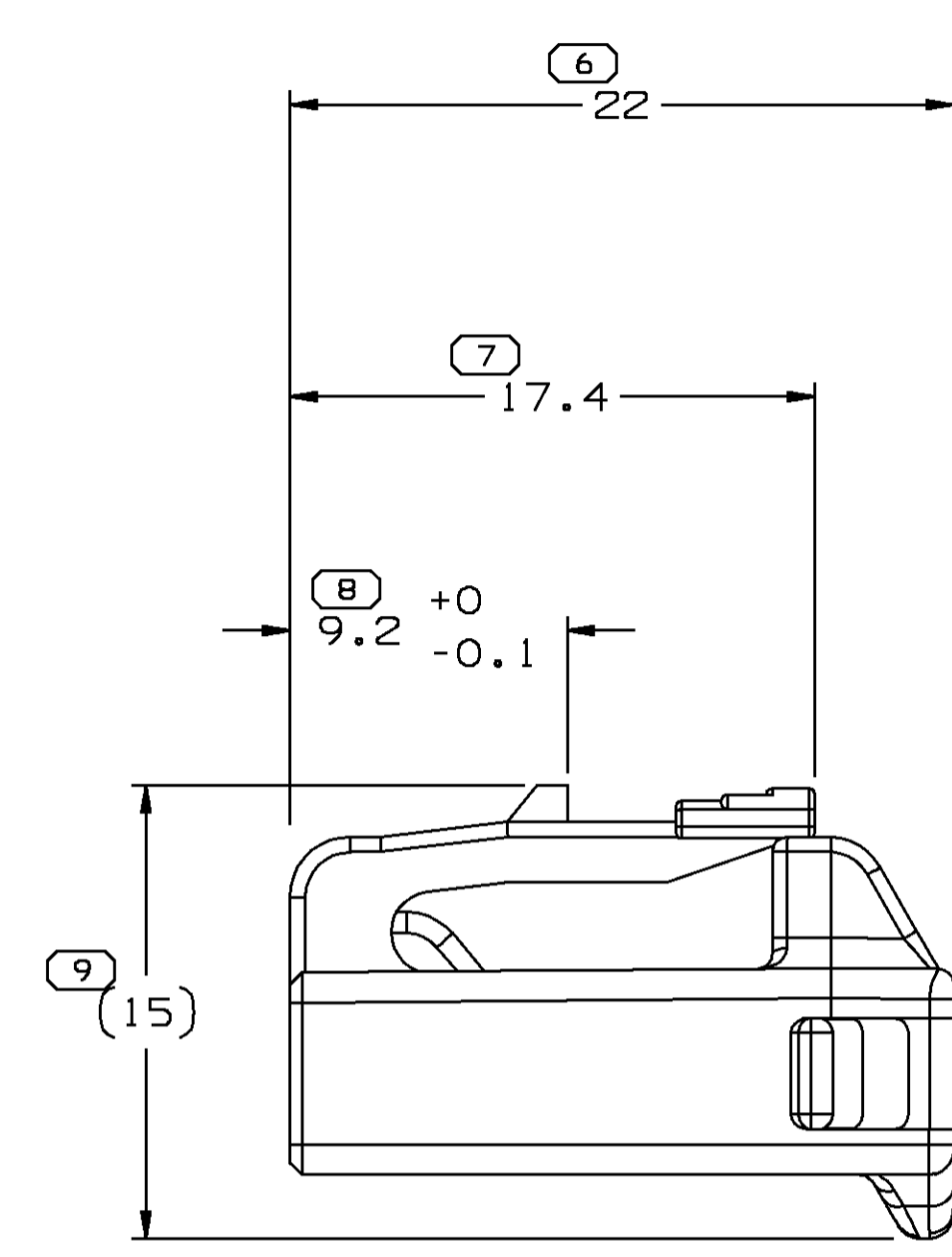
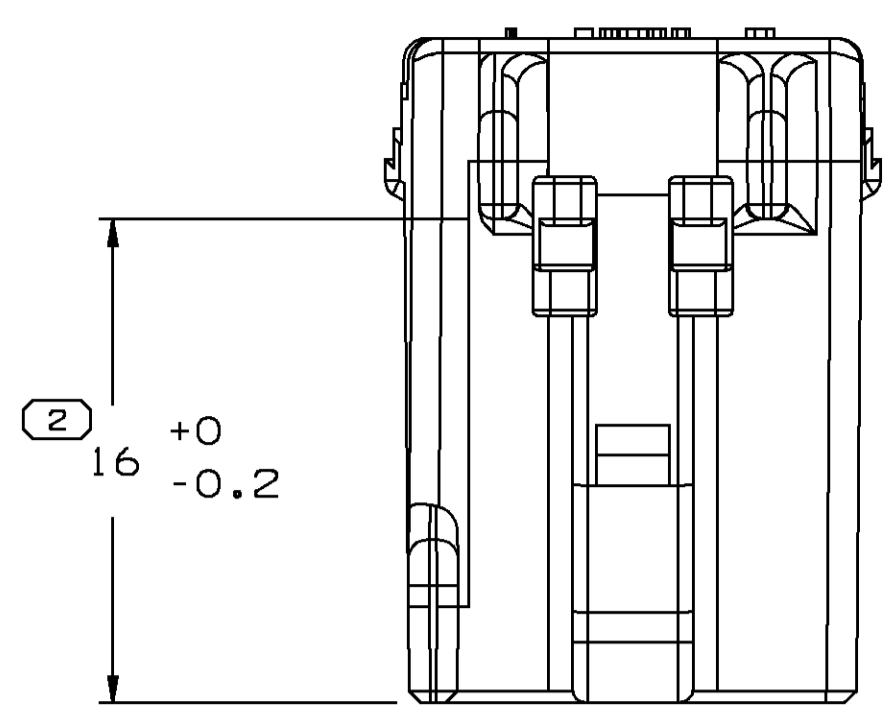


SYMBOL DEFINITION		MISSING NUMBERS	
THE NUMBER INSIDE THE SYMBOL  CORRESPONDS TO THE NUMBER ON THE INSPECTION REPORT FOR THIS DRAWING/PART NUMBER	TOTAL NO. OF SYMBOLS ON DRAWING	10	
	LAST NO. USED	10	

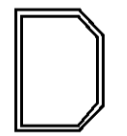

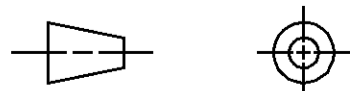
DWG STATUS				ZONE	REVISION HISTORY			AUTH	DR	CK	APVD	
DATE	STG	REV	CHG	N/P		Cleared Revision Column ALL PARTS - REVISED NOTES & TOLERANCES			198618	JHH	JHH	DJS
22FE00	R	001	-	-								



NOTES:

- UNLESS OTHERWISE SPECIFIED AND/OR INDICATED: DIMENSIONS ARE TO FACE OF VIEW SHOWN AND AUTOMATICALLY ROUNDED BY COMPUTER FOR INSPECTION. (SEE MATH MODEL FOR PRECISE DIMENSION) FOR ALL OTHER DIMENSIONS NOT SHOWN BUT REQUIRED FOR TOOL BUILD, SEE MATH MODEL FOR PRECISE TOOL PATH DATA.
- CAVITIES TO ACCEPT 09011 TERMINAL.
- MATING COMPONENTS:  
TPA 3F 09011 15317587 OR EQUIVALENT  
CONNECTOR 3M 09011 15317586 OR EQUIVALENT  
TERMINAL 12161199 OR EQUIVALENT
- PART SHOULD CONFORM TO TSC1000G/TSC1225G.

PART NO	REV	STATUS	MATERIAL SPECIFICATION AND COLOR
15326433	A3		R0100109 PBT - GRA
15326432	A3		R0100111 PBT - BLU
15326431	A3		R0100108 PBT - BLK
15317585	A5		R0100185 PBT - NAT

<b>DELPHI</b> Automotive Systems																								
MATERIAL SPEC SEE CHART		<table border="1"> <thead> <tr> <th colspan="2">DIMENSIONAL RANGE (MM)</th> <th>CHART E</th> </tr> </thead> <tbody> <tr> <td>FROM</td> <td>TO</td> <td></td> </tr> <tr> <td>0</td> <td>&gt; 10</td> <td></td> </tr> <tr> <td>10</td> <td>50</td> <td></td> </tr> <tr> <td colspan="2">TOLERANCE UNLESS OTHERWISE SPECIFIED</td> <td></td> </tr> <tr> <td></td> <td>±0.15</td> <td>±0.2</td> </tr> <tr> <td colspan="2">ANGULAR TOLERANCE ± 1°</td> <td></td> </tr> </tbody> </table>		DIMENSIONAL RANGE (MM)		CHART E	FROM	TO		0	> 10		10	50		TOLERANCE UNLESS OTHERWISE SPECIFIED				±0.15	±0.2	ANGULAR TOLERANCE ± 1°		
DIMENSIONAL RANGE (MM)		CHART E																						
FROM	TO																							
0	> 10																							
10	50																							
TOLERANCE UNLESS OTHERWISE SPECIFIED																								
	±0.15	±0.2																						
ANGULAR TOLERANCE ± 1°																								
PART DRAWING																								
CODE NUMBER 6901	DWG DATE 28MY98	SCALE 4:1																						
QC SPEC	STYLE	VOLUME cm³ 1.423																						
PART GEOMETRY 3D SOLID		UNLESS OTHERWISE SPECIFIED:																						
 CHANGE RESTRICTED NO MANUAL CHANGES		PERFECT FORM REQUIRED FOR FEATURES OF SIZE AT MMC. TRUE POSITION TOLERANCES AND RELATED DATUMS APPLY AT CONDITION OF SIZE INDICATED IN FEATURE CONTROL FRAME. ALL OTHER GEOMETRIC TOLERANCES AND RELATED DATUMS APPLY RFS. SEPARATE TRUE POSITION CALLOUTS MAY BE GAGED SEPARATELY, REGARDLESS OF DATUM REFERENCE.																						
COPY OF MATH DATA DO NOT SCALE		REFERENCE 001,701	DATE																					
		DR																						
METRIC UNLESS OTHERWISE SPECIFIED, ALL DIMENSIONS ARE IN MILLIMETERS		APVD1 JON HOBBS	28MY98																					
		APVD2 JON HOBBS	28MY98																					
THIRD ANGLE PROJECTION 		APVD3 N. CHANDIRAMANI	28MY98																					
		APVD4																						
		APVD5																						
		DRAWING NAME TAXI CONN 3F 09011																						
SHEET NUMBER 1 OF 1	DRAWING NUMBER 15355037	DWG STATUS STG REV N/P R 001 -	SIZE A1																					