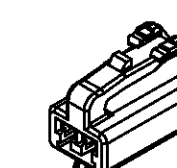
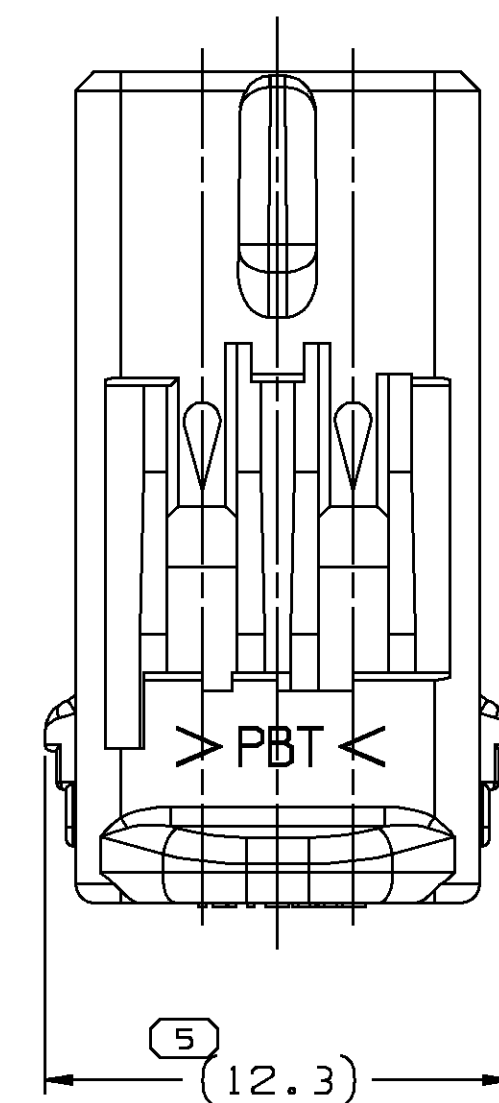
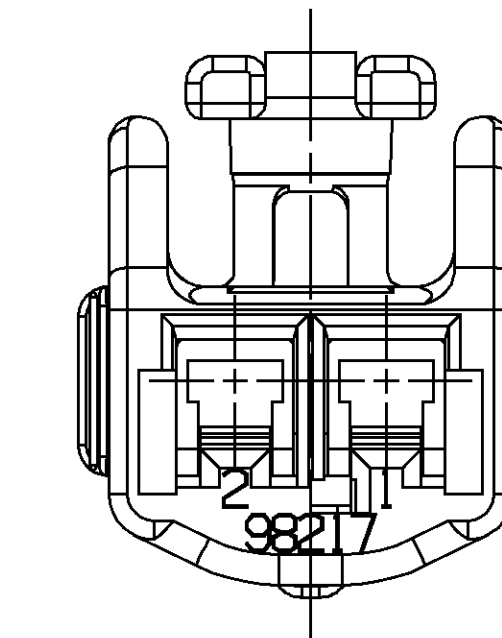
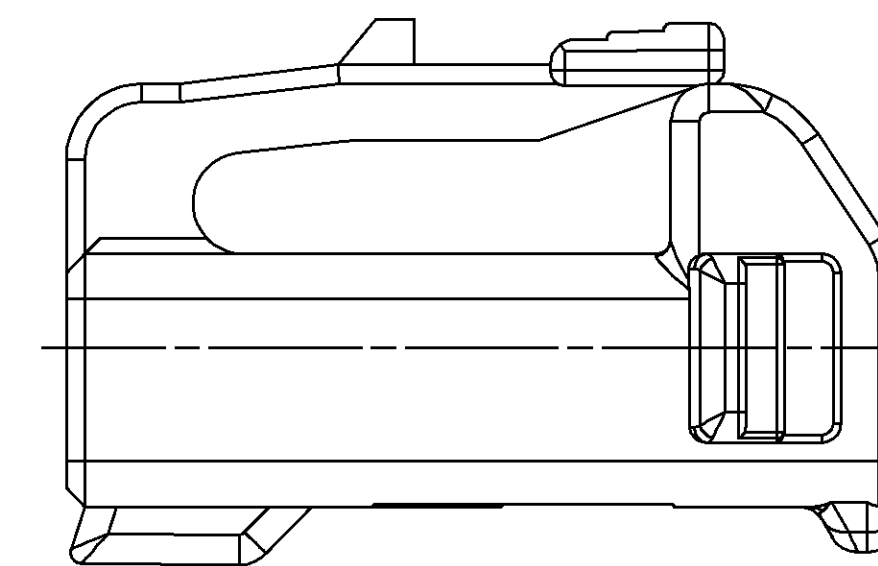
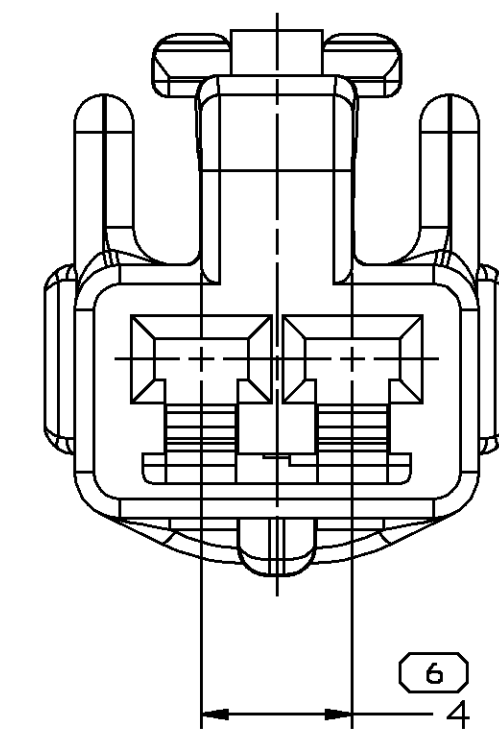
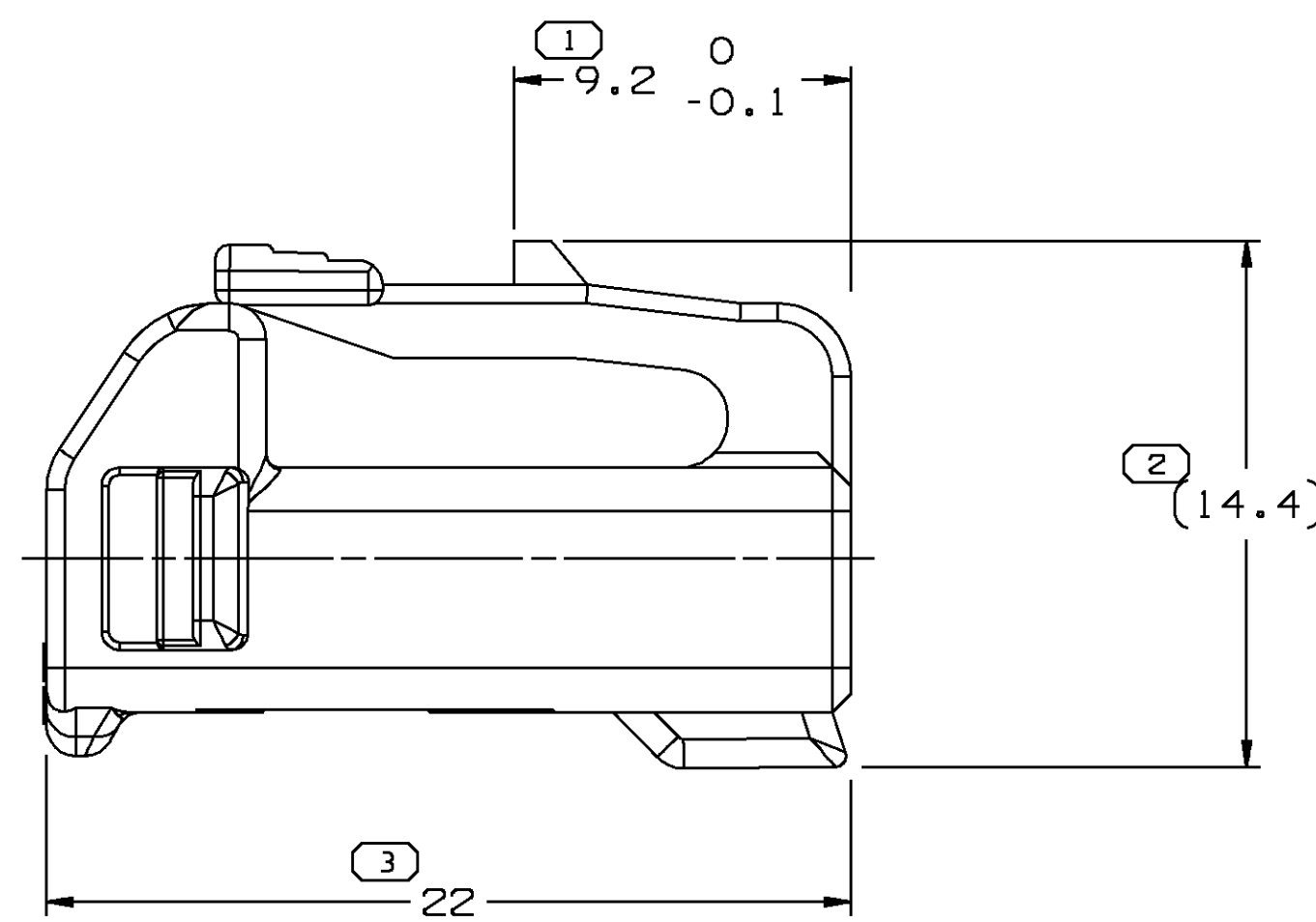
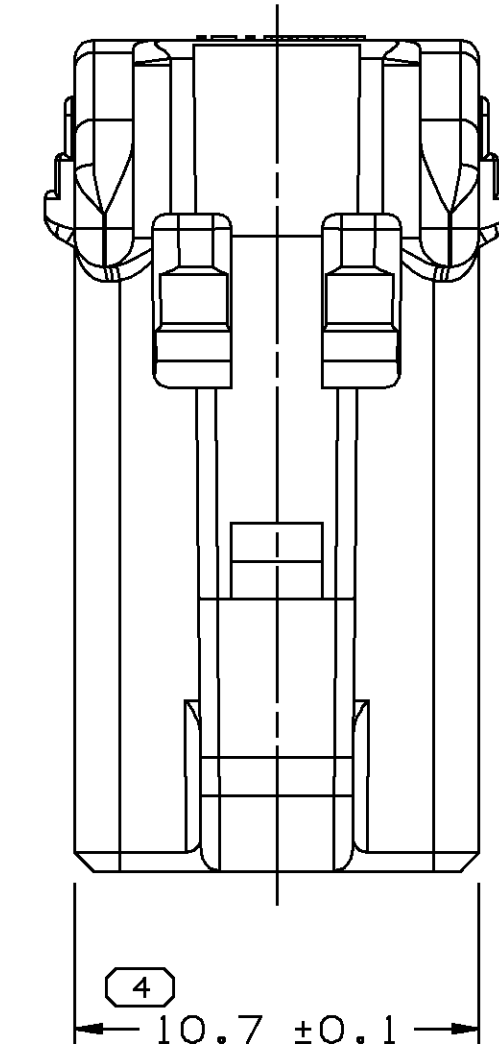


SYMBOL DEFINITION		MISSING NUMBERS	
THE NUMBER INSIDE THE SYMBOL CORRESPONDS TO THE NUMBER ON THE INSPECTION REPORT FOR THIS DRAWING/PART NUMBER	TOTAL NO. OF SYMBOLS ON DRAWING	6	
	LAST NO. USED	6	

DWG STATUS				REVISION HISTORY				AUTH	DR	CK	APVD		
DATE	STO	REV	CHG	N/P	ZONE								
10JUN99	R	001	-	-		CLEARED REVISION COLUMN				195084	MAC	MAC	GC
02MROD	R	002	-	-		REVISED PROCESS SENSITIVE CHART				199400	CJP	CJP	DS



NOTES:

- UNLESS OTHERWISE SPECIFIED AND/OR INDICATED: DIMENSIONS ARE TO FACE OF VIEW SHOWN AND AUTOMATICALLY ROUNDED BY COMPUTER FOR INSPECTION. (SEE MATH MODEL FOR PRECISE DIMENSION) FOR ALL OTHER DIMENSIONS NOT SHOWN BUT REQUIRED FOR TOOL BUILD, SEE MATH MODEL FOR PRECISE TOOL PATH DATA.
- MATING COMPONENTS:  
CONNECTOR 1531B033 OR EQUIVALENT  
SECONDARY TERMINAL LOCK 1531B036 OR EQUIVALENT
- PART SHOULD CONFORM TO TSC 1000/TSC 1225G.

PART NO	REV	STATUS	MAT'L SPEC & COLOR	VOLUME
15326446	A3		RO100109 PBT-GRN	1.108
15326445	A3		RO100111 PBT-BLU	1.108
15326444	A3		RO100108 PBT-BLK	1.108
15318034	C4		RO100185 PBT-NAT	1.108

<b>DELPHI</b> Automotive Systems		DIMENSIONAL RANGE	
MATERIAL SPEC SEE DWG	FROM 0 TO 10	SCALE	5:1
	TO 10 TO 50	VOLUME cm <sup>3</sup>	SEE DWG
PART DRAWING		UNLESS OTHERWISE SPECIFIED:	
CODE NUMBER 6900	DWG DATE 270C9B	PERFECT FORM REQUIRED FOR FEATURES OF SIZE AT MMC. TRUE POSITION TOLERANCES AND RELATED DATUMS APPLY AT CONDITION OF SIZE INDICATED IN FEATURE CONTROL FRAME. ALL OTHER GEOMETRIC TOLERANCES AND RELATED DATUMS APPLY RFS. SEPARATE TRUE POSITION CALLOUTS MAY BE GAGED SEPARATELY, REGARDLESS OF DATUM REFERENCE.	
QC SPEC	STYLE	CHANGE RESTRICTED NO MANUAL CHANGES	
PART GEOMETRY 3D SOLID		COPY OF MATH DATA DO NOT SCALE	
METRIC UNLESS OTHERWISE SPECIFIED, ALL DIMENSIONS ARE IN MILLIMETERS		REFERENCE 001,701	DR APVD1 R. GUERRERO APVD2 JOSE HUERTA APVD3 G. CHEN APVD4 APVD5
THIRD ANGLE PROJECTION		DRAWING NAME TAX1 CONN 2F 09011	
SHEET NUMBER 1 OF 1		DRAWING NUMBER 15355043	
DIMS ENCLOSED IN ( ) INDICATE REFERENCE DIMENSIONS AND NO TOLERANCE LIMITS ARE ESTABLISHED		DWG STATUS STO REV N/P R 002 - A0	