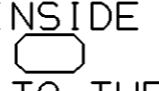
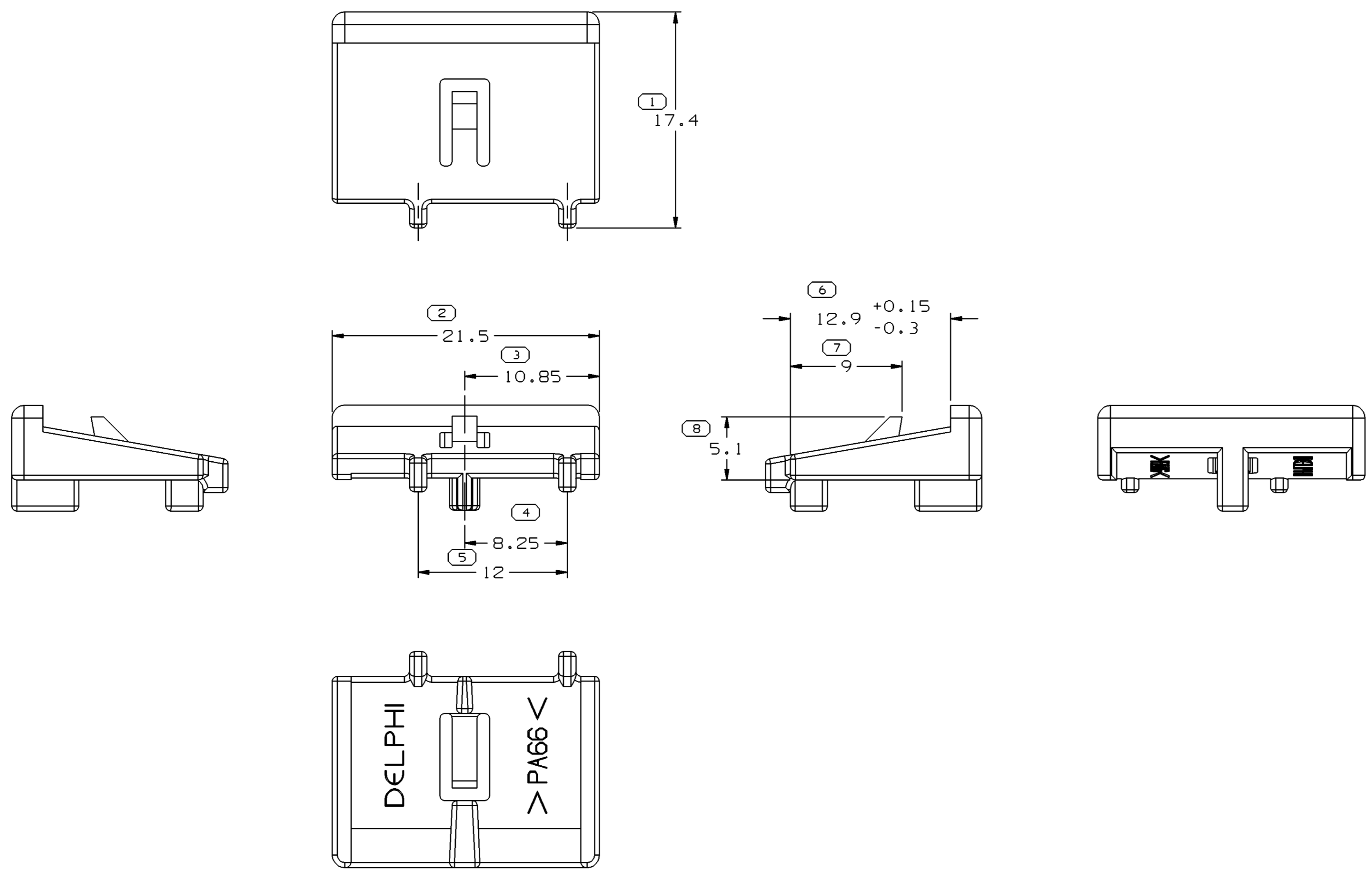
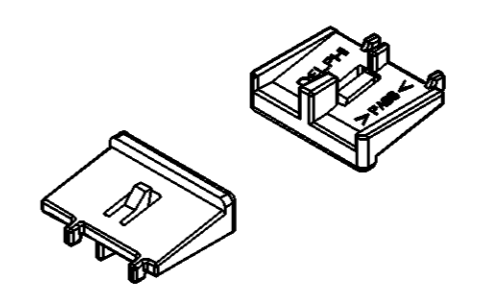


SYMBOL DEFINITION		MISSING NUMBERS
THE NUMBER INSIDE THE SYMBOL  CORRESPONDS TO THE NUMBER ON THE INSPECTION REPORT FOR THIS DRAWING/PART NUMBER	TOTAL NO. OF SYMBOLS ON DRAWING	8
	LAST NO. USED	8

DWG STATUS					ZONE	REVISION HISTORY			AUTH	DR	APVD1	APVD2
10N097	R	A	-	-		RELEASED			970005	JHH	JHH	JHH
25FE98	R	A1	-	-		CREATED PD & TOD, REVISED			980009	JEB	JEB	JEB
04MY98	R	A2	-	-		ADDED TOLERANCE			185474	LMB	LMB	LMB
30JN99	R	A3	-	-		RE-ORIENTED TEXT ON PRINT			193979	RJD	RJD	MS
04JN03	R	A4	-	-		PA66 WAS PA6			241104	HAM	HAM	MS



- NOTES:
- UNLESS OTHERWISE SPECIFIED AND/OR INDICATED: DIMENSIONS ARE TO FACE OF VIEW SHOWN AND AUTOMATICALLY ROUNDED BY COMPUTER FOR INSPECTION. (SEE MATH MODEL FOR PRECISE DIMENSION)
 - MATING COMPONENTS: CONNECTOR 15319797 OR EQUIVALENT
 - THIS PART IS NOT CONTROLLED FOR AUTOMATIC FEEDING.
 - MATERIAL RECYCLING CODE >PA66< PER SAE J1344. (1.5)X(0.1) RAISED CHARACTERS AS SHOWN TO BE LOCATED ON ANY EXTERIOR SURFACE. OPTIONAL CONSTRUCTION TO BE NO MATERIAL RECYCLING CODE.
 - (1.5)X(0.1) RAISED DELPHI CORPORATE BRAND TO BE LOCATED ON ANY EXTERIOR SURFACE, PREFERABLY VISIBLE AT FINAL ASSEMBLY. OPTIONAL CONSTRUCTION TO BE "PED" OR NO LOGO.



N/A PROCESS SENSITIVE DIMENSION	
DIMENSIONS ENCLOSED IN () INDICATE REFERENCE DIMENSIONS AND NO TOLERANCE LIMITS ARE ESTABLISHED	
DIMENSIONAL RANGE (MM)	CHART E
FROM 0 > 20 > 30 > 70	
TO 20 30 70 100 > 100	
TOLERANCE UNLESS OTHERWISE SPECIFIED	
±0.15 ±0.2 ±0.3 ±0.4 ±0.5	
ANGULAR TOLERANCE ±2°	

DWG TYPE PART DRAWING	
STYLE	
VOLUME (CM³) 0.854	DISTR CODE D
ROUTING 6901	
UNLESS OTHERWISE SPECIFIED	
THIS DOCUMENT IS IN ACCORDANCE WITH ASME Y14.5M-1994 AS AMENDED BY THE GM GLOBAL DIMENSIONING AND TOLERANCING ADDENDUM - 1997. ALL GEOMETRIC TOLERANCES AND RELATED DATUMS APPLY RFS. RULE #1 PERFECT FORM AT MMC DOES NOT APPLY WHEN RELATIONSHIP BETWEEN FEATURES IS ESTABLISHED BY ORIENTATION OR LOCATION TOLERANCES. SEPARATE POSITION CALLOUTS MAY BE GAGED SEPARATELY, REGARDLESS OF DATUM REFERENCE. ALL DIMENSIONS ARE IN MILLIMETERS	
THIRD ANGLE PROJECTION	DO NOT SCALE
USE MATH DATA	UNIGRAPHICS

DELPHI
DELPHI PACKARD ELECTRIC SYSTEMS
WARREN, OH

DR R. HARTMAN	DATE 20MY97
APVD1 JOHN HAPGOOD	10N097
APVD2 JOHN HAPGOOD	10N097
APVD3 MARK SMITH	11N097
APVD4	
APVD5	

SUBSTANCES OF CONCERN AND RECYCLED CONTENT PER DELPHI 10949001

MATERIAL
M3592008 PA66 HS 1M-BLU

DRAWING NAME
LOCK TPA M/P 2 BLU

DRAWING NUMBER
15319801

SIZE A1	SCALE 4:1	FRAME NO 1 OF 1	SHEET NO 1 OF 1	STG R	REV A4	N/P -
---------	-----------	-----------------	-----------------	-------	--------	-------