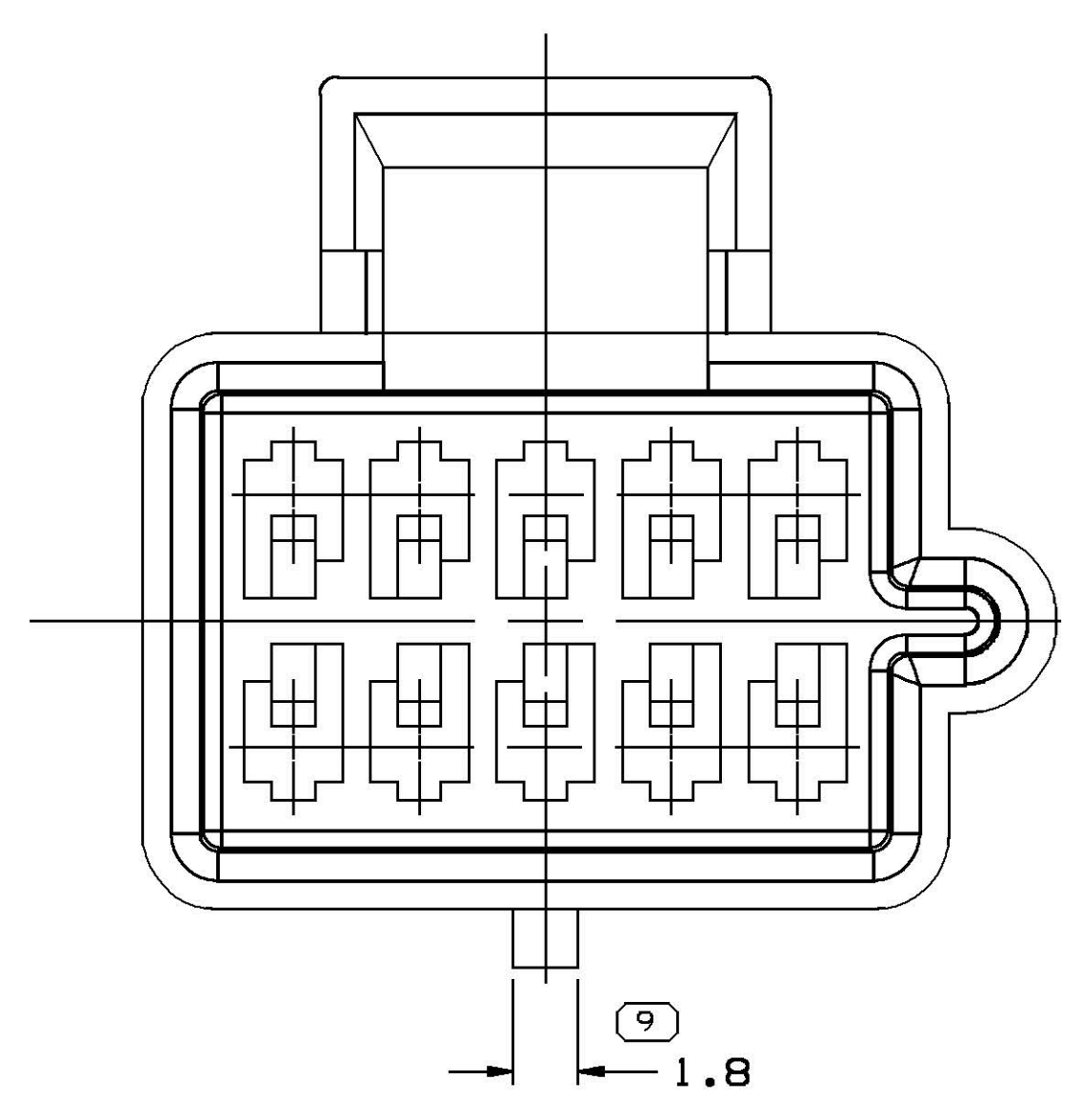
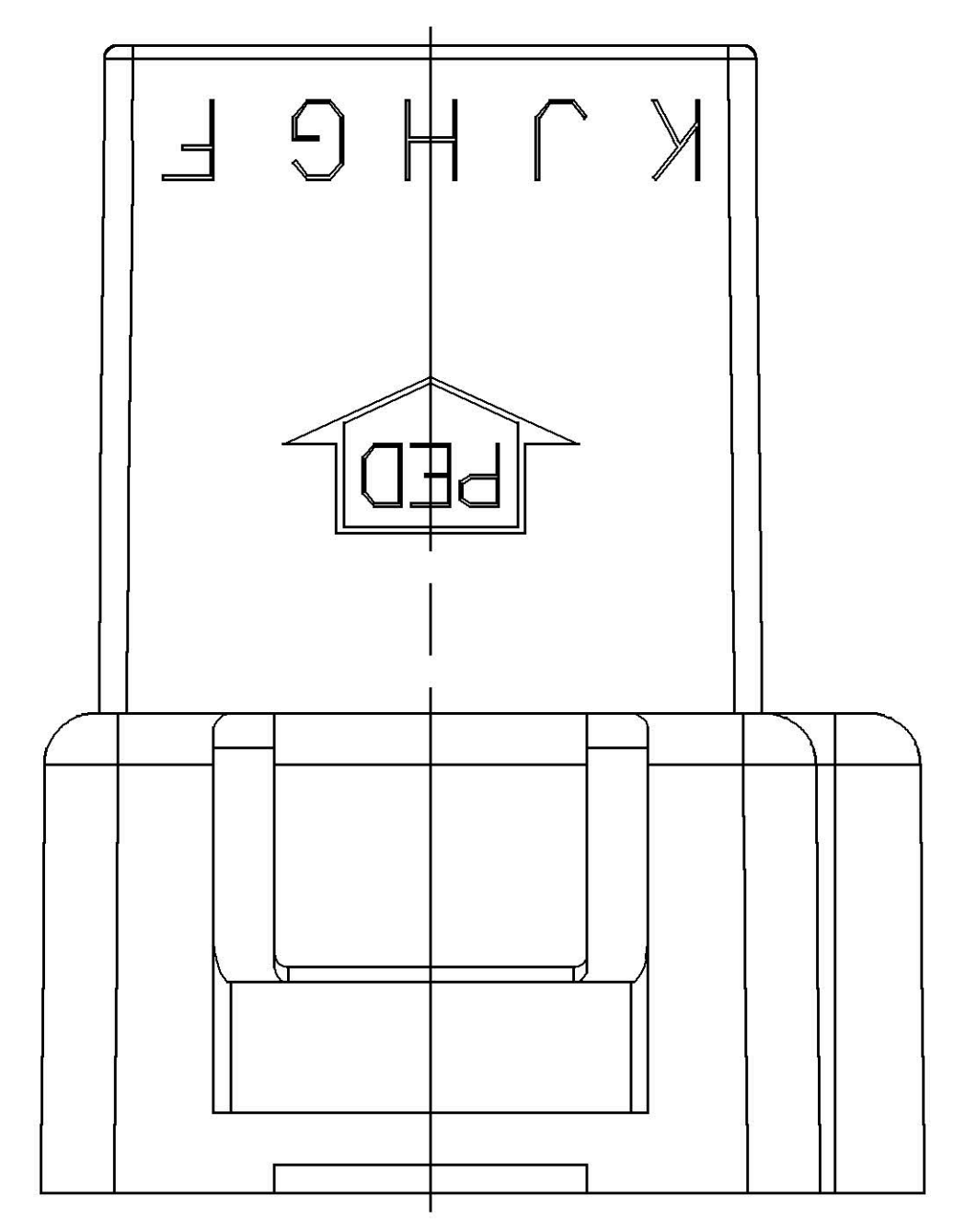
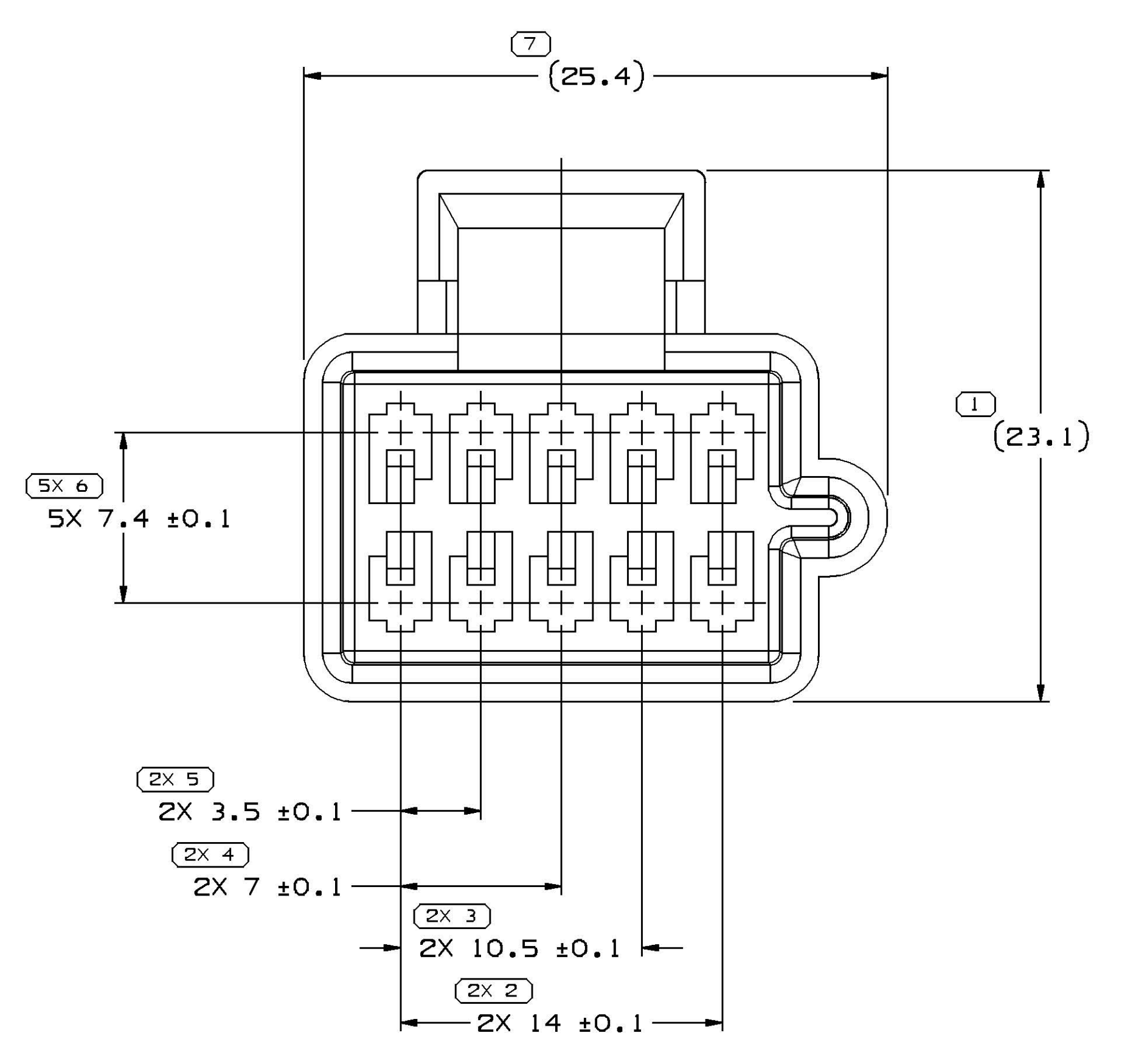
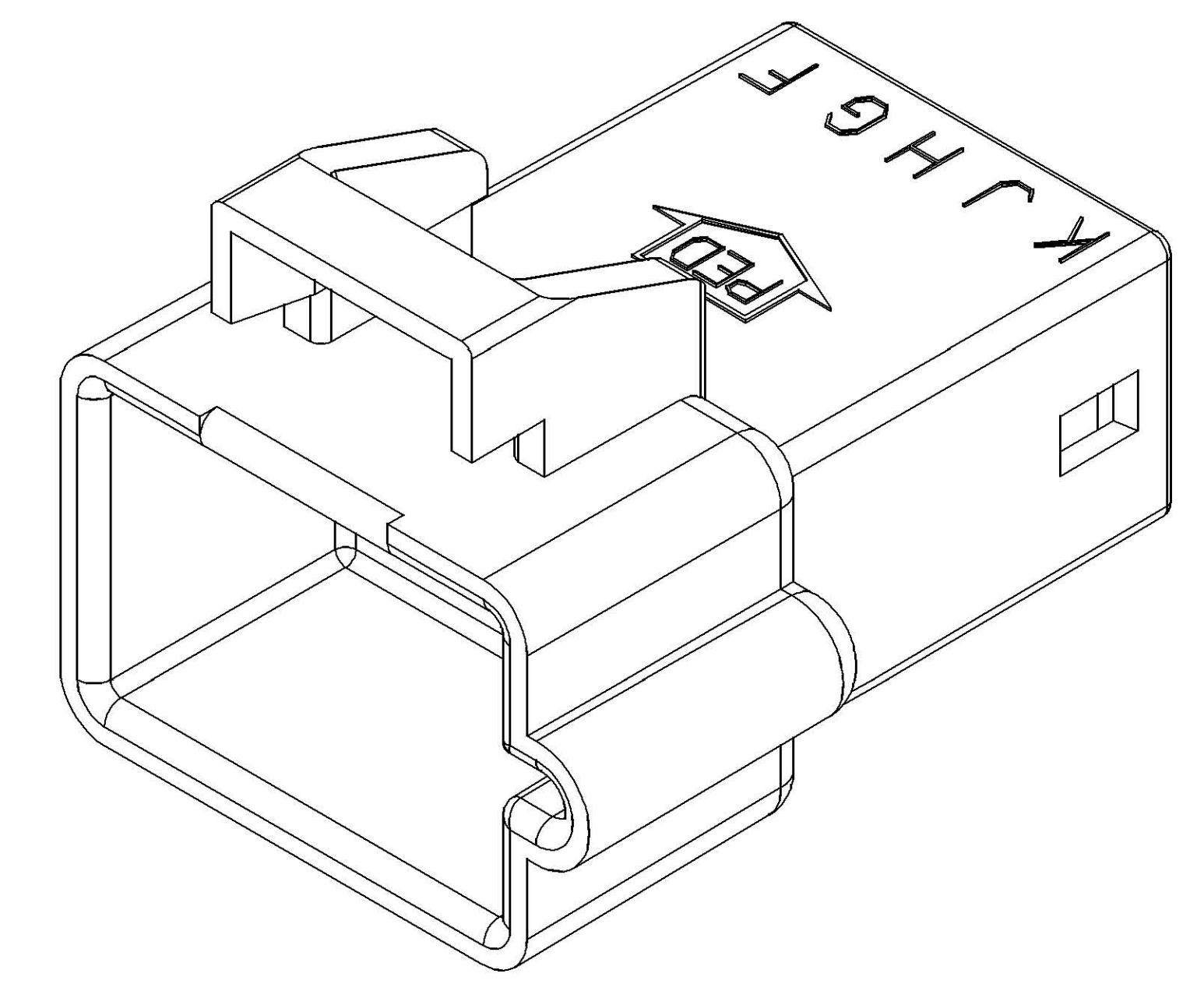
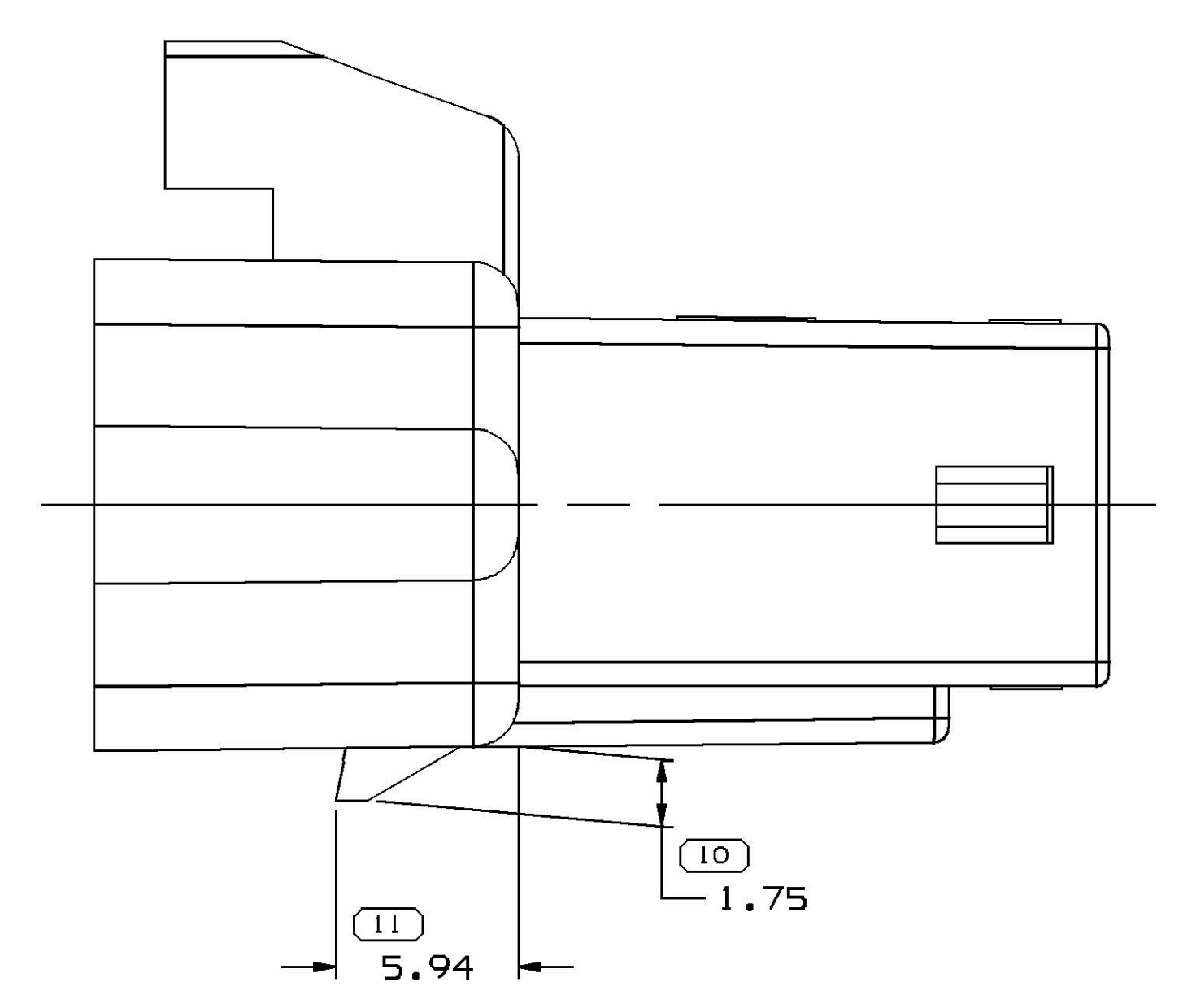


SYMBOL DEFINITION		TOTAL NO OF INSPECTIONS REQUIRED	MISSING SYMBOL NUMBER
A DIMENSION WITHOUT AN INSPECTION REPORT SYMBOL DOES NOT REQUIRE INSPECTION. IT MAY BE CONTROLLED ON THE INDIVIDUAL COMPONENT DRAWING.		19	
	LAST NO. USED	11	

DWS STATUS				REVISION HISTORY				AUTH	DR	APVD	APVD
DATE	STG	REV	N/P	CHG	ZONE						
29MR99	R	001	-	-		CLEARED REV COLUMN: 15324758 - RELEASED	990005	AM	CMP	08	
01MR06	R	02	-	-		12064770 - MAT'L SPEC WAS R0071753	278002	CCV	JAA	PYP	M
22FE08	R	03	-	-		ALL PARTS - ADDED APPLICATION DATA NOTE, APPEARANCE ITEM NOTE & MAT'L RECYCLING CODE LABEL, REMOVED PART ACCEPTS NOTE & REFERENCE MATING NOTE AND REVISED MAT'L CALLOUT TO GENERIC CALLOUT	403856	EAJ	FRG	JGS	
25JA11	R	04	-	-		12064770, 15324056 & 15324758 - UPDATED CAVITY: 13865723 - RELEASED AND ADDED TYPE 102 VIEWS	413118	MAB	JVM	GEM	

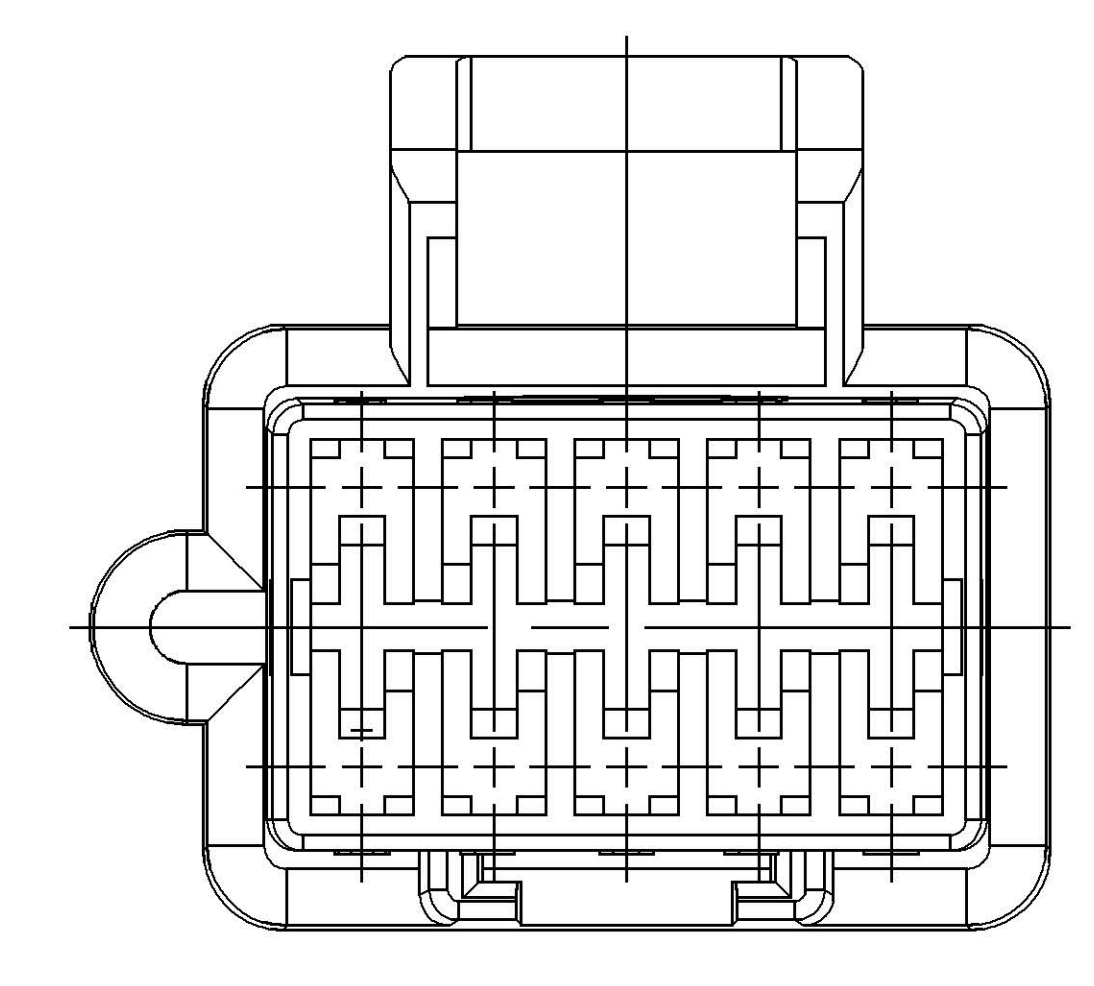
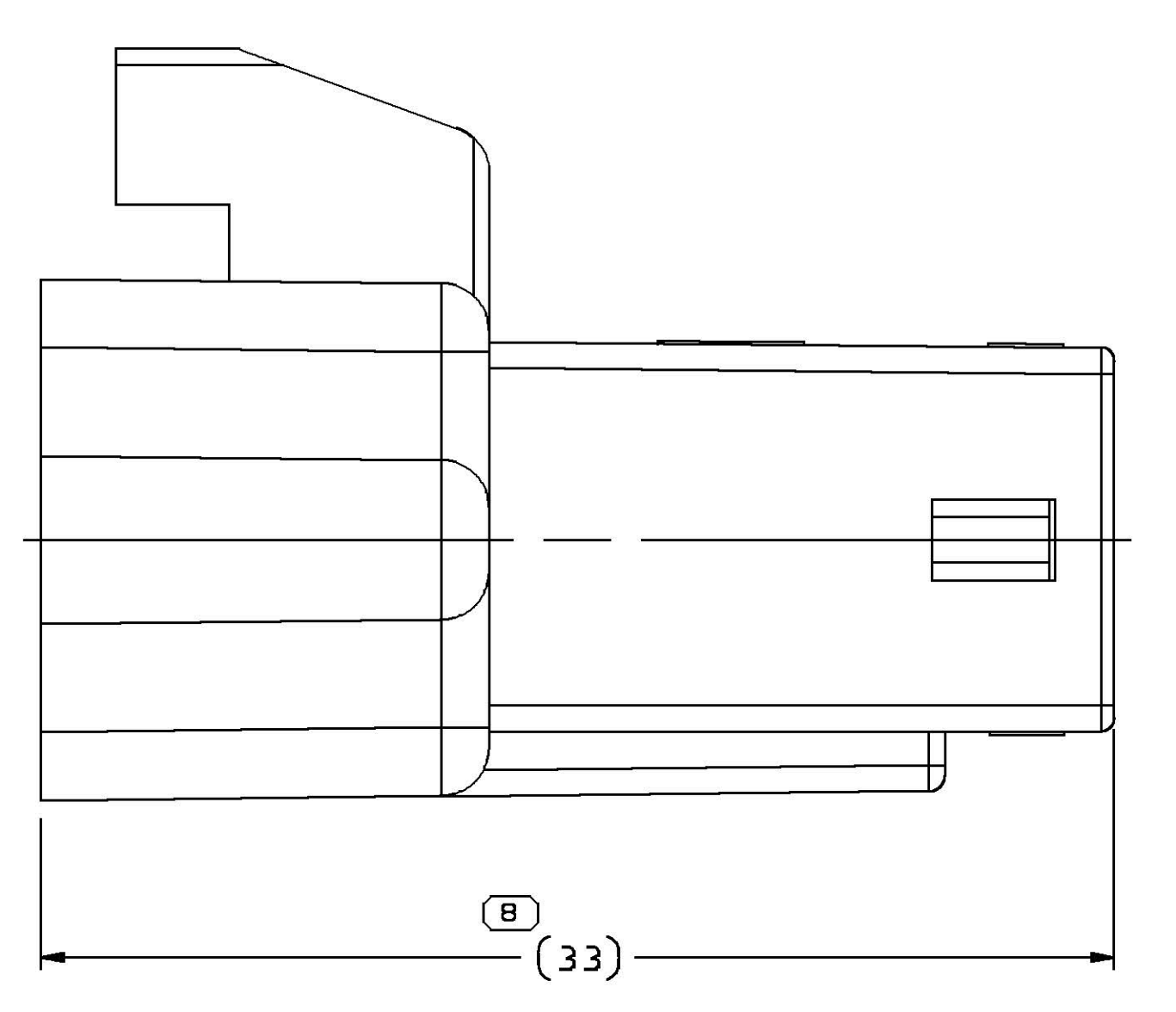
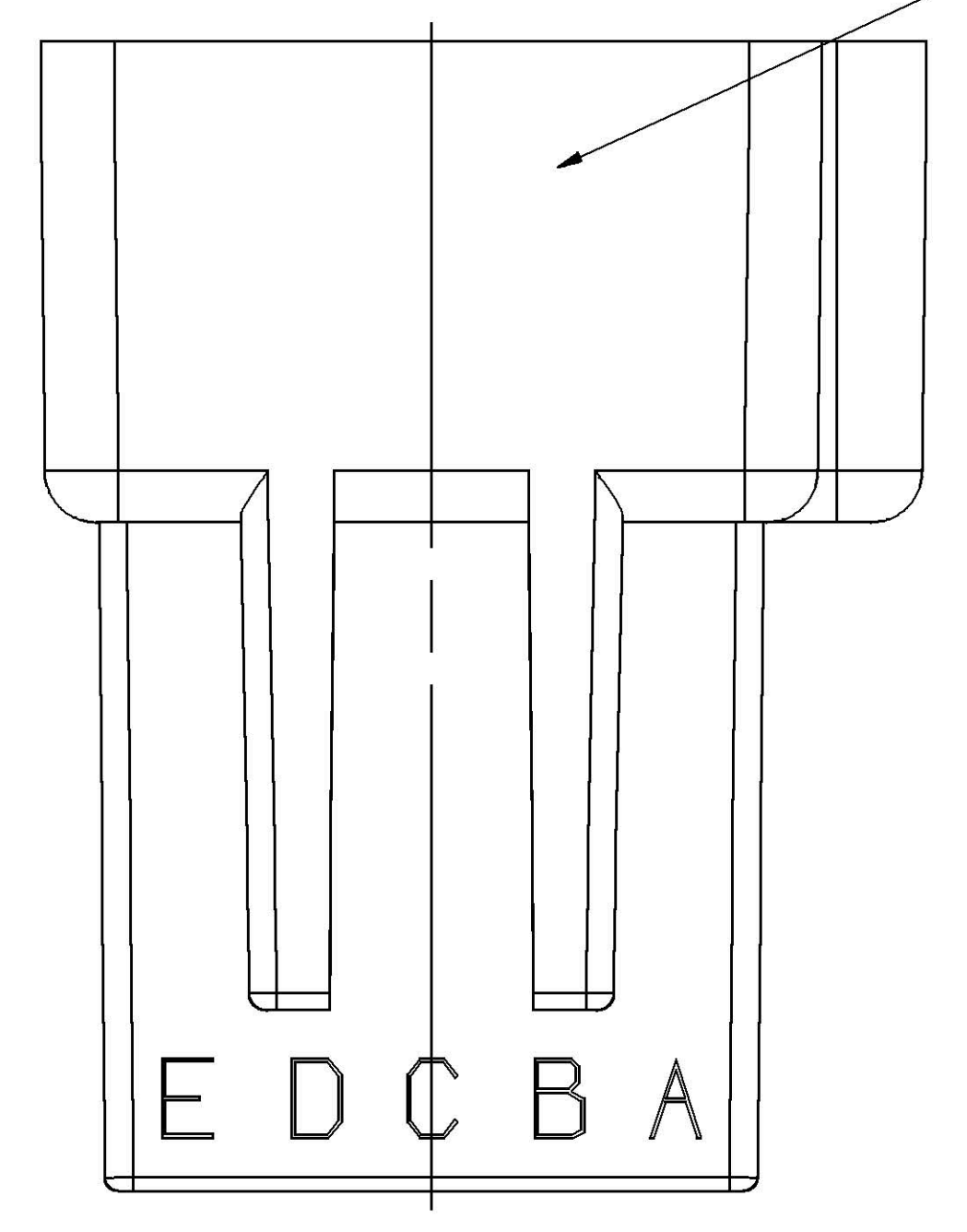


TYPE 102
SAME AS TYPE 101
EXCEPT AS SHOWN



TYPE 101

MATERIAL RECYCLING CODE OPTIONAL



NOTES

- UNLESS OTHERWISE SPECIFIED AND/OR INDICATED:
DIMENSIONS ARE TO FACE OF VIEW SHOWN AND AUTOMATICALLY ROUNDED BY COMPUTER FOR INSPECTION (SEE MATH MODEL FOR PRECISE DIMENSIONS). FOR ALL OTHER DIMENSIONS NOT SHOWN BUT REQUIRED FOR TOOL BUILD, SEE MATH MODEL FOR PRECISE TOOL PATH DATA.
- THIS CONNECTOR WILL PASS THROUGH A Ø31 MIN HOLE.
- MATERIAL RECYCLING CODE PER ISO 11469. (2.3)X(0.1) CHARACTERS AS SHOWN TO BE LOCATED ON ANY EXTERIOR SURFACE.
- THIS PRODUCT IS NOT CATEGORIZED AS AN APPEARANCE ITEM. MINOR IMPERFECTIONS INCLUDING, BUT NOT LIMITED TO, FLOW MARKS, COLOR BLEMISHES, GATE VESTIGE, AND SOFT FLASH THAT DO NOT AFFECT THE FIT, FORM, OR FUNCTION OF THE PART ARE PERMISSIBLE PER DPNP-4.7-CS-01.
- (2.3)X(0.1) DELPHI CORPORATE BRAND TO BE LOCATED ON ANY EXTERIOR SURFACE, PREFERABLY VISIBLE AT FINAL ASSEMBLY. OPTIONAL CONSTRUCTION FOR EXISTING TOOLING MAY BE "PED".
- FOR APPLICATION DATA SEE THE INDIVIDUAL APPLICATION DRAWINGS.

PART NO	REV	N/P	STATUS	MATERIAL SPECIFICATION AND COLOR	TYPE	VOL	CM³
13865723	01	-	-	POLYAMIDE COMPOUND CREAM	102	4.149	
15324758	01	AB	-	POLYAMIDE COMPOUND BLACK	101	4.142	
15324056	A2	-	-	POLYAMIDE COMPOUND BLUE	101	4.142	
12064770	03	AB	-	POLYAMIDE COMPOUND CREAM	101	4.142	

DIMENSIONAL RANGE (MM)	CHART	EST
FROM > 0	> 20	> 30
TO 20	30	70
	70	100
	100	150
	150	200
	200	250
	250	300
	300	400

PART DRAWING	
DRG TYPE	PART DRAWING
STYLE	SEE CHART
VOLUME (OMP)	DISTR CODE
	D
UNLESS OTHERWISE SPECIFIED	
DIMENSIONS ENCLOSED IN () INDICATE REFERENCE DIMENSIONS AND NO TOLERANCE LIMITS ARE ESTABLISHED	
ALL DIMENSIONS ARE IN MILLIMETERS	
THIRD ANGLE PROJECTION	DO NOT SCALE
USE MATH DATA	

DELPHI
DELPHI PACKARD ELECTRICAL/ELECTRONIC ARCHITECTURE
WARREN, OH

DR	DATE
APV01 E. RODRIGUEZ	03SE98
APV02 R. CHACON	12OC98
APV03 OMAR GALLEGOS	22FE99
APV04	

THIS DOCUMENT IS IN ACCORDANCE WITH ASME Y14.5M-1994 AS MODIFIED BY THE 2003 SUPPLEMENT AND TELEPHONING ADDENDUM-2001. SEPARATE PATTERNS OF FEATURES MAY BE SHOWN SEPARATELY, REGARDLESS OF DATUM REFERENCES.

SUBSTANCES OF CONCERN AND RECYCLED CONTENT, PER DELPHI (0944900)

MATERIAL SEE CHART

DRAWING NAME
TAXI CONN M W/P 150

DRAWING NUMBER
15324057

SHEET NO	SCALE	FRAME NO	SHEET NO	REV	N/P
A0	5:1	1 OF 1	1 OF 1	R	04