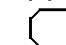
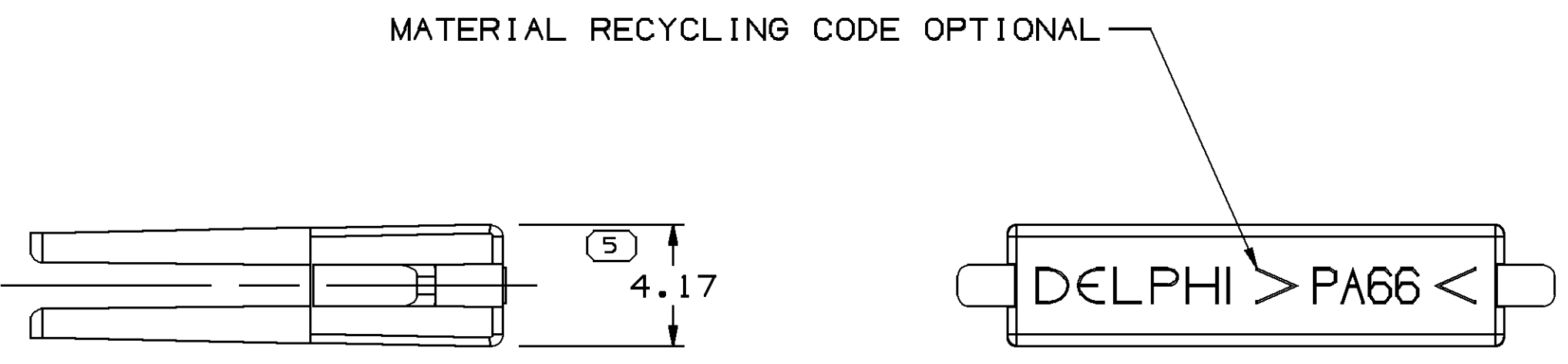
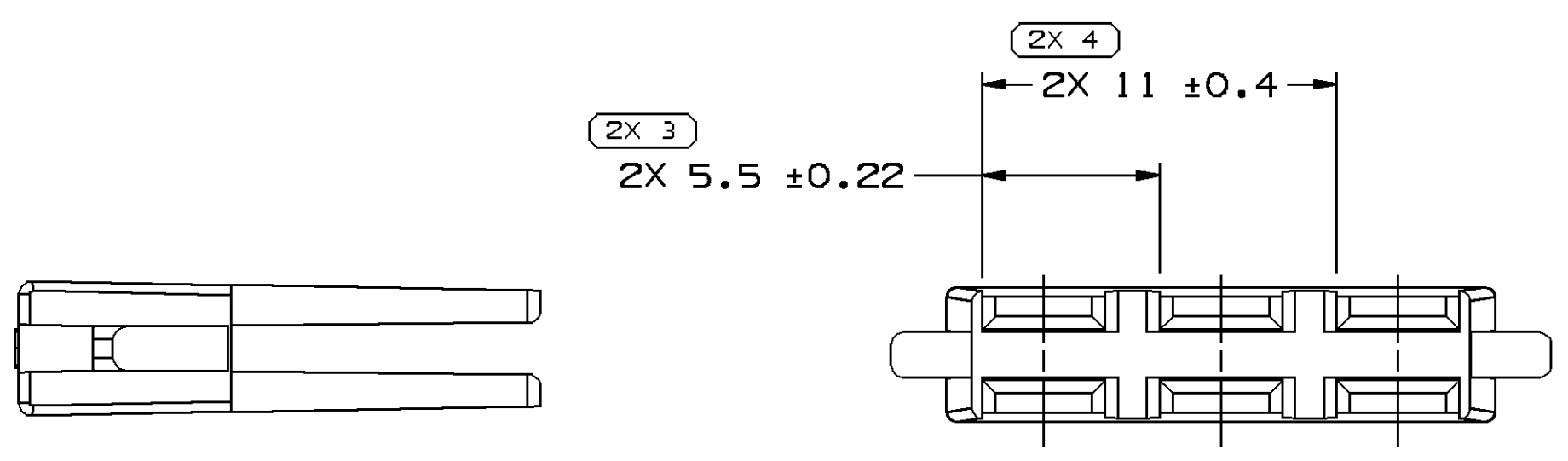
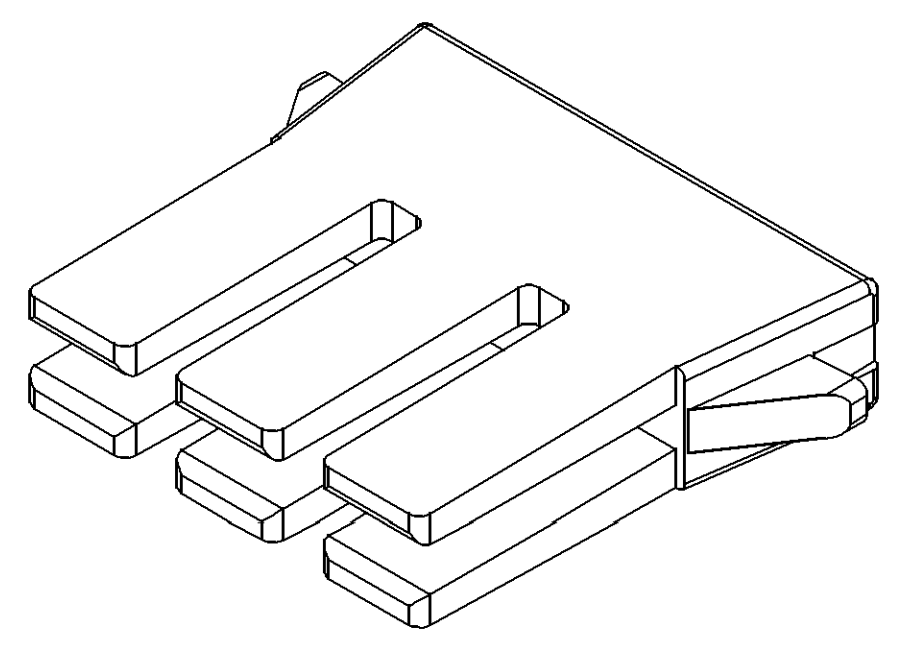
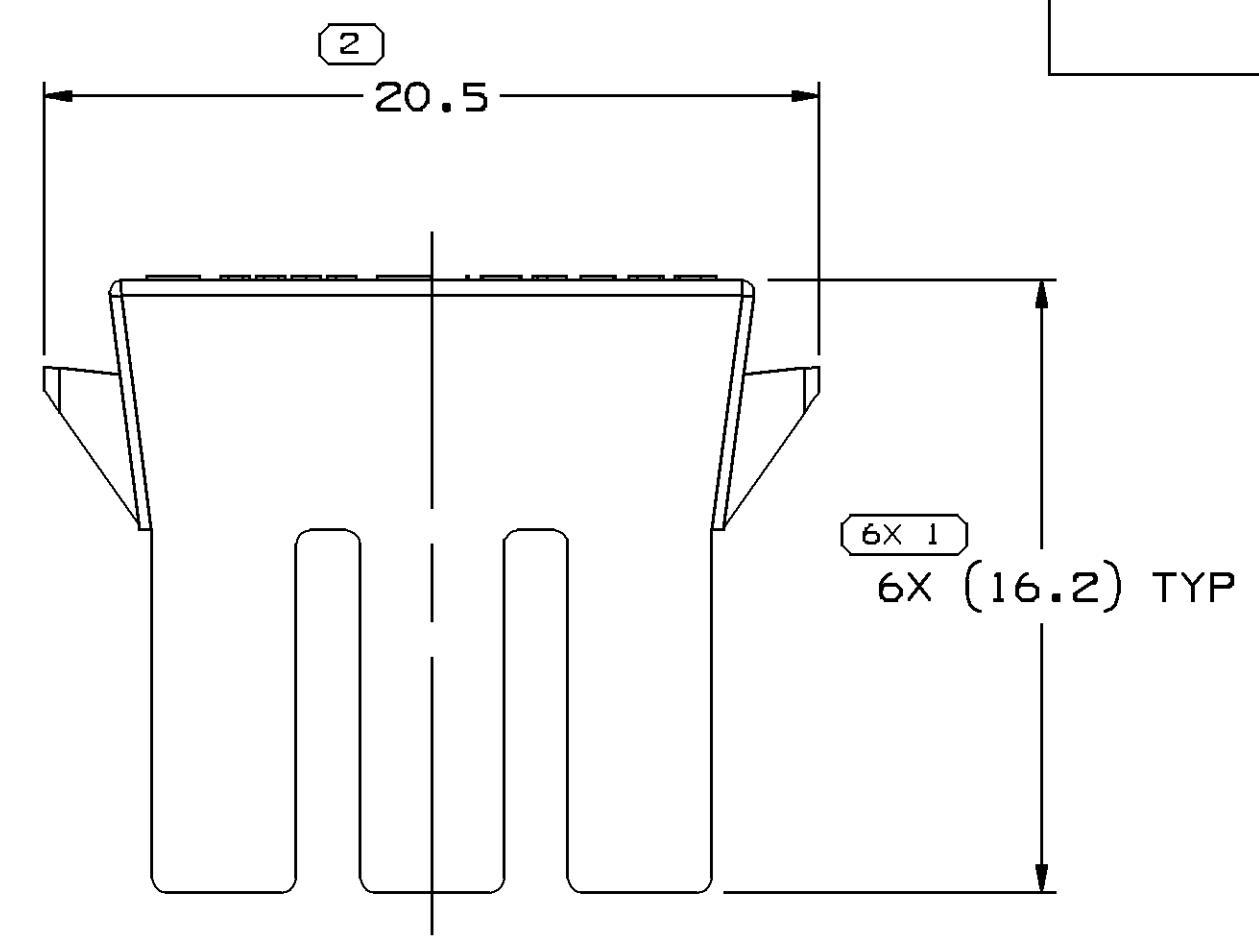
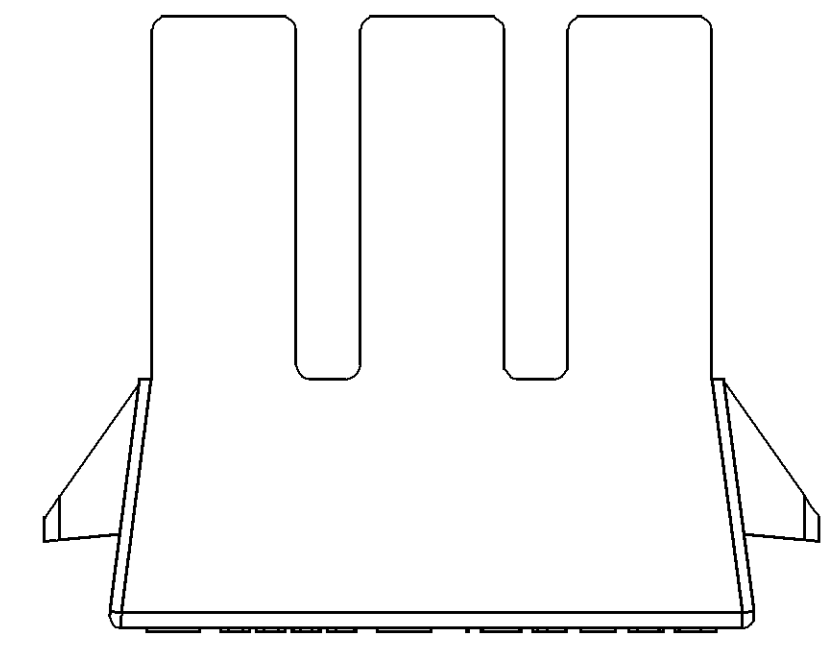


| SYMBOL DEFINITION | |
|---|----------------------------------|
| A DIMENSION WITHOUT AN INSPECTION REPORT SYMBOL  DOES NOT REQUIRE INSPECTION. IT MAY BE CONTROLLED ON THE INDIVIDUAL COMPONENT DRAWING. | TOTAL NO OF INSPECTIONS REQUIRED |
| | 12 |
| | LAST NO. USED |
| | 5 |

| MISSING SYMBOLS | | | | DWG STATUS | | REVISION HISTORY | | AUTH | DR | APVD1 | APVD2 |
|-----------------|-----|-----|-----|------------|------|---|--|--------|-----|-------|-------|
| DATE | STG | REV | N/P | CHG | ZONE | | | | | | |
| 09FE09 | R | D3 | - | - | | CLEARED REV COL & UPDATED MAT'L CALLOUT | | 407192 | PTG | HCG | PTG |



MATERIAL RECYCLING CODE OPTIONAL

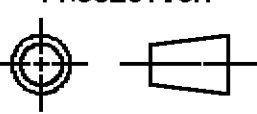
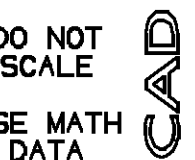



NOTES

- UNLESS OTHERWISE SPECIFIED AND/OR INDICATED:
DIMENSIONS ARE TO FACE OF VIEW SHOWN AND AUTOMATICALLY ROUNDED BY COMPUTER FOR INSPECTION (SEE MATH MODEL FOR PRECISE DIMENSIONS). FOR ALL OTHER DIMENSIONS NOT SHOWN BUT REQUIRED FOR TOOL BUILD, SEE MATH MODEL FOR PRECISE TOOL PATH DATA.
- MATERIAL RECYCLING CODE PER ISO 11469. (1.2)X(0.1) CHARACTERS AS SHOWN TO BE LOCATED ON ANY EXTERIOR SURFACE.
- THIS PRODUCT IS NOT CATEGORIZED AS AN APPEARANCE ITEM, MINOR IMPERFECTIONS INCLUDING, BUT NOT LIMITED TO, FLOW MARKS, COLOR BLEMISHES, GATE VESTIGE, AND SOFT FLASH THAT DO NOT AFFECT THE FIT, FORM, OR FUNCTION OF THE PART ARE PERMISSIBLE PER NAP 4.10-18.
- REFERENCE MATING COMPONENTS OR EQUIVALENT:
CONNECTOR 15326018, 15326021
- (1.2)X(0.1) DELPHI CORPORATE BRAND TO BE LOCATED ON ANY EXTERIOR SURFACE, PREFERABLY VISIBLE AT FINAL ASSEMBLY. OPTIONAL CONSTRUCTION FOR EXISTING TOOLING MAY BE "PED".

| DIMENSIONAL RANGE (MM) | | CHART ET | |
|------------------------|-------|----------|-------|
| FROM | TO | > 0 | > 300 |
| > 0 | > 20 | > 30 | > 70 |
| > 20 | > 30 | > 70 | > 100 |
| > 30 | > 70 | > 100 | > 150 |
| > 70 | > 100 | > 150 | > 200 |
| > 100 | > 150 | > 200 | > 250 |
| > 150 | > 200 | > 250 | > 300 |
| > 200 | > 250 | > 300 | > 400 |

TOLERANCE UNLESS OTHERWISE SPECIFIED
 ±0.15 | ±0.2 | ±0.3 | ±0.4 | ±0.5 | ±0.6 | ±0.8 | ±1 | ±1.2
 ANGULAR TOLERANCE ±2°

| DWG TYPE | |
|--|---|
| PART DRAWING | |
| STYLE | |
| VOLUME (C/P) | DISTR CODE |
| 0.693 | D |
| UNLESS OTHERWISE SPECIFIED | |
| THIS DOCUMENT IS IN ACCORDANCE WITH ASME Y14.5M-1994 AS AMENDED BY THE GM GLOBAL DIMENSIONING AND TOLERANCING ADDENDUM-2001. SEPARATE PATTERNS OF FEATURES MAY BE GAGED SEPARATELY REGARDLESS OF DATUM REFERENCES. | |
| ALL DIMENSIONS ARE IN MILLIMETERS | |
| REFERENCE | |
| THIRD ANGLE PROJECTION | DO NOT SCALE |
|  |  |
| USE MATH DATA |  |

| DELPHI | |
|---|----------|
| DELPHI PACKARD ELECTRICAL/ELECTRONIC ARCHITECTURE WARREN, OH | |
| DR | DATE |
| APVD1 CLAUDIA WYLER | 15DE97 |
| APVD2 JOSE HUERTA | 23DE97 |
| APVD3 D. CUMMINGS | 20JA98 |
| APVD4 | |
| APVD5 | |
| SUBSTANCES OF CONCERN AND RECYCLED CONTENT PER DELPHI 10945001 | |
| MATERIAL POLYAMIDE COMPOUND BLUE | |
| DRAWING NAME LOCK SECONDARY TPA GT | |
| DRAWING NUMBER 15326020 | |
| SIZE | SCALE |
| A1 | 5:1 |
| FRAME NO | SHEET NO |
| 1 OF 1 | 1 OF 1 |
| STG | REV |
| R | D3 |
| N/P | - |