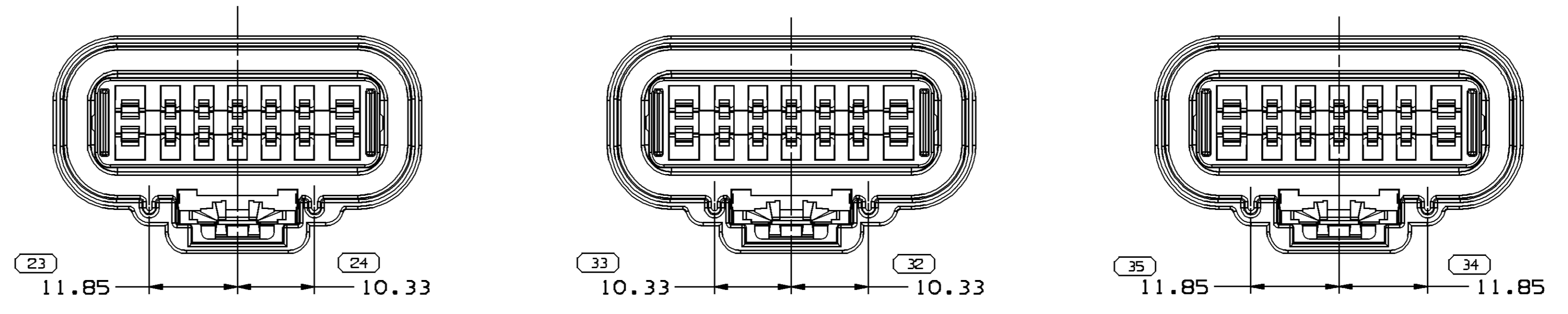


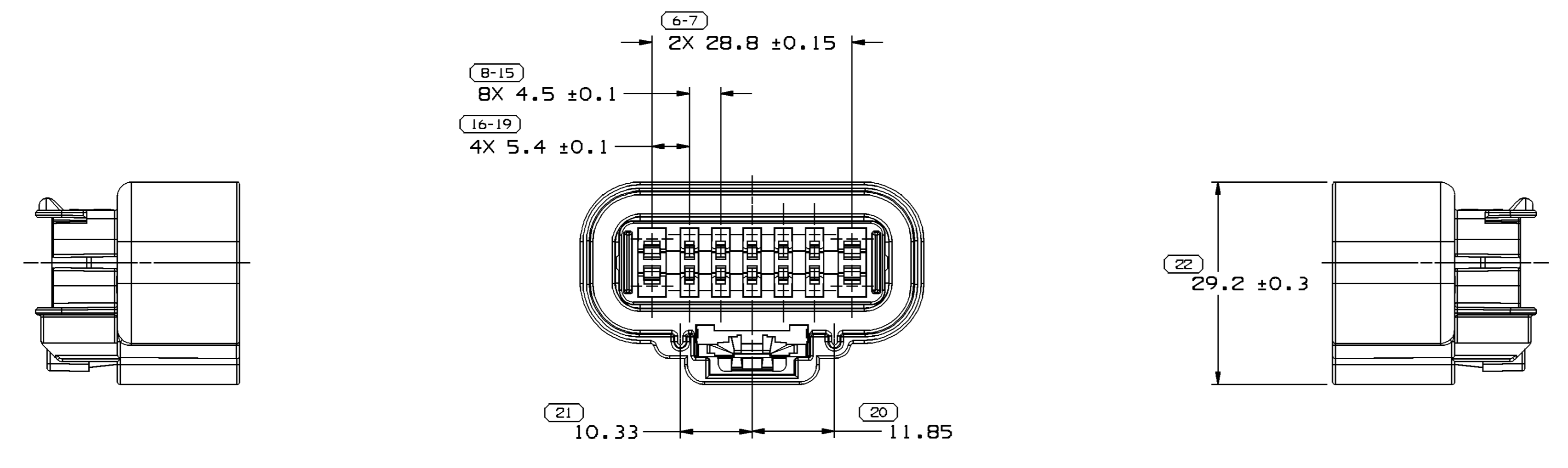
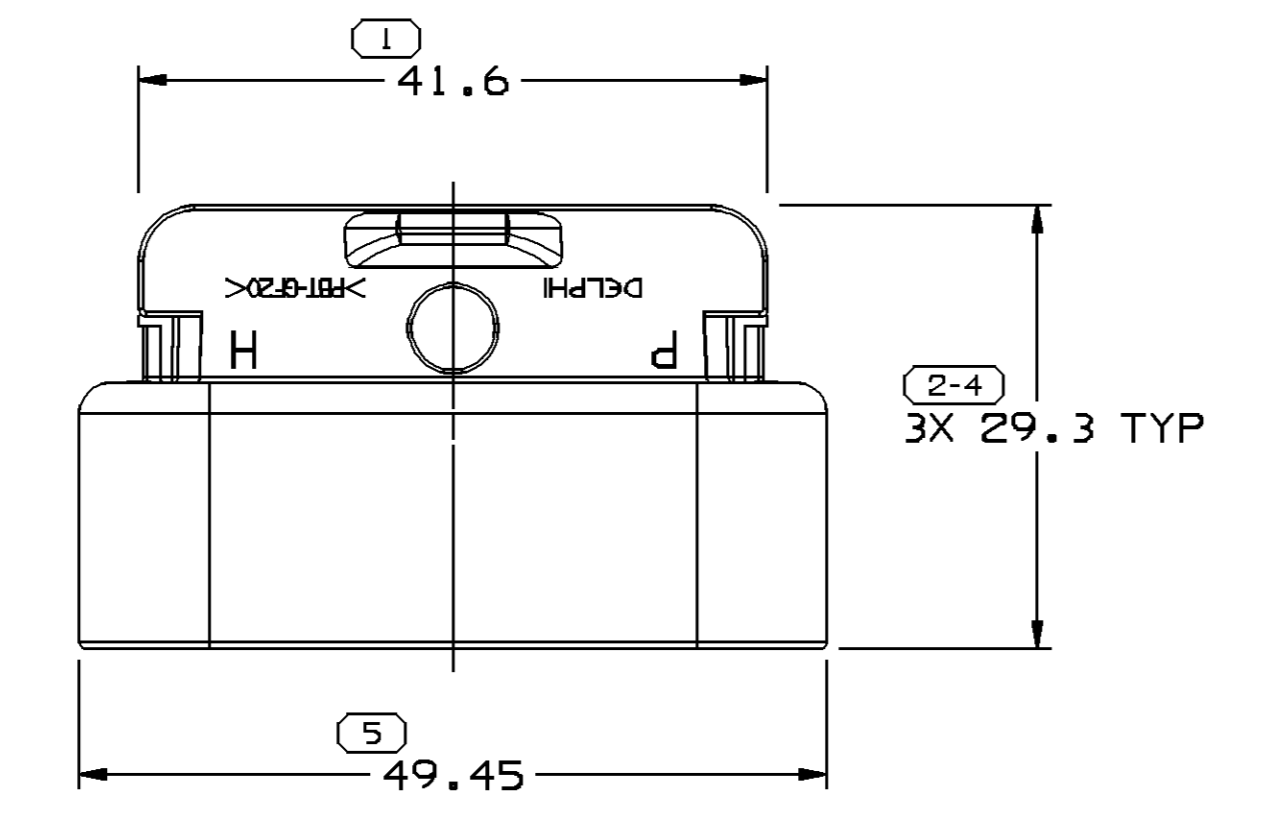
SYMBOL DEFINITION		MISSING NUMBERS		DATE		DWG STATUS		ZONE		REVISION HISTORY		AUTH		DR		AP/D	
THE NUMBER INSIDE THE SYMBOL	TOTAL NO. OF SYMBOLS ON DRAWING			DATE	STG	REV	N/P	CHG			DESCRIPTION	DATE	BY	APP'D	REV	APP'D	
()	17			12MR02	R	05	-	-			CLEARED REVISION COLUMN, ALL PARTS REVISED MATERIAL SPECIFICATION; ADDED 15437402	222459	RJD	RJD	J5		
()	35			15JUL02	R	06	-	-			ALL PARTS - UPDATED PDM ATTRIBUTES	226843	KBD	KBD	JAS		
()				22M107	R	07	-	-			ALL PARTS - REVISED MAT'L RECYCLING CODE NOTE AND ADDED "REPLACED BY" COLUMN ON CHART; 15336036 - PLACED ON RESTRICTED STATUS AND REPLACED BY 15437402; 15437402 - MATING CONN WAS 15437401	401401	JTZ	JAA	RWR		



TYPE 102
SAME AS TYPE 101
EXCEPT AS SHOWN

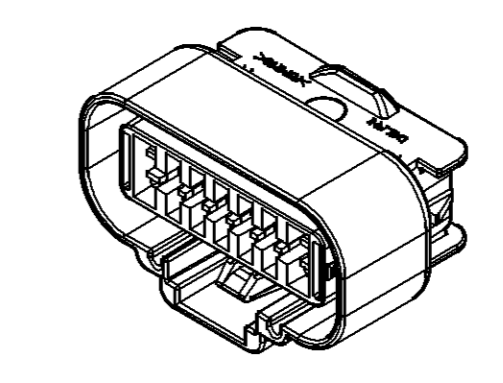
TYPE 103
SAME AS TYPE 101
EXCEPT AS SHOWN

TYPE 104
SAME AS TYPE 101
EXCEPT AS SHOWN



TYPE 101

- NOTES
- UNLESS OTHERWISE SPECIFIED AND/OR INDICATED: DIMENSIONS ARE TO FACE OF VIEW SHOWN AND AUTOMATICALLY ROUNDED BY COMPUTER FOR INSPECTION (SEE MATH MODEL FOR PRECISE DIMENSIONS). FOR ALL OTHER DIMENSIONS NOT SHOWN BUT REQUIRED FOR TOOL BUILD, SEE MATH MODEL FOR PRECISE TOOL PATH DATA.
 - THESE PARTS ACCEPT THE FOLLOWING TERMINALS OR EQUIVALENT:
150 CAVITIES - 12191819
280 CAVITIES - 15304720
 - THESE PARTS ACCEPT THE FOLLOWING CABLE SEALS OR EQUIVALENT:
150 CAVITIES - 12191227
280 CAVITIES - 12191234
 - THESE PARTS ACCEPT THE FOLLOWING CAVITY PLUGS OR EQUIVALENT:
150 CAVITIES - 15305171
280 CAVITIES - 15305170
 - REFERENCE MATING COMPONENTS OR EQUIVALENT:
CPA - 12191398 OR 15317832
 - MATERIAL RECYCLING CODE PER ISO 11469, (1.15)X(0.1) CHARACTERS AS SHOWN TO BE LOCATED ON ANY EXTERIOR SURFACE. OPTIONAL CONSTRUCTION TO BE NO MATERIAL RECYCLING CODE.
 - (1.15)X(0.1) DELPHI CORPORATE BRAND TO BE LOCATED ON ANY EXTERIOR SURFACE, PREFERABLY VISIBLE AT FINAL ASSEMBLY. OPTIONAL CONSTRUCTION TO BE "PED" OR NO LOGO.



PART NO	REV	N/P	STATUS	TYPE	MATERIAL SPECIFICATION AND COLOR	TOTAL NUMBER OF CAVITIES	CAVITY I.D. OF 150 CAVITIES	CAVITY I.D. OF 280 CAVITIES	VOLUME	MATING CONN	CONN SEAL	MATING PLR	MATING TPA	CONN, SEAL & PLR ASM	REPLACED BY
15437402	01	AB		101	M4629 002 PBT GF20 BLK	14	B,C,D,E,F,J,K,L,M,N	A, G, H, P	11.492	15422561	15336040	15336039	15359005	15336037	
15358988	02	AB		104	M4629 012 PBT GF20 GRA LT	14	B,C,D,E,F,J,K,L,M,N	A, G, H, P	11.492	15358996	15336040	15336039	15359005	15358992	
15358987	02	AB		103	M4629 003 PBT GF20 GRA	14	B,C,D,E,F,J,K,L,M,N	A, G, H, P	11.492	15358995	15336040	15336039	15359005	15358991	
15358986	02	AB		102	M4629 001 PBT GF20 NAT	14	B,C,D,E,F,J,K,L,M,N	A, G, H, P	11.492	15358994	15336040	15336039	15359005	15358990	
15336036	02	AB	RESTRICTED	101	PM003571-002 PA6 (GB20+GF10) HS-BLK	14	B,C,D,E,F,J,K,L,M,N	A, G, H, P	11.492	15422561	15336040	15336039	15359005	15336037	15437402

(22) PROCESS SENSITIVE DIMENSION

DIMENSIONS ENCLOSED IN () INDICATE REFERENCE DIMENSIONS AND NO TOLERANCE LIMITS ARE ESTABLISHED.

THIRD ANGLE PROJECTION

DO NOT SCALE

USE MATH DATA

UNIGRAPHICS

DELPHI

DELPHI PACKARD ELECTRICAL/ELECTRONIC ARCHITECTURE

WYREN, OH

DR	DATE
APV01 C. PAPAS	26JAO0
APV02 C. PAPAS	26JAO0
APV03 JOE SVETITE	31JAO0
APV04	
APV05	

SUBSTANCES OF CONCERN AND RECYCLED CONTENT PER DELPHI-A (094900)

MATERIAL SEE CHART

DRAWING NAME
TAXI CONN F GT 150 280 SLD

DRAWING NUMBER
15358985

SCALE: 2:1
FRAME NO: 1 OF 1
SHEET NO: 1 OF 1
REV: R
N/P: 07