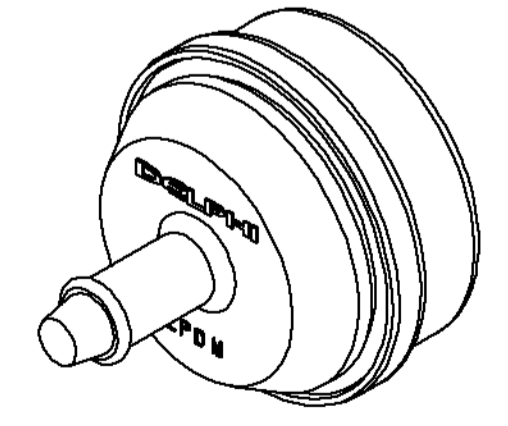
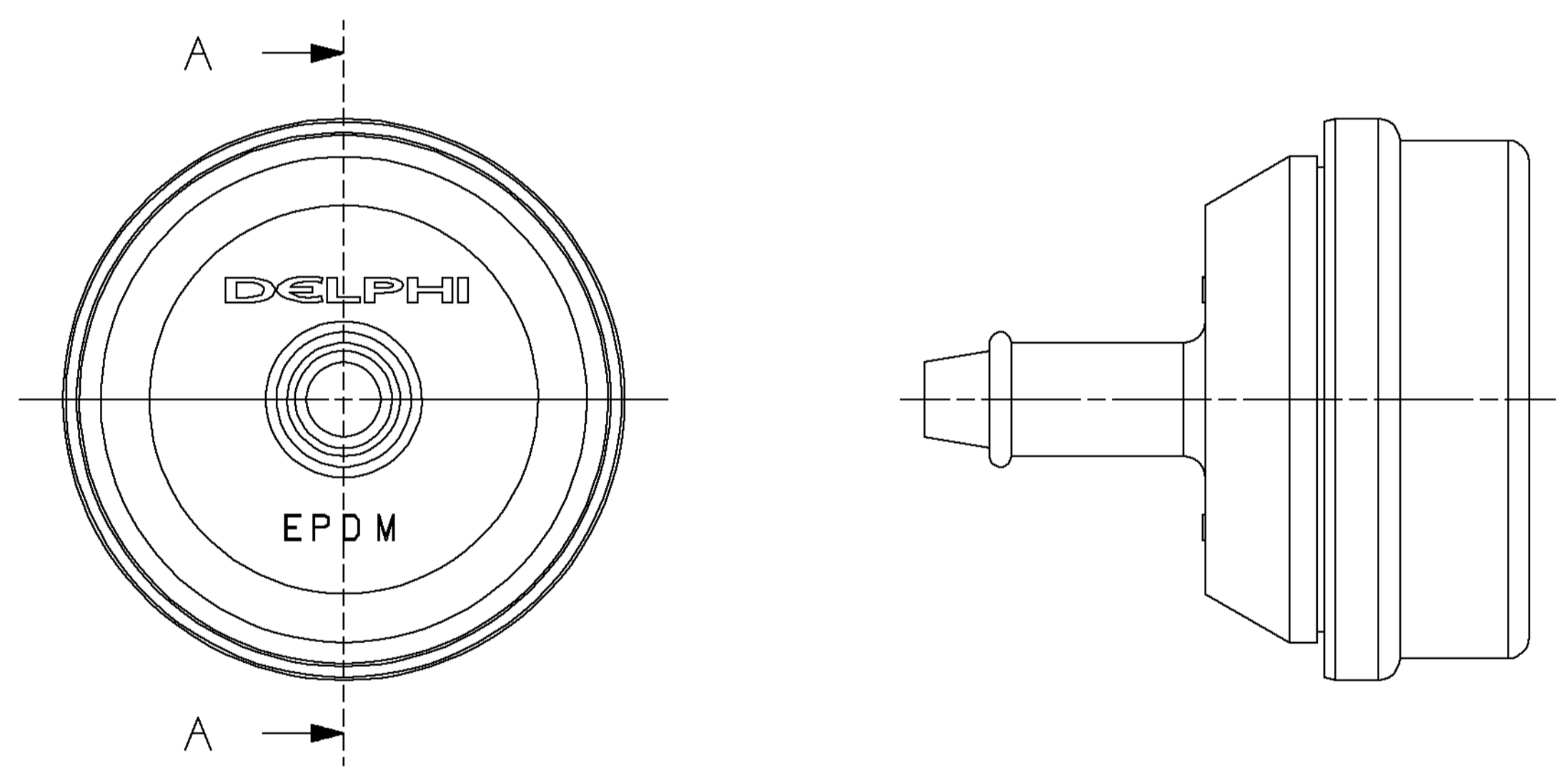
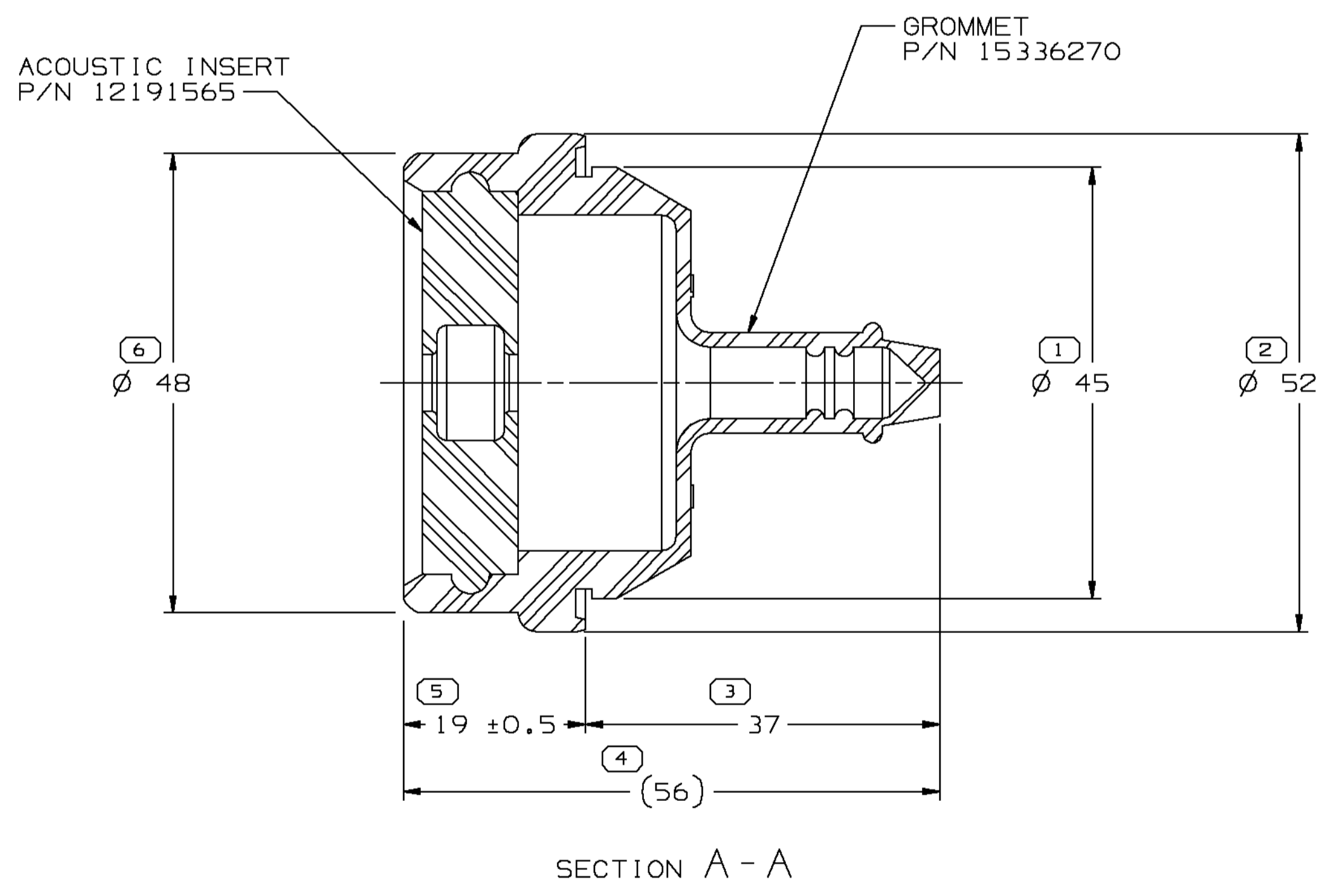


SYMBOL DEFINITION	
A DIMENSION WITHOUT AN INSPECTION REPORT SYMBOL DOES NOT REQUIRE INSPECTION. IT MAY BE CONTROLLED ON THE INDIVIDUAL COMPONENT DRAWING.	TOTAL NO OF INSPECTIONS REQUIRED
	6
	LAST NO. USED
	6

MISSING SYMBOLS		DWG STATUS					ZONE	REVISION HISTORY			AUTH	DR	APVD 1	APVD 2
DATE	STG	REV	N/P	CHG										
31JL02	R	A1	-	-				REDRAWN TO PD		227485	RH	RH	JDV	



- NOTES:
- UNLESS OTHERWISE SPECIFIED AND/OR INDICATED: DIMENSIONS ARE TO FACE OF VIEW SHOWN AND AUTOMATICALLY ROUNDED BY COMPUTER FOR INSPECTION. (SEE MATH MODEL FOR PRECISE DIMENSION) FOR ALL OTHER DIMENSIONS NOT SHOWN BUT REQUIRED FOR TOOL BUILD, SEE MATH MODEL FOR PRECISE TOOL PATH DATA. DRAFT PERMISSIBLE IS 1° ON ALL OUTSIDE SURFACES.
 - PART IS SYMMETRICAL ABOUT CENTERLINES.
 - SEALING SURFACES MUST BE FREE OF SINK, NFO, VOIDS, KNIT/FLOW LINES, ETC.
 - THIS GROMMET TO BE USED WITH HARNESS BUNDLE SMOOTH TAPE WRAPPED USING 5 MM TAPE HAVING NO SLITS ON EDGES.
 - THIS GROMMET IS DESIGNED FOR USE ON A 6.0 MM MIN DIA HARNESS BUNDLE.

DWG TYPE PART DRAWING																			
STYLE																			
VOLUME (CM ³)	DISTR CODE																		
ROUTING 6901																			
UNLESS OTHERWISE SPECIFIED THIS DOCUMENT IS IN ACCORDANCE WITH ASME Y14.5M-1994 AS AMENDED BY THE GM GLOBAL DIMENSIONING AND TOLERANCING ADDENDUM - 1997. ALL GEOMETRIC TOLERANCES AND RELATED DATUMS APPLY PER'S. RULE #1 PERFECT FORM AT MMC DOES NOT APPLY WHEN RELATIONSHIP BETWEEN FEATURES IS ESTABLISHED BY ORIENTATION OR LOCATION TOLERANCES. SEPARATE POSITION CALLOUTS MAY BE GAGED SEPARATELY, REGARDLESS OF DATUM REFERENCE.																			
REFERENCE																			
THIRD ANGLE PROJECTION	DO NOT SCALE																		
USE MATH DATA																			
<table border="1"> <thead> <tr> <th>DIMENSIONAL RANGE (MM)</th> <th>CHART</th> <th>C</th> </tr> </thead> <tbody> <tr> <td>FROM > 0</td> <td>> 25</td> <td>> 60</td> </tr> <tr> <td>TO 25</td> <td>60</td> <td>80</td> </tr> <tr> <td colspan="3">TOLERANCE UNLESS OTHERWISE SPECIFIED</td> </tr> <tr> <td>±0.3</td> <td>±0.5</td> <td>±0.6 ±0.75%</td> </tr> <tr> <td colspan="3">ANGULAR TOLERANCE ±2°</td> </tr> </tbody> </table>		DIMENSIONAL RANGE (MM)	CHART	C	FROM > 0	> 25	> 60	TO 25	60	80	TOLERANCE UNLESS OTHERWISE SPECIFIED			±0.3	±0.5	±0.6 ±0.75%	ANGULAR TOLERANCE ±2°		
DIMENSIONAL RANGE (MM)	CHART	C																	
FROM > 0	> 25	> 60																	
TO 25	60	80																	
TOLERANCE UNLESS OTHERWISE SPECIFIED																			
±0.3	±0.5	±0.6 ±0.75%																	
ANGULAR TOLERANCE ±2°																			

DELPHI	
DELPHI PACKARD ELECTRIC SYSTEMS WARREN, OH	
DR	DATE
APVD1 J. VAZQUEZ	21JA98
APVD2 J. VAZQUEZ	21JA98
APVD3 S. NORLING	23JA98
APVD4	
APVD5	
SUBSTANCES OF CONCERN AND RECYCLED CONTENT PER DELPHI 10949001	
MATERIAL SEE DRAWING	
DRAWING NAME ASM GROM ACOUSTICAL	
DRAWING NUMBER 15336702	
SIZE A1	SCALE 2:1
FRAME NO 1 OF 1	SHEET NO 1 OF 1
STG R	REV A1
N/P -	