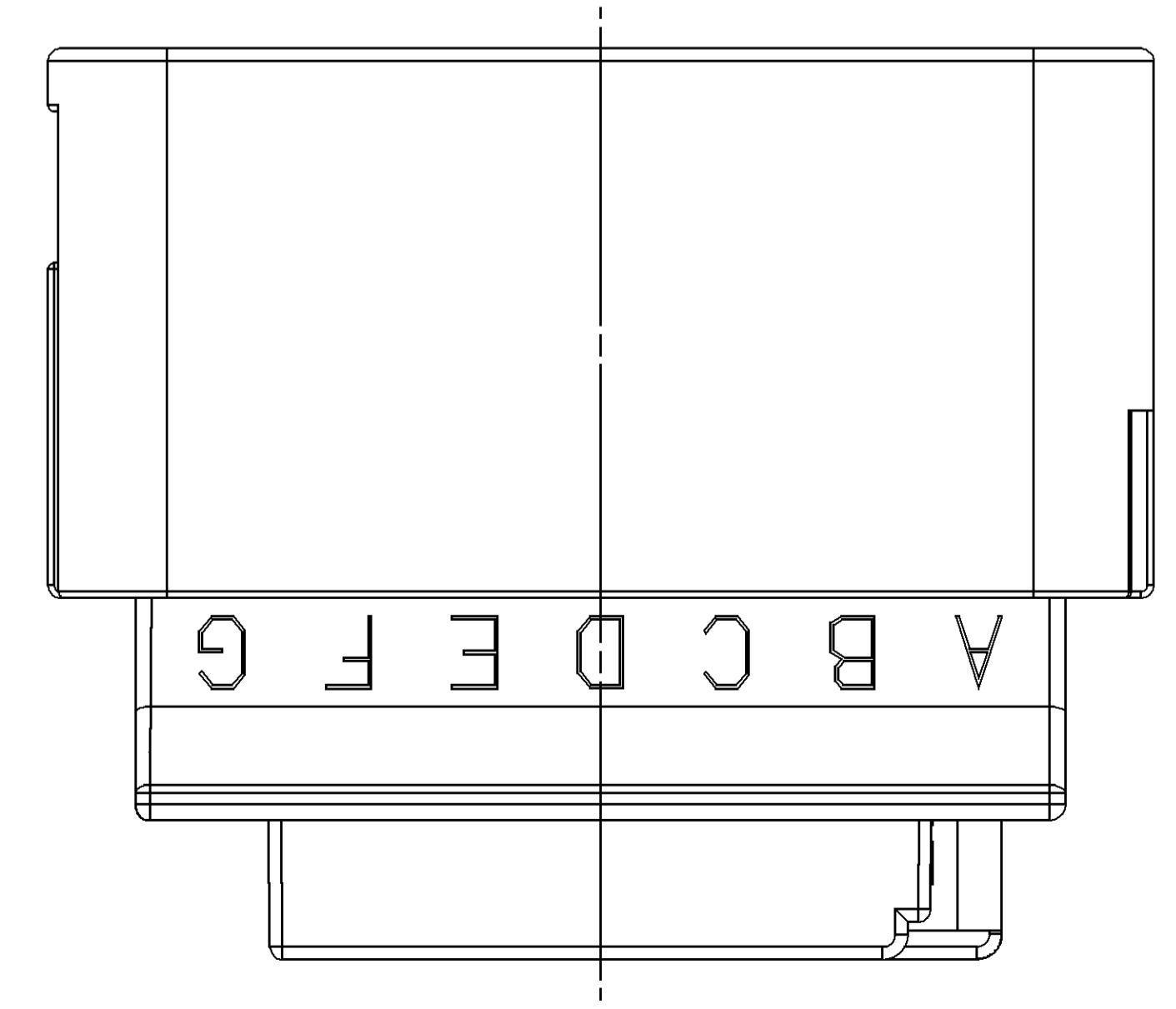
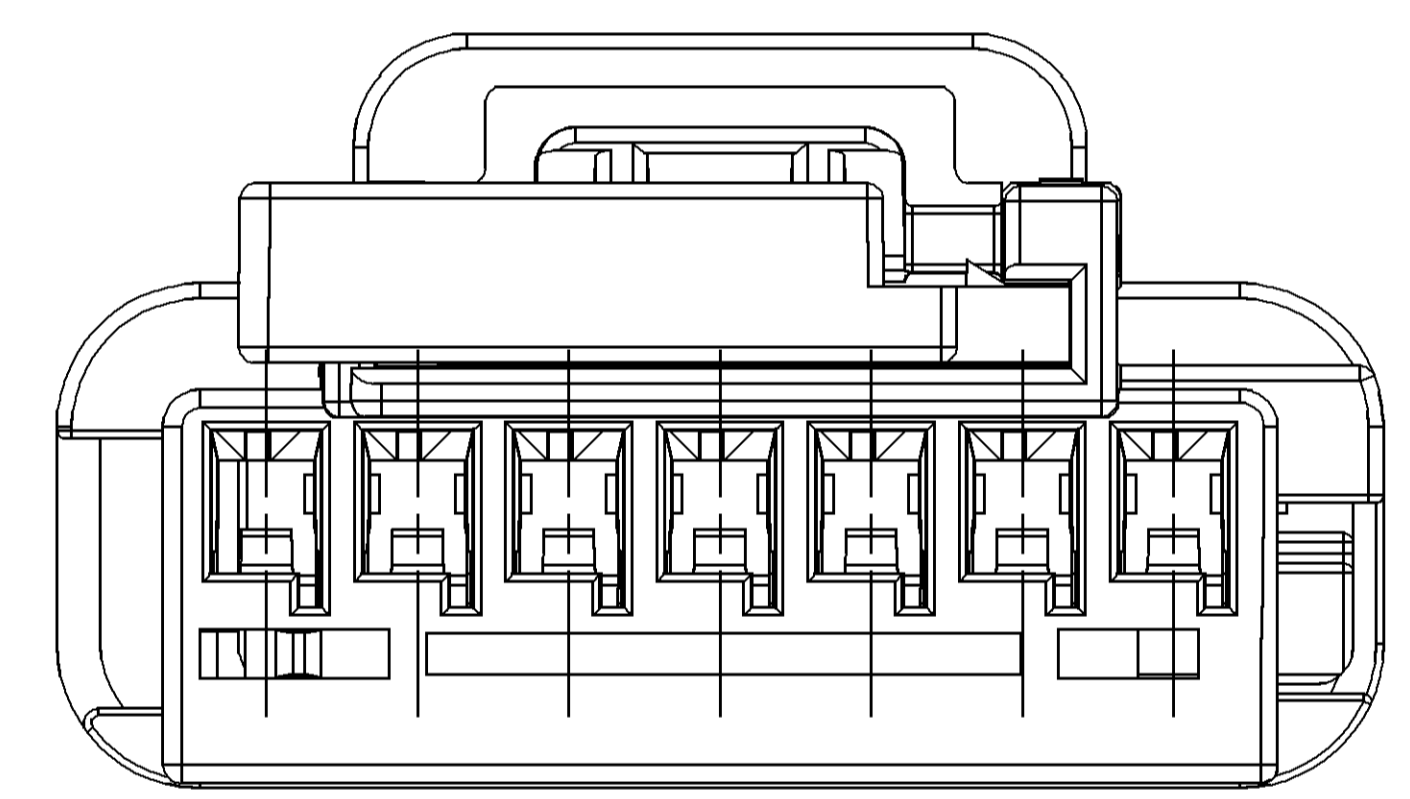
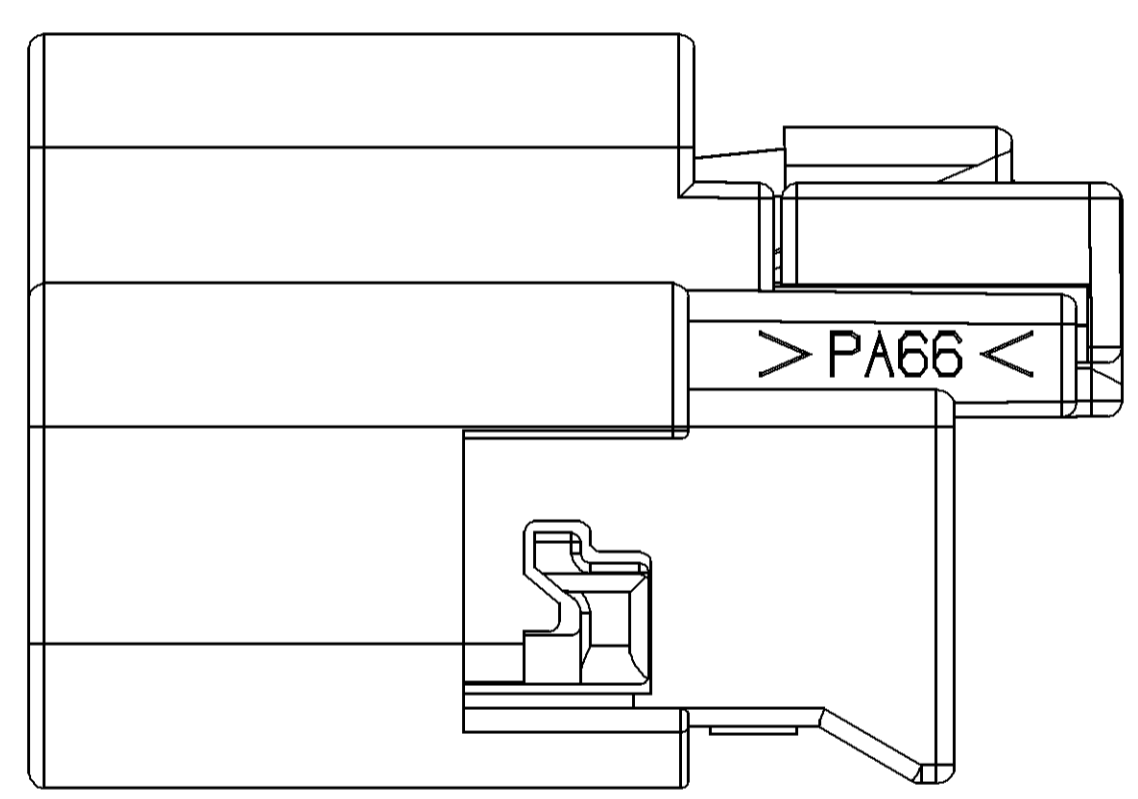
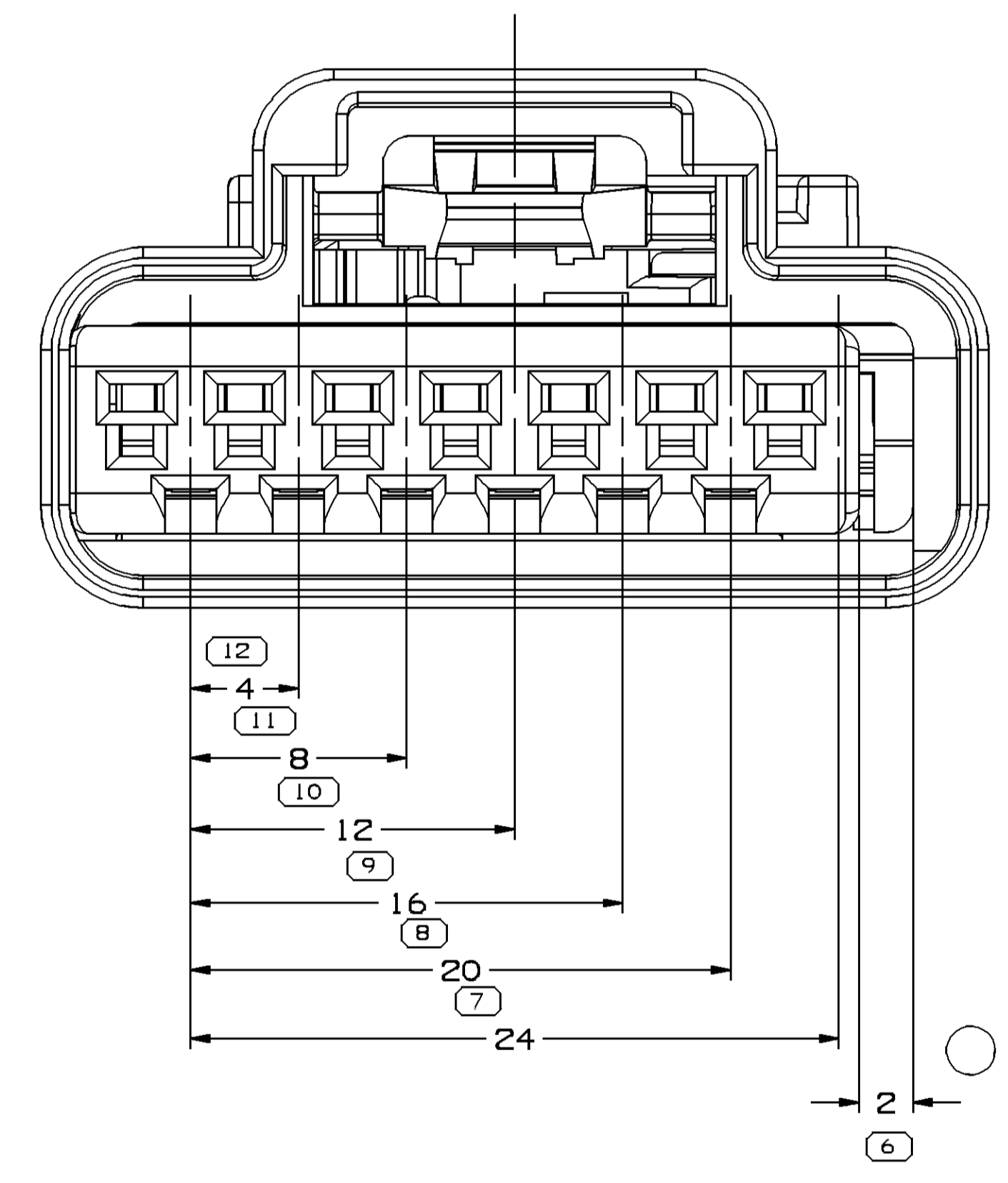
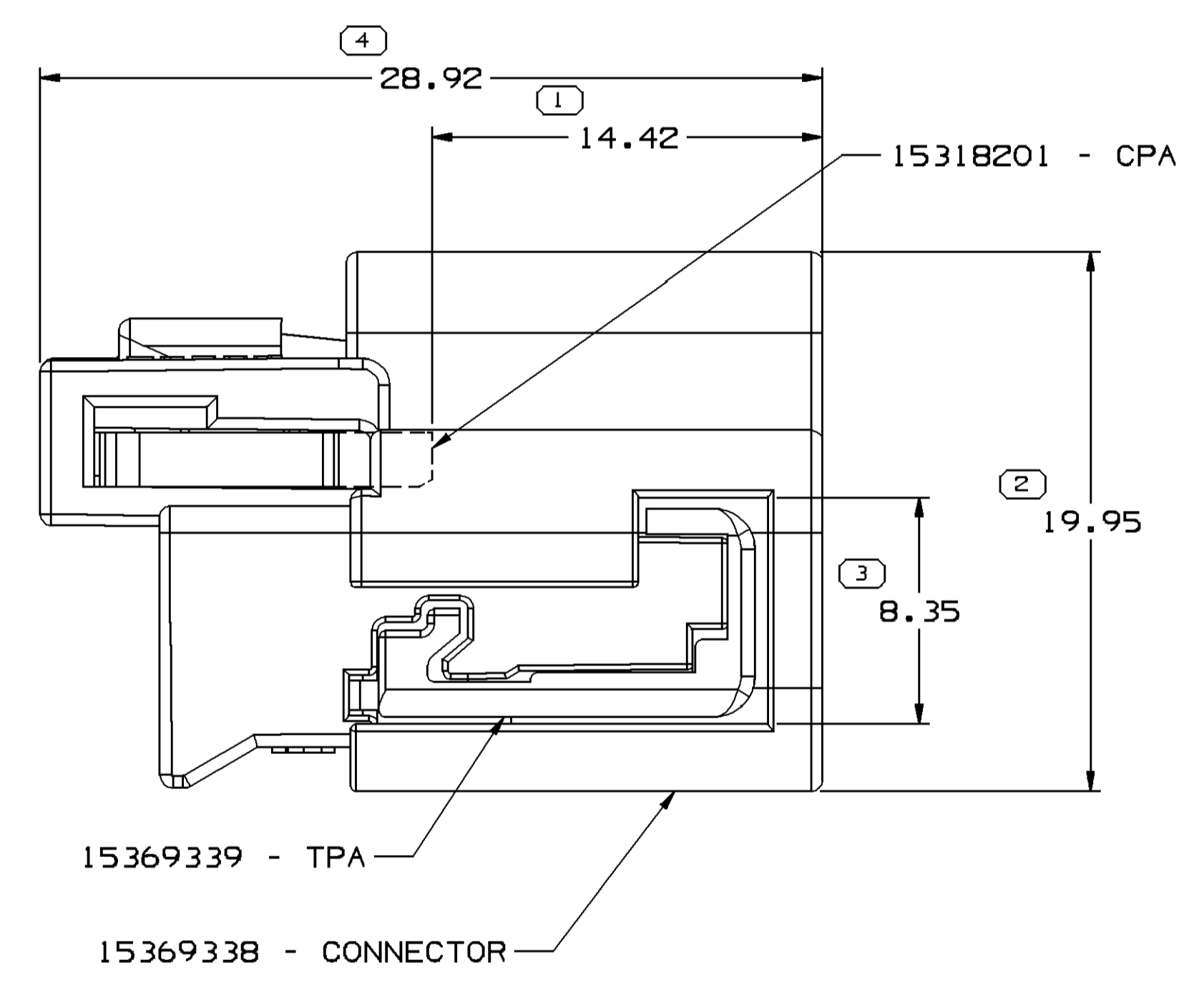
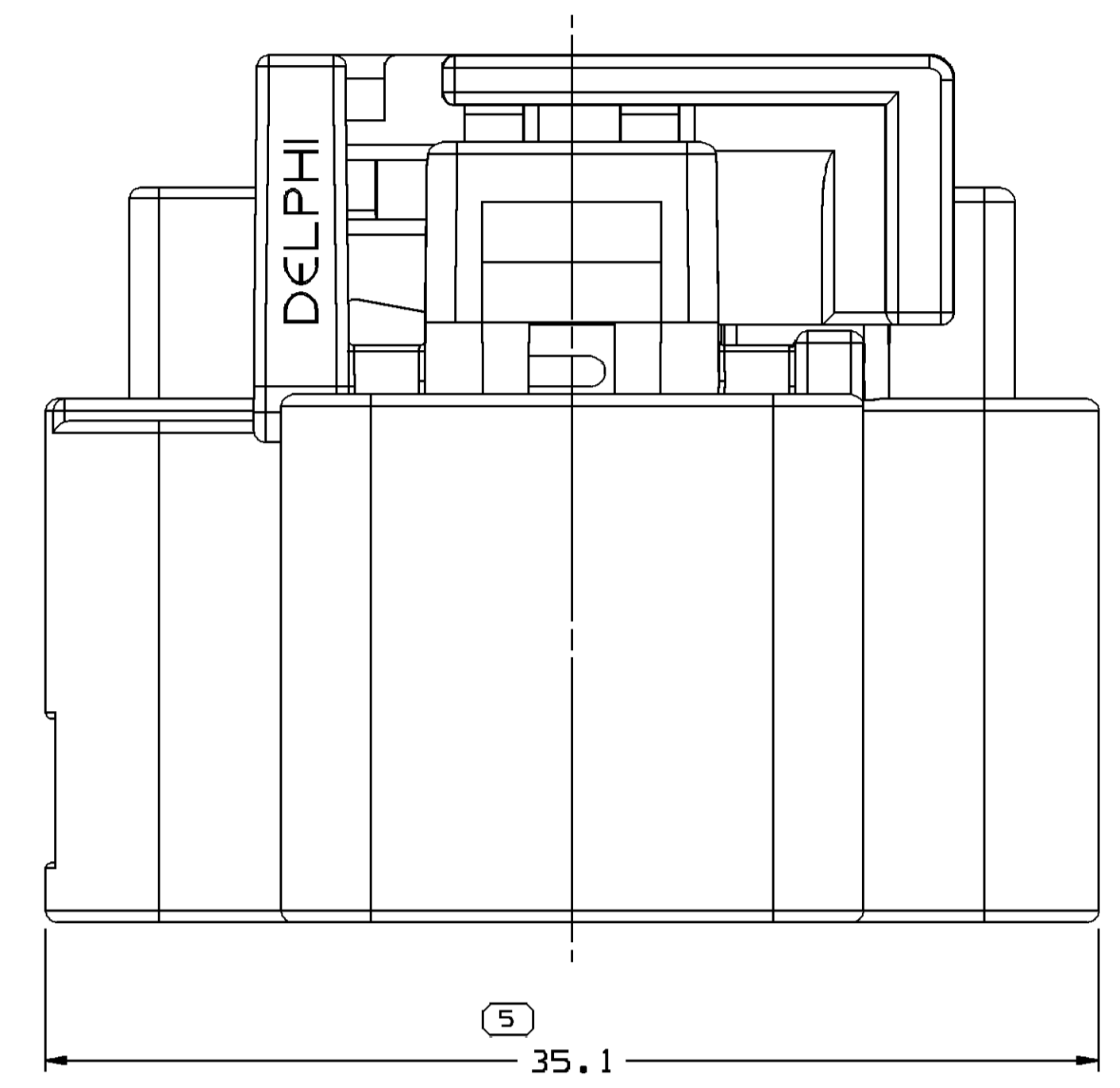
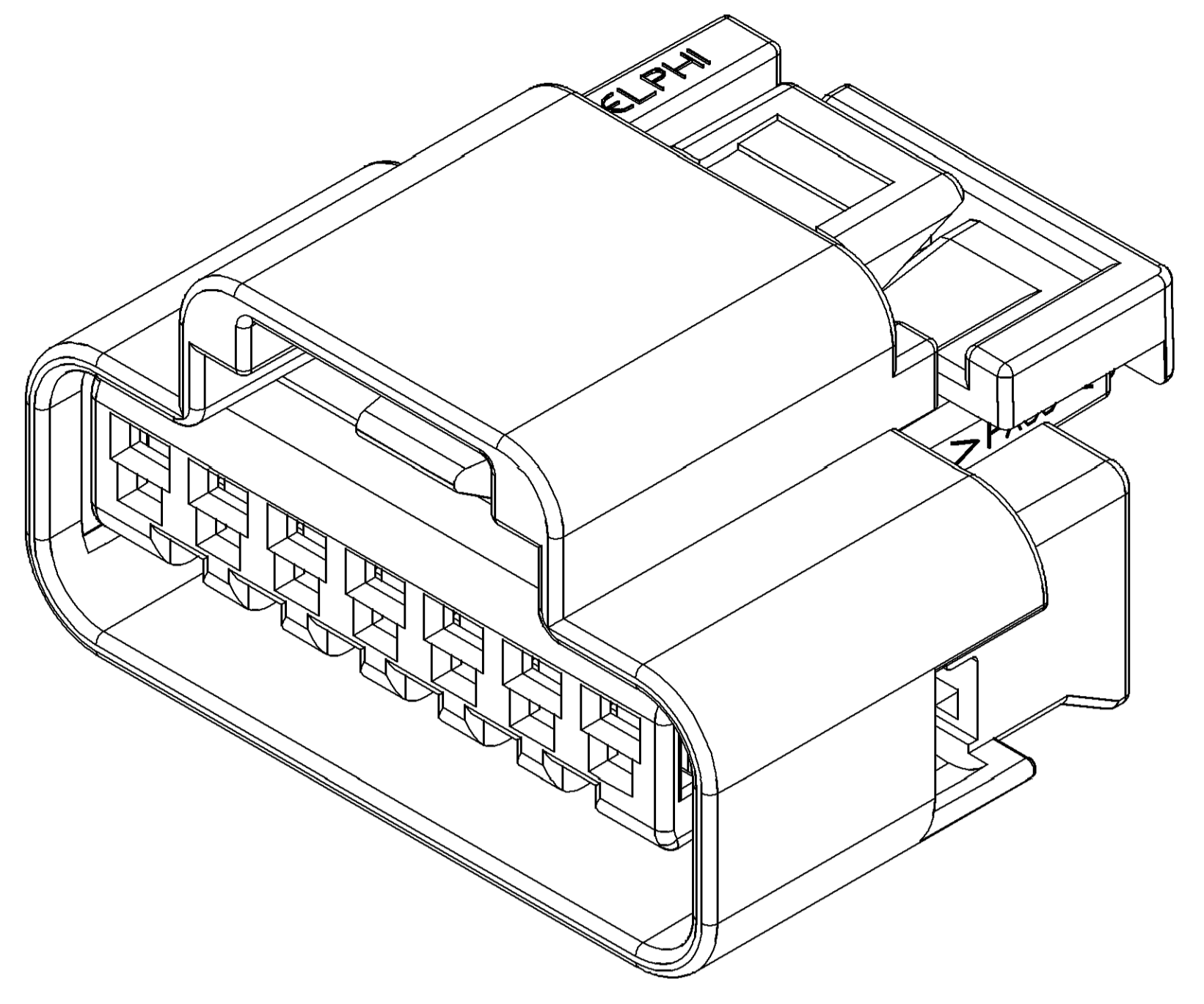


SYMBOL DEFINITION		TOTAL NO OF INSPECTIONS REQUIRED	MISSING SYMBOLS
A DIMENSION WITHOUT AN INSPECTION REPORT SYMBOL DOES NOT REQUIRE INSPECTION. IT MAY BE CONTROLLED ON THE INDIVIDUAL COMPONENT DRAWING.		12	NO MISSING SYMBOL NUMBER
LAST NO. USED		12	

DWG STATUS				REVISION HISTORY		AUTH		DR		AP/VD	
DATE	STG	REV	N/P	CHG	ZONE						
080C99	R	001	-	-		RELEASED	990005	JHN	JVM	PH	1
02N099	R	002	-	-		14.42 WAS 14.22	197460	KBD	KBD	PH	M
23DE99	R	003	-	-		REVISED GRAPHICS	198071	EVV	GG1	PH	A
21FE00	R	004	-	-		REVISED GRAPHICS	198588	JTV	AUG	PH	A
070C08	R	04	AA	-		ADDED DIM 2	406330	GG5	MMC	GG5	2



NOTES

- UNLESS OTHERWISE SPECIFIED AND/OR INDICATED:
DIMENSIONS ARE TO FACE OF VIEW SHOWN AND AUTOMATICALLY ROUNDED BY COMPUTER FOR INSPECTION (SEE MATH MODEL FOR PRECISE DIMENSIONS). FOR ALL OTHER DIMENSIONS NOT SHOWN BUT REQUIRED FOR TOOL BUILD, SEE MATH MODEL FOR PRECISE TOOL PATH DATA.
- THIS PRODUCT IS NOT CATEGORIZED AS AN APPEARANCE ITEM. MINOR IMPERFECTIONS INCLUDING, BUT NOT LIMITED TO, FLOW MARKS, COLOR BLEMISHES, GATE VESTIGE, AND SOFT FLASH THAT DO NOT AFFECT THE FIT, FORM, OR FUNCTION OF THE PART ARE PERMISSIBLE PER NAP 4.10-18.
- SEALING CODE 0 - UNSEALED.
- FOR APPLICATION DATA SEE THE APPLICATION DRAWING.

DWG TYPE PART DRAWING		DATE																																															
STYLE	DISTR CODE	DR	DATE																																														
VOLUME (OF)	D	APV01 JOSE HDEZ. NOVOA	080C99																																														
UNLESS OTHERWISE SPECIFIED		APV02 J. VILLAMIL	090C99																																														
THIS DOCUMENT IS IN ACCORDANCE WITH ASME Y14.5M-1994 AS MODIFIED BY THE IN-SOURCE DIMENSIONING AND TOLERANCING ADDENDUM-2003. SEPARATE WRITINGS OF FEATURES MAY BE BASED SEPARATELY PER-PROCESS OF DIMENSIONAL REFERENCES.		APV03 PAUL H. ALAKSIN	200C99																																														
ALL DIMENSIONS ARE IN MILLIMETERS		APV04																																															
REFERENCE		APV05																																															
THIRD ANGLE PROJECTION		SUBSTANCES OF CONCERN AND RECYCLED CONTENT PER DELPHI 10949001																																															
DO NOT SCALE		MATERIALS SEE INDIVIDUAL DRAWINGS																																															
USE MATH DATA		DRAWING NAME																																															
<table border="1"> <tr> <th>DIMENSIONAL RANGE (MM)</th> <th>SHORT ET</th> </tr> <tr> <td>FROM > 0</td> <td>> 30</td> </tr> <tr> <td>TO</td> <td>> 200</td> </tr> <tr> <td>> 20</td> <td>> 70</td> </tr> <tr> <td>> 70</td> <td>> 100</td> </tr> <tr> <td>> 100</td> <td>> 150</td> </tr> <tr> <td>> 150</td> <td>> 200</td> </tr> <tr> <td>> 200</td> <td>> 250</td> </tr> <tr> <td>> 250</td> <td>> 300</td> </tr> <tr> <td>> 300</td> <td>> 400</td> </tr> </table>		DIMENSIONAL RANGE (MM)	SHORT ET	FROM > 0	> 30	TO	> 200	> 20	> 70	> 70	> 100	> 100	> 150	> 150	> 200	> 200	> 250	> 250	> 300	> 300	> 400	DRAWING NUMBER																											
DIMENSIONAL RANGE (MM)	SHORT ET																																																
FROM > 0	> 30																																																
TO	> 200																																																
> 20	> 70																																																
> 70	> 100																																																
> 100	> 150																																																
> 150	> 200																																																
> 200	> 250																																																
> 250	> 300																																																
> 300	> 400																																																
<table border="1"> <tr> <th>DIMENSIONAL RANGE (MM)</th> <th>ANGULAR TOLERANCE</th> </tr> <tr> <td>0.0 - 0.25</td> <td>±0.1</td> </tr> <tr> <td>0.25 - 0.5</td> <td>±0.15</td> </tr> <tr> <td>0.5 - 0.75</td> <td>±0.2</td> </tr> <tr> <td>0.75 - 1.0</td> <td>±0.25</td> </tr> <tr> <td>1.0 - 1.5</td> <td>±0.3</td> </tr> <tr> <td>1.5 - 2.0</td> <td>±0.4</td> </tr> <tr> <td>2.0 - 3.0</td> <td>±0.5</td> </tr> <tr> <td>3.0 - 4.0</td> <td>±0.6</td> </tr> <tr> <td>4.0 - 6.0</td> <td>±0.8</td> </tr> <tr> <td>6.0 - 10.0</td> <td>±1.0</td> </tr> <tr> <td>10.0 - 15.0</td> <td>±1.2</td> </tr> <tr> <td>15.0 - 30.0</td> <td>±1.5</td> </tr> <tr> <td>30.0 - 60.0</td> <td>±2.0</td> </tr> <tr> <td>60.0 - 120.0</td> <td>±2.5</td> </tr> <tr> <td>120.0 - 250.0</td> <td>±3.0</td> </tr> <tr> <td>250.0 - 500.0</td> <td>±4.0</td> </tr> <tr> <td>500.0 - 1000.0</td> <td>±5.0</td> </tr> </table>		DIMENSIONAL RANGE (MM)	ANGULAR TOLERANCE	0.0 - 0.25	±0.1	0.25 - 0.5	±0.15	0.5 - 0.75	±0.2	0.75 - 1.0	±0.25	1.0 - 1.5	±0.3	1.5 - 2.0	±0.4	2.0 - 3.0	±0.5	3.0 - 4.0	±0.6	4.0 - 6.0	±0.8	6.0 - 10.0	±1.0	10.0 - 15.0	±1.2	15.0 - 30.0	±1.5	30.0 - 60.0	±2.0	60.0 - 120.0	±2.5	120.0 - 250.0	±3.0	250.0 - 500.0	±4.0	500.0 - 1000.0	±5.0	<table border="1"> <tr> <td>SCALE</td> <td>FRAME NO</td> <td>SHEET NO</td> <td>REV</td> <td>N/P</td> </tr> <tr> <td>5:1</td> <td>1 OF 1</td> <td>1 OF 1</td> <td>R</td> <td>04 AA</td> </tr> </table>		SCALE	FRAME NO	SHEET NO	REV	N/P	5:1	1 OF 1	1 OF 1	R	04 AA
DIMENSIONAL RANGE (MM)	ANGULAR TOLERANCE																																																
0.0 - 0.25	±0.1																																																
0.25 - 0.5	±0.15																																																
0.5 - 0.75	±0.2																																																
0.75 - 1.0	±0.25																																																
1.0 - 1.5	±0.3																																																
1.5 - 2.0	±0.4																																																
2.0 - 3.0	±0.5																																																
3.0 - 4.0	±0.6																																																
4.0 - 6.0	±0.8																																																
6.0 - 10.0	±1.0																																																
10.0 - 15.0	±1.2																																																
15.0 - 30.0	±1.5																																																
30.0 - 60.0	±2.0																																																
60.0 - 120.0	±2.5																																																
120.0 - 250.0	±3.0																																																
250.0 - 500.0	±4.0																																																
500.0 - 1000.0	±5.0																																																
SCALE	FRAME NO	SHEET NO	REV	N/P																																													
5:1	1 OF 1	1 OF 1	R	04 AA																																													

DELPHI
DELPHI PACKARD ELECTRICAL/ELECTRONIC ARCHITECTURE
WARREN, OH

DR	DATE
APV01 JOSE HDEZ. NOVOA	080C99
APV02 J. VILLAMIL	090C99
APV03 PAUL H. ALAKSIN	200C99
APV04	
APV05	

ALL DIMENSIONS ARE IN MILLIMETERS

THIRD ANGLE PROJECTION

DO NOT SCALE

USE MATH DATA

DRAWING NAME
ASM CONN 7 F GT 150

DRAWING NUMBER
15355108

SCALE	FRAME NO	SHEET NO	REV	N/P
5:1	1 OF 1	1 OF 1	R	04 AA