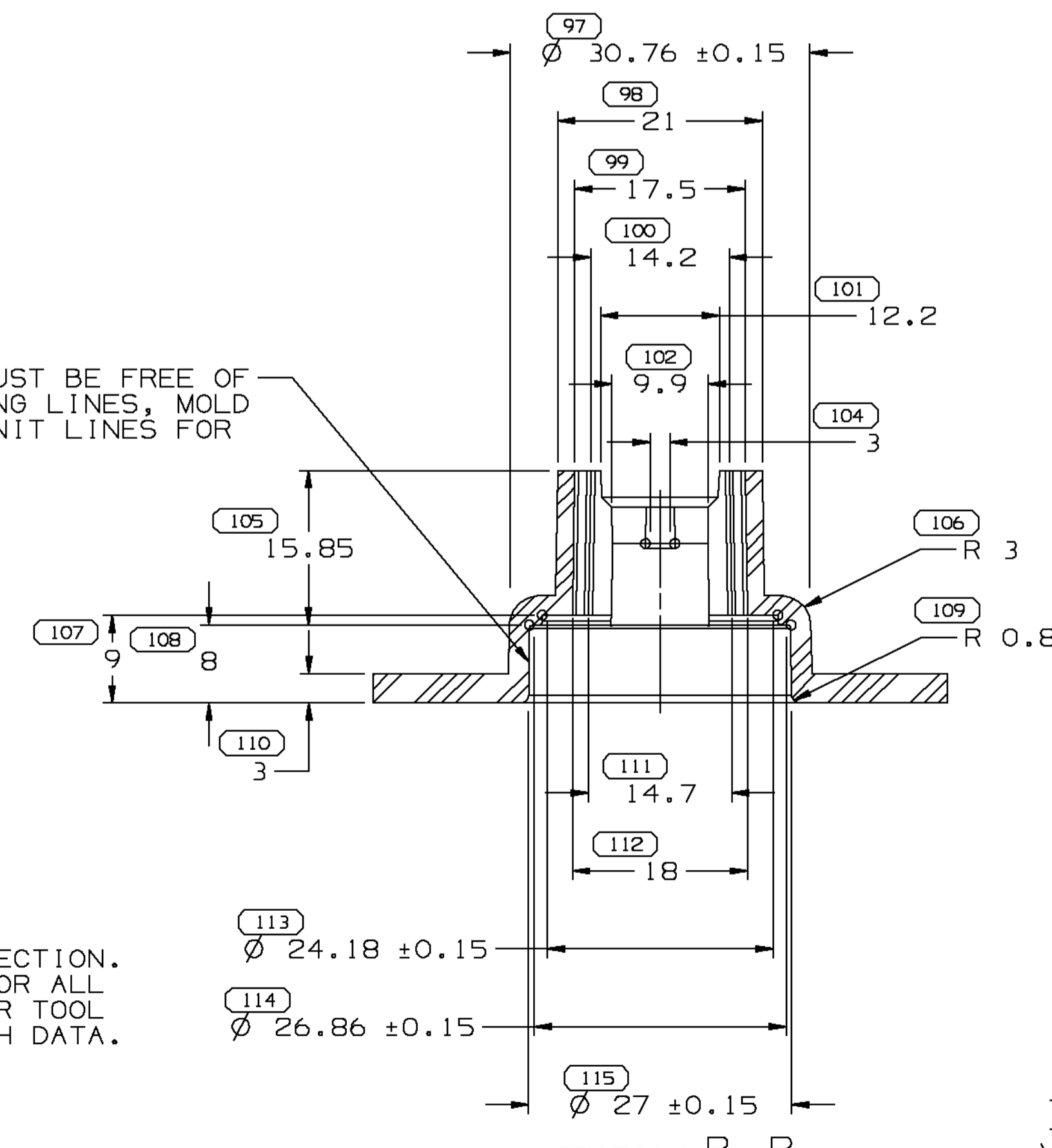
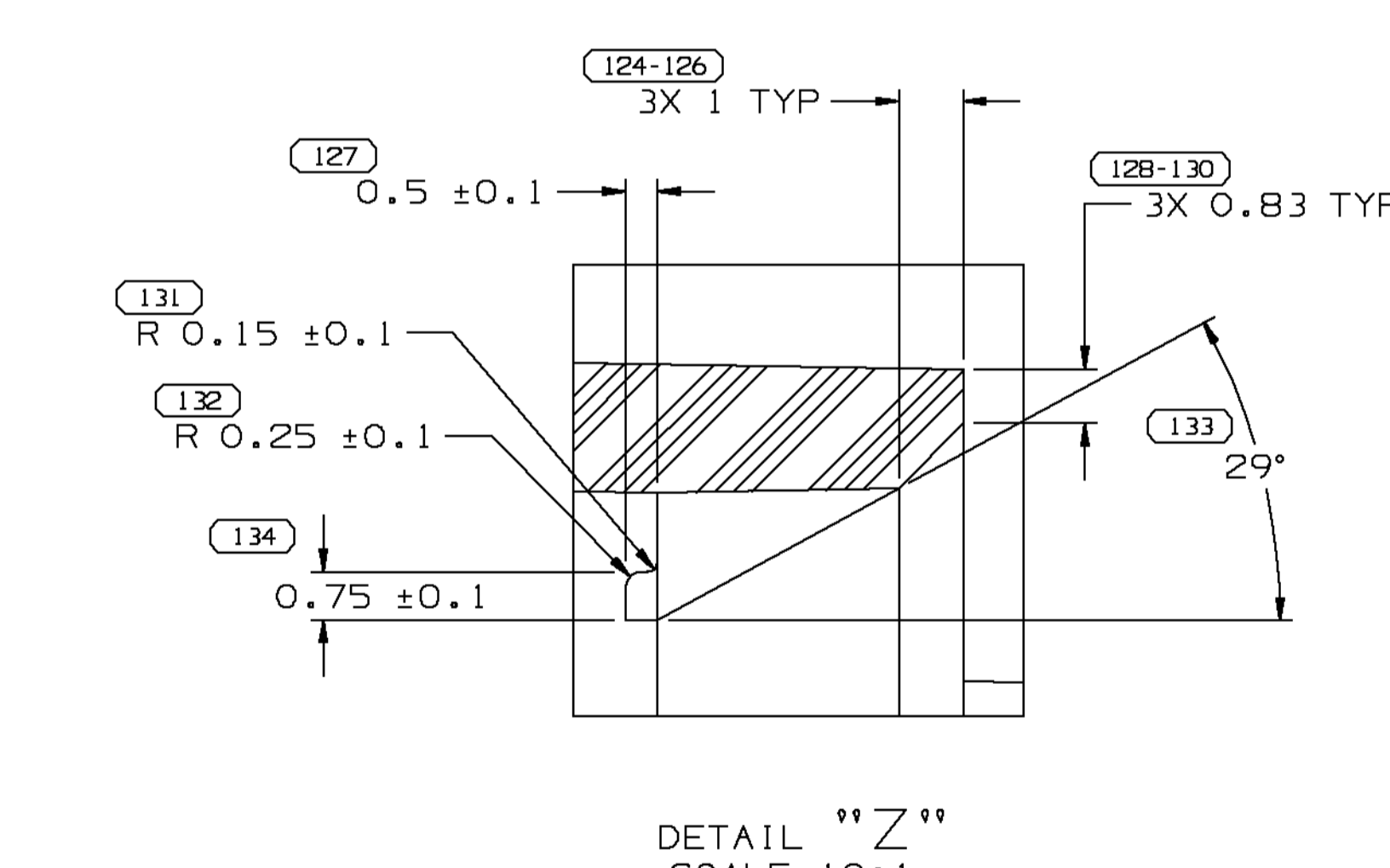
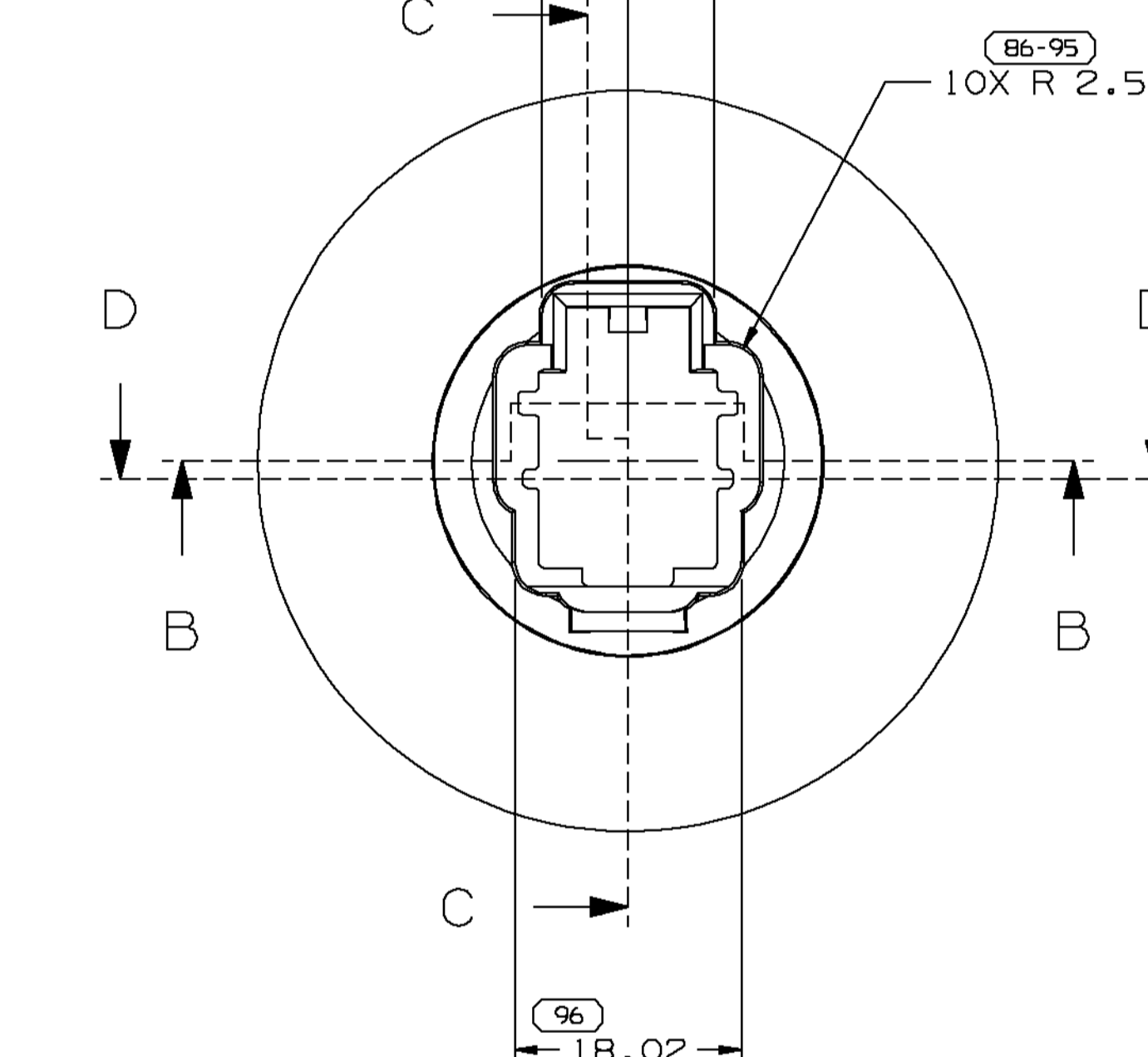
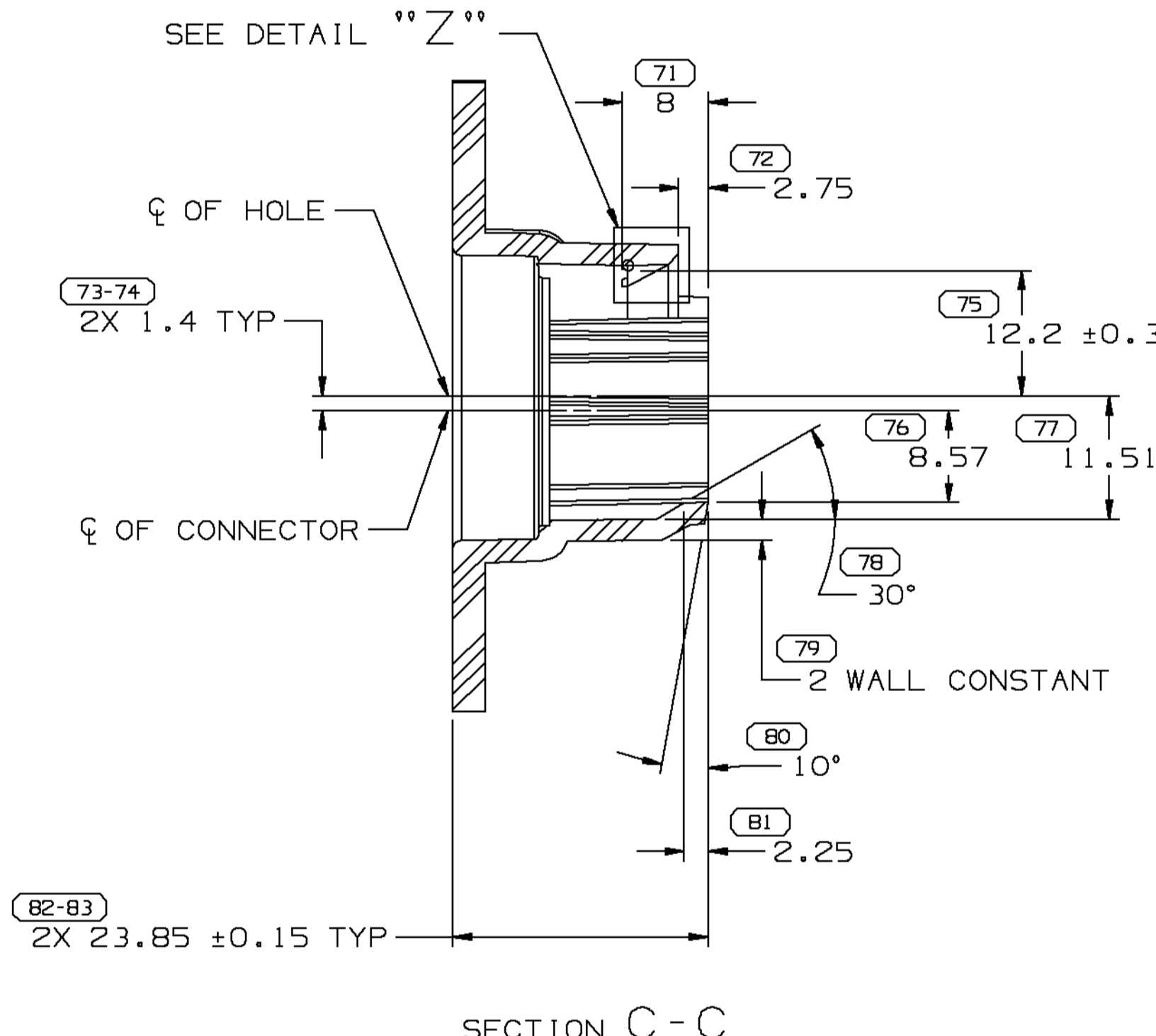
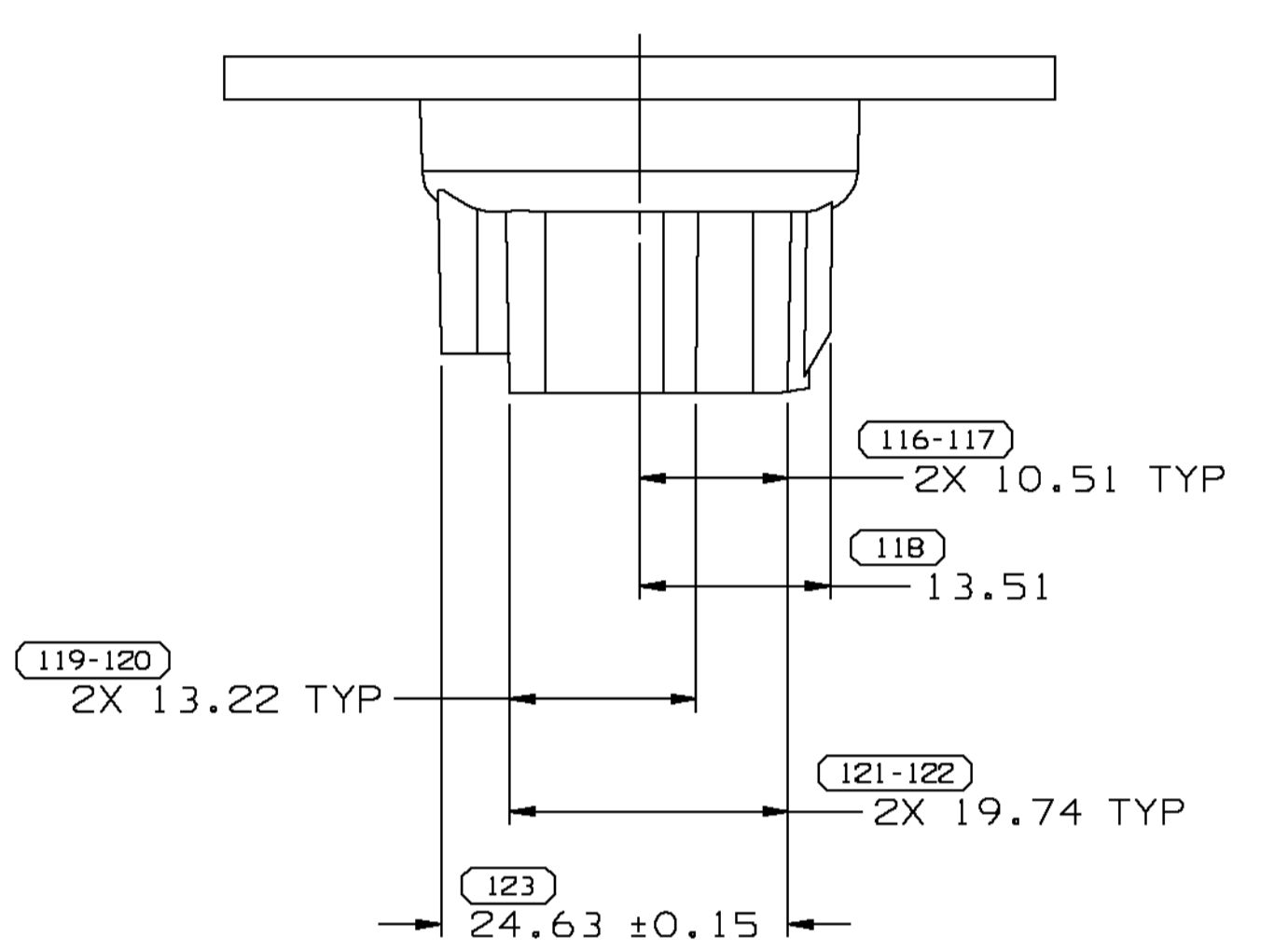
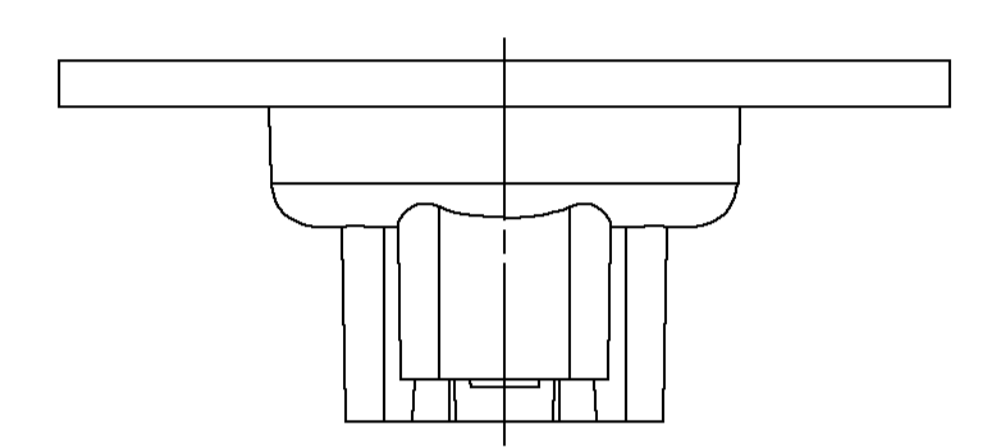
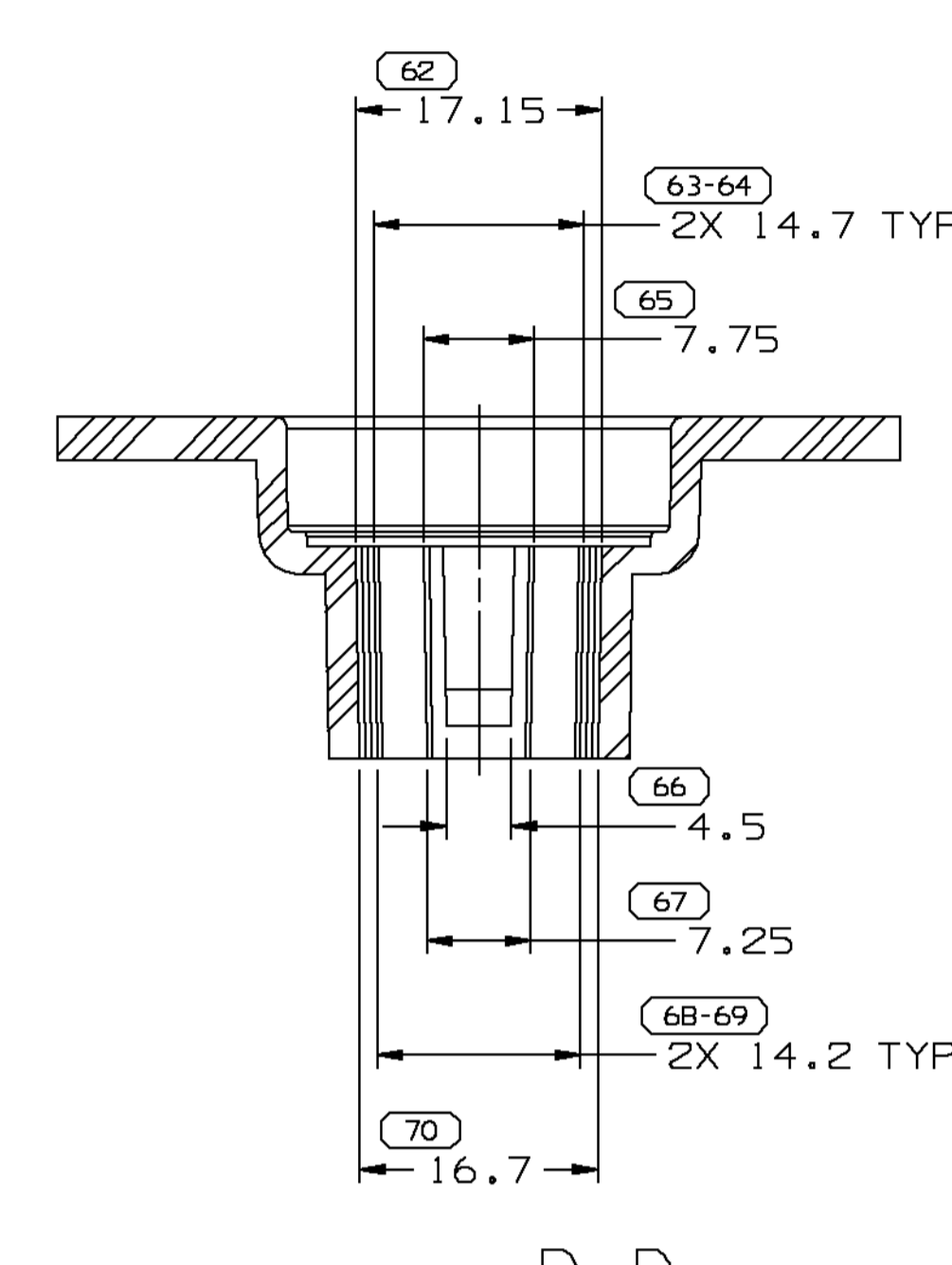
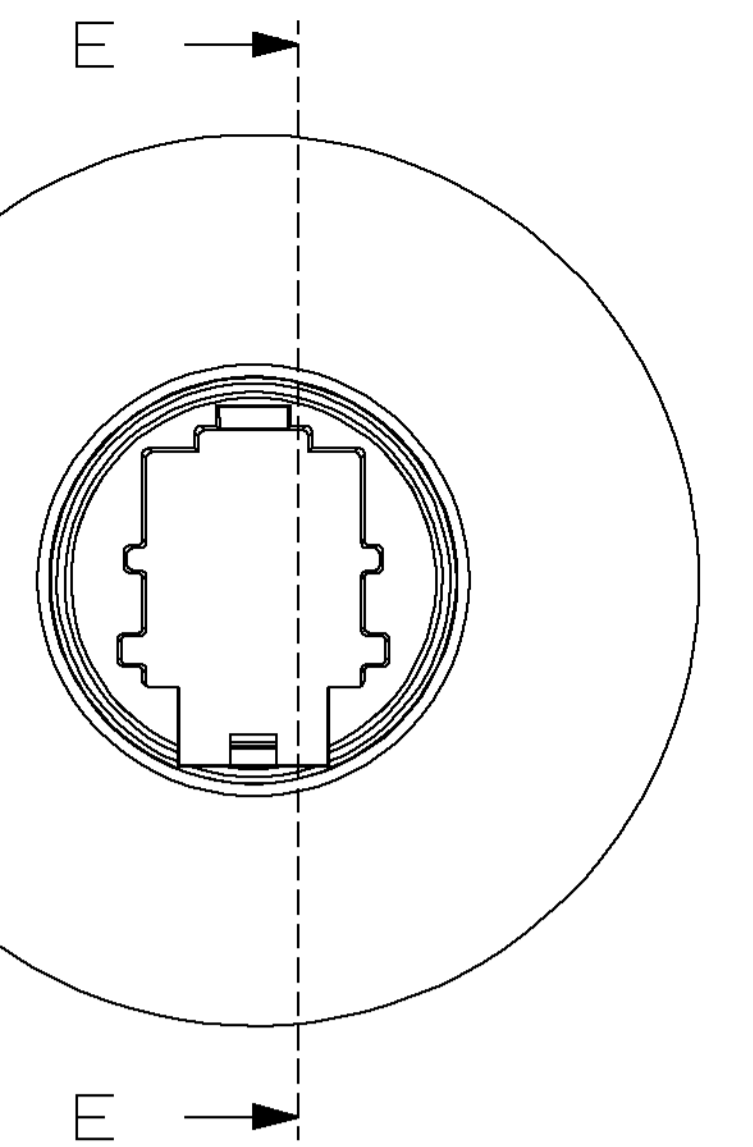
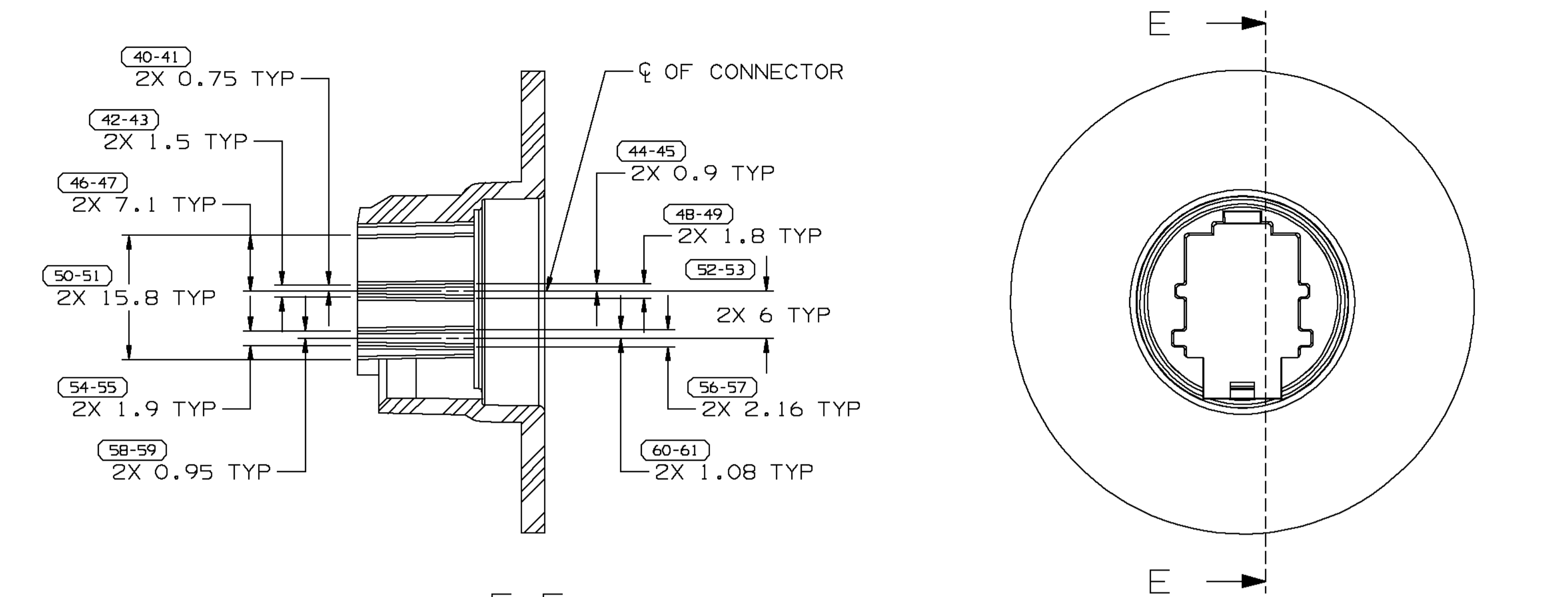
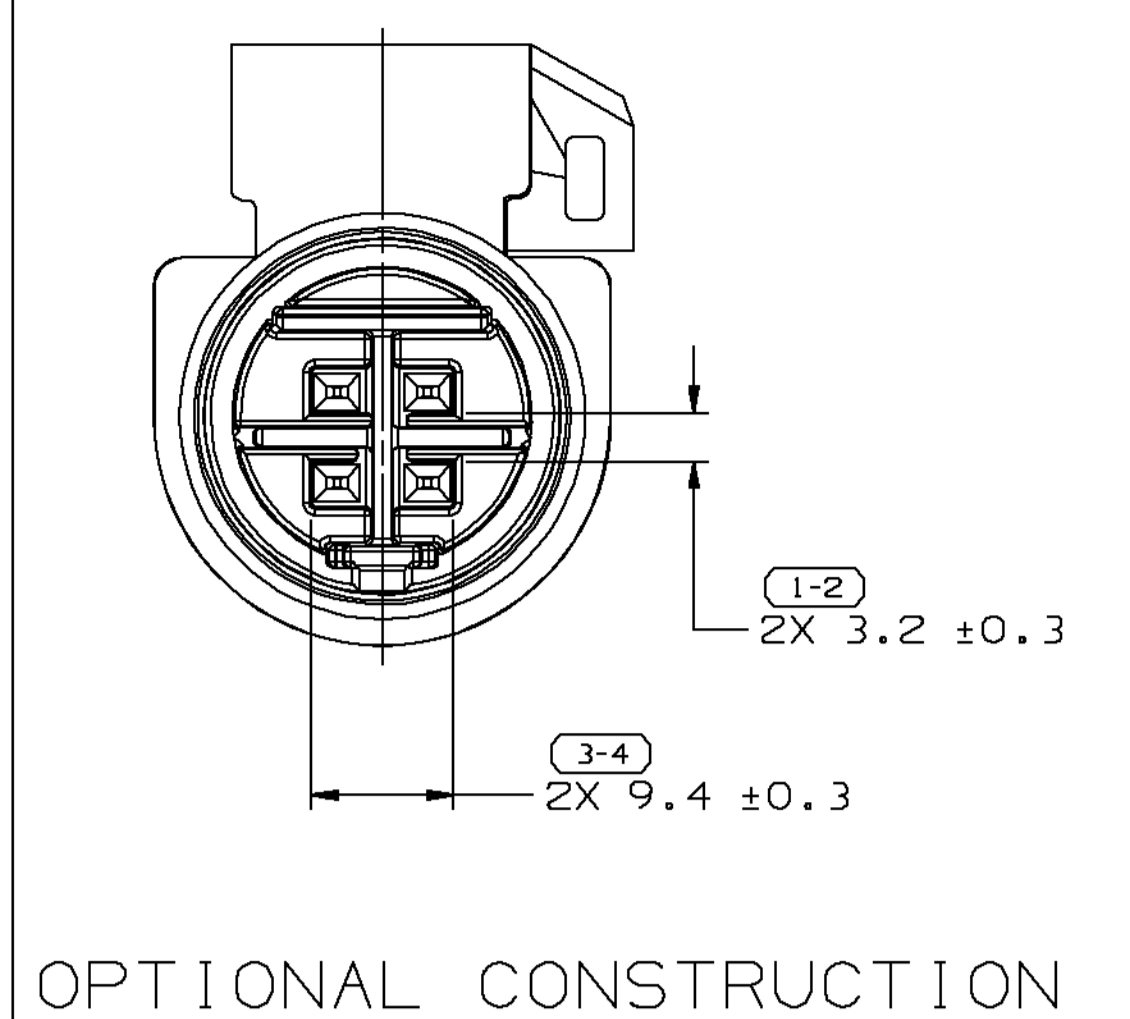


DELPHI PACKARD ELECTRIC SYSTEMS
WARREN, OHIO 44486



MATING CONNECTOR INFORMATION
INSPECTION SYMBOLS SHOWN IN THESE
VIEWS ARE FOR REFERENCE ONLY

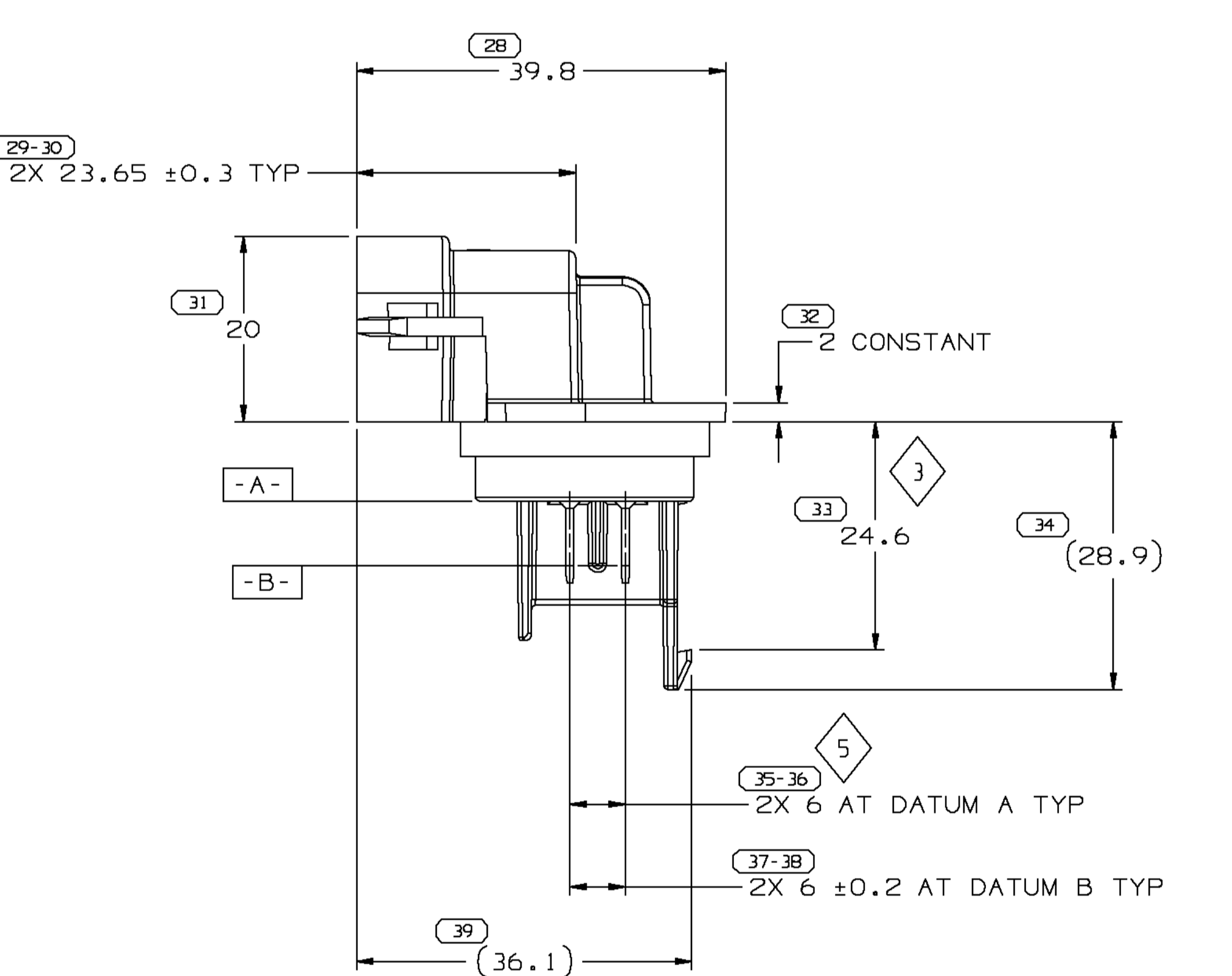
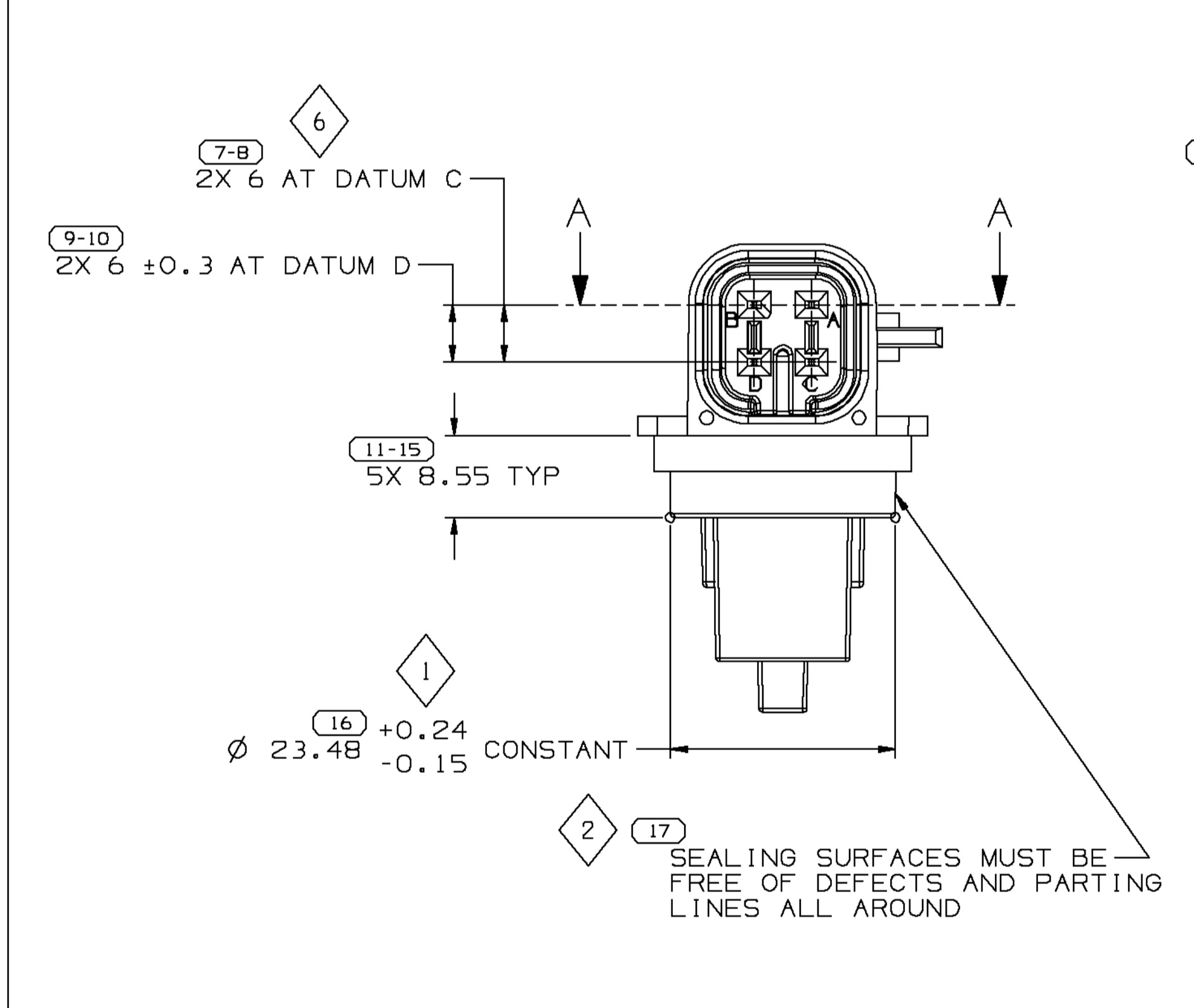
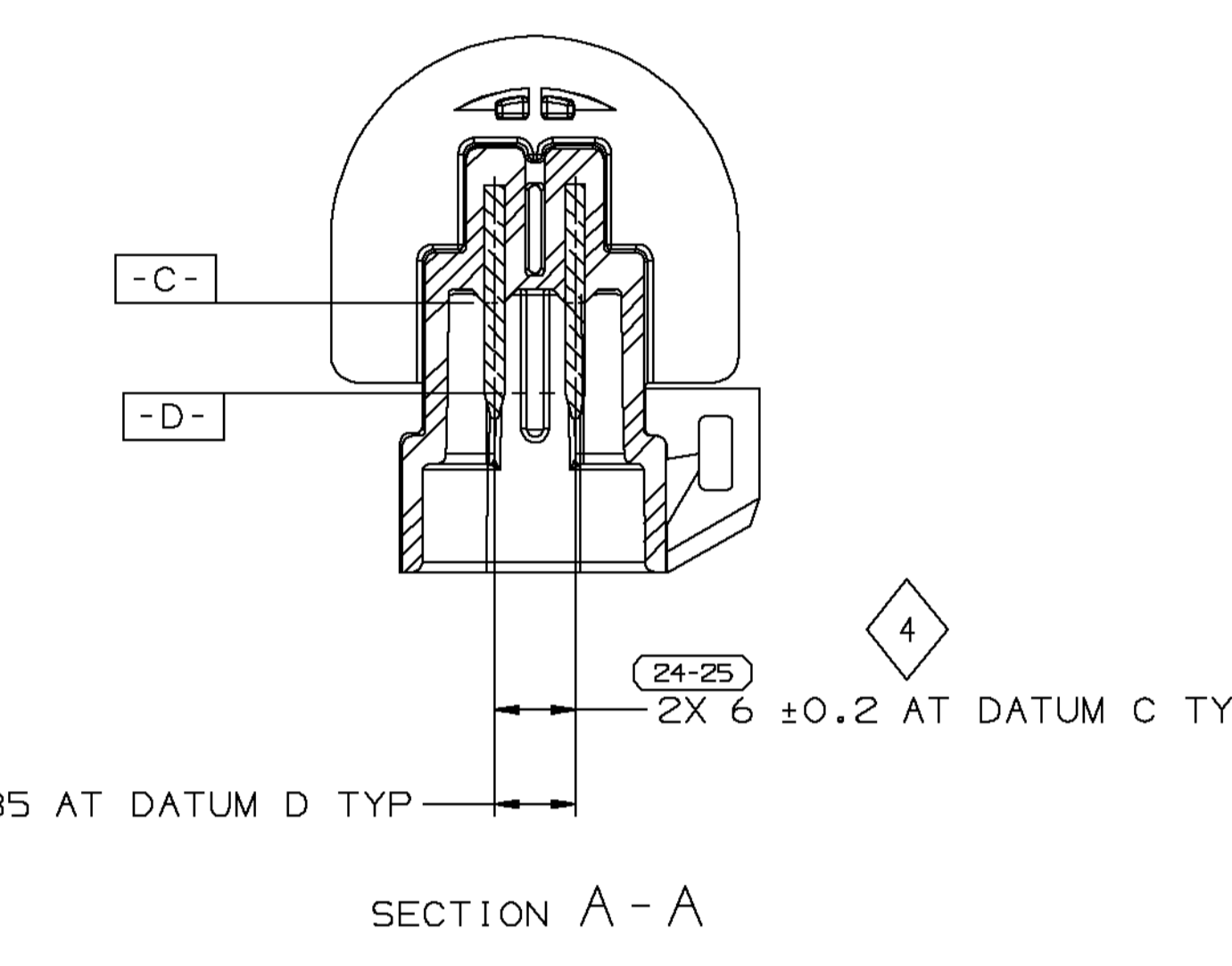
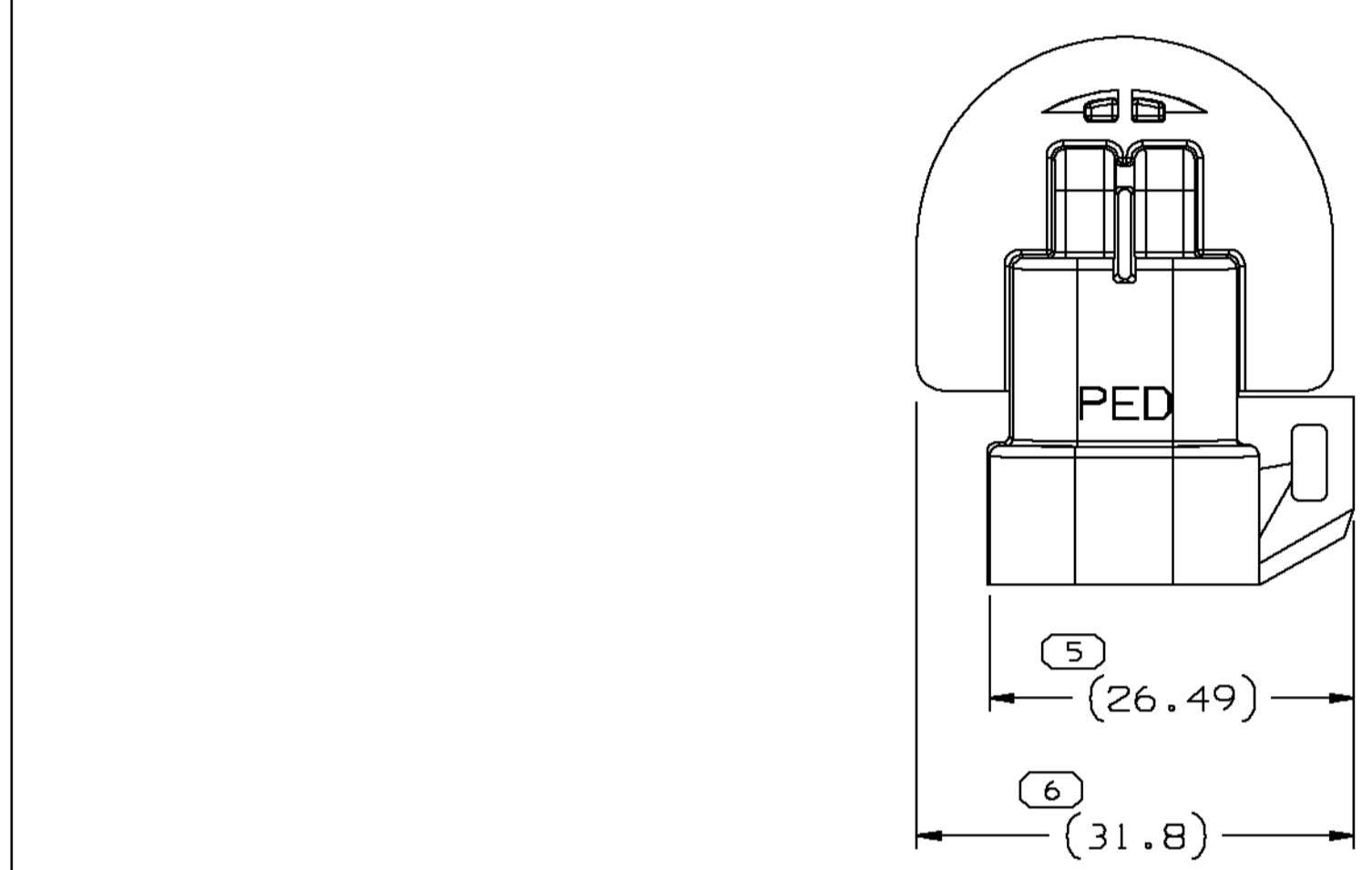


KEY PRODUCT CHARACTERISTIC SYMBOLS (0, Ø) INDICATE PRODUCT CHARACTERISTICS THAT REQUIRE SPECIAL CARE, DOCUMENTATION, AND ACCEPTANCE CRITERIA PER GM 1805 ON AND DELPHI PACKARD ELECTRIC SYSTEMS PROCEDURES.

KEY PRODUCT CHARACTERISTICS	
SAFETY/COMPLIANCE	FIT/FUNCTION
TOTAL ON DRAWING	7
LAST NUMBER USED	7

SYMBOL DEFINITION	
THE NUMBER INSIDE THE SYMBOL CORRESPONDS TO THE NUMBER ON THE INSPECTION REPORT FOR THIS DRAWING/PART NUMBER	TOTAL NO. OF SYMBOLS ON DRAWING: 88
	LAST NO. USED: 134

MISSING NUMBERS	
DATE	DWG STATUS
26JAO01 R 001 - -	153553B - RELEASED
26JAO02 R 002 - -	153553B - REVISED GRAPHICS & MATL SPEC: WAS R0100200 PPA 1M-BLK
18JUL00 R 003 - -	153553B - REVISED
28JAO00 R 004 - -	UPDATED POM ATTRIBUTES
09FED01 R 005 - -	ADDED NOTE 4, 153553B WAS AT 003 AA
01MRO11 R 006 - -	153553B - REVISED NOTES



- NOTES
- UNLESS OTHERWISE SPECIFIED AND/OR INDICATED: DIMENSIONS ARE TO FACE OF VIEW SHOWN AND AUTOMATICALLY ROUNDED BY COMPUTER FOR INSPECTION. (SEE MATH MODEL FOR PRECISE DIMENSIONS.) FOR ALL OTHER DIMENSIONS NOT SHOWN BUT REQUIRED FOR TOOL BUILD, SEE MATH MODEL FOR PRECISE TOOL PATH DATA.
 - MATERIAL RECYCLING CODE >PPAK PER SAE J1344 TO APPEAR ON PART.
 - MATING COMPONENTS OR EQUIVALENT: CPA 12077979 CONNECTOR 12160477 CONNECTOR ASSEMBLY 12160482

DELPHI
Automotive Systems

MATERIAL SPEC SEE CHART

SUBSTANCES OF CONCERN AND RECYCLED CONTENT PER DELPHI-A 10949001 DISTR CODE

PART DRAWING

CODE NUMBER	DWG DATE	SCALE	D
6901	26JAO0	2:1	
QC SPEC	STYLE	VOLUME cm³	SEE CHRT

PART GEOMETRY 3D SOLID

UNLESS OTHERWISE SPECIFIED: THIS DOCUMENT IS IN ACCORDANCE WITH ASME Y14.5M - 1994 AS AMENDED BY THE GM GLOBAL DIMENSIONING AND TOLERANCING ADDENDUM - 1997. ALL GEOMETRIC TOLERANCES AND RELATED DATUMS APPLY RFS. RULE #1 (PERFECT FORM AT MMC) DOES NOT APPLY WHEN RELATIONSHIP BETWEEN FEATURES IS ESTABLISHED BY ORIENTATION OR LOCATION TOLERANCES. SEPARATE POSITION CALLOUTS MAY BE GAGED SEPARATELY REGARDLESS OF DATUM REFERENCES.

CHANGE RESTRICTED NO MANUAL CHANGES

COPY OF MATH DATA DO NOT SCALE

METRIC UNLESS OTHERWISE SPECIFIED, ALL DIMENSIONS ARE IN MILLIMETERS

THIRD ANGLE PROJECTION

DRAWING NAME TAXI COUPLING M/M/P 150 IML

FRAME NUMBER	SHEET NUMBER	DRAWING NUMBER	DWG STATUS	SIZE
2 OF 2	2 OF 2	15358975	R 006 -	R

PART NO	REV	N/P	STATUS	MATERIAL SPECIFICATION AND COLOR	VOL	CM³	SHARP CORNER TOLERANCE	CHART E.1	FRAME NUMBER	SHEET NUMBER	DRAWING NUMBER	DWG STATUS	SIZE
153553B	003	AC		PM004853 002 PPA GS-BLK	9.286		R 0.2 MAX	FROM TO 0 20 30 70 100 150 200 300 100 150 200 300 400 10 15 20 25 30 35 40 45 50 55 60 65 70 75 80 85 90 95 100 105 110 115 120 125 130 135 140 145 150 155 160 165 170 175 180 185 190 195 200 205 210 215 220 225 230 235 240 245 250 255 260 265 270 275 280 285 290 295 300 305 310 315 320 325 330 335 340 345 350 355 360 365 370 375 380 385 390 395 400 405 410 415 420 425 430 435 440 445 450 455 460 465 470 475 480 485 490 495 500 505 510 515 520 525 530 535 540 545 550 555 560 565 570 575 580 585 590 595 600 605 610 615 620 625 630 635 640 645 650 655 660 665 670 675 680 685 690 695 700 705 710 715 720 725 730 735 740 745 750 755 760 765 770 775 780 785 790 795 800 805 810 815 820 825 830 835 840 845 850 855 860 865 870 875 880 885 890 895 900 905 910 915 920 925 930 935 940 945 950 955 960 965 970 975 980 985 990 995 1000	1 OF 2	2 OF 2	15358975	R 006 -	R