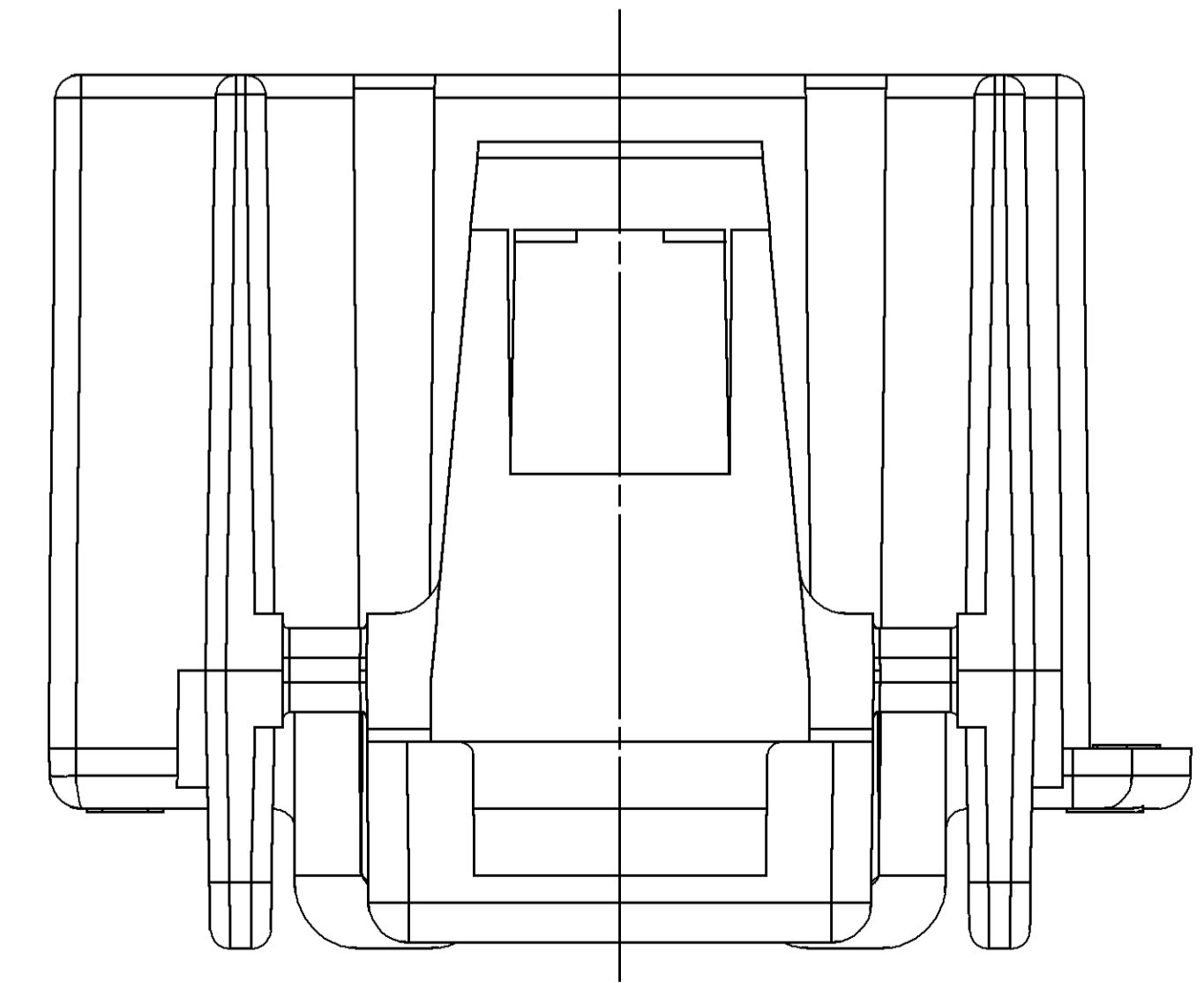
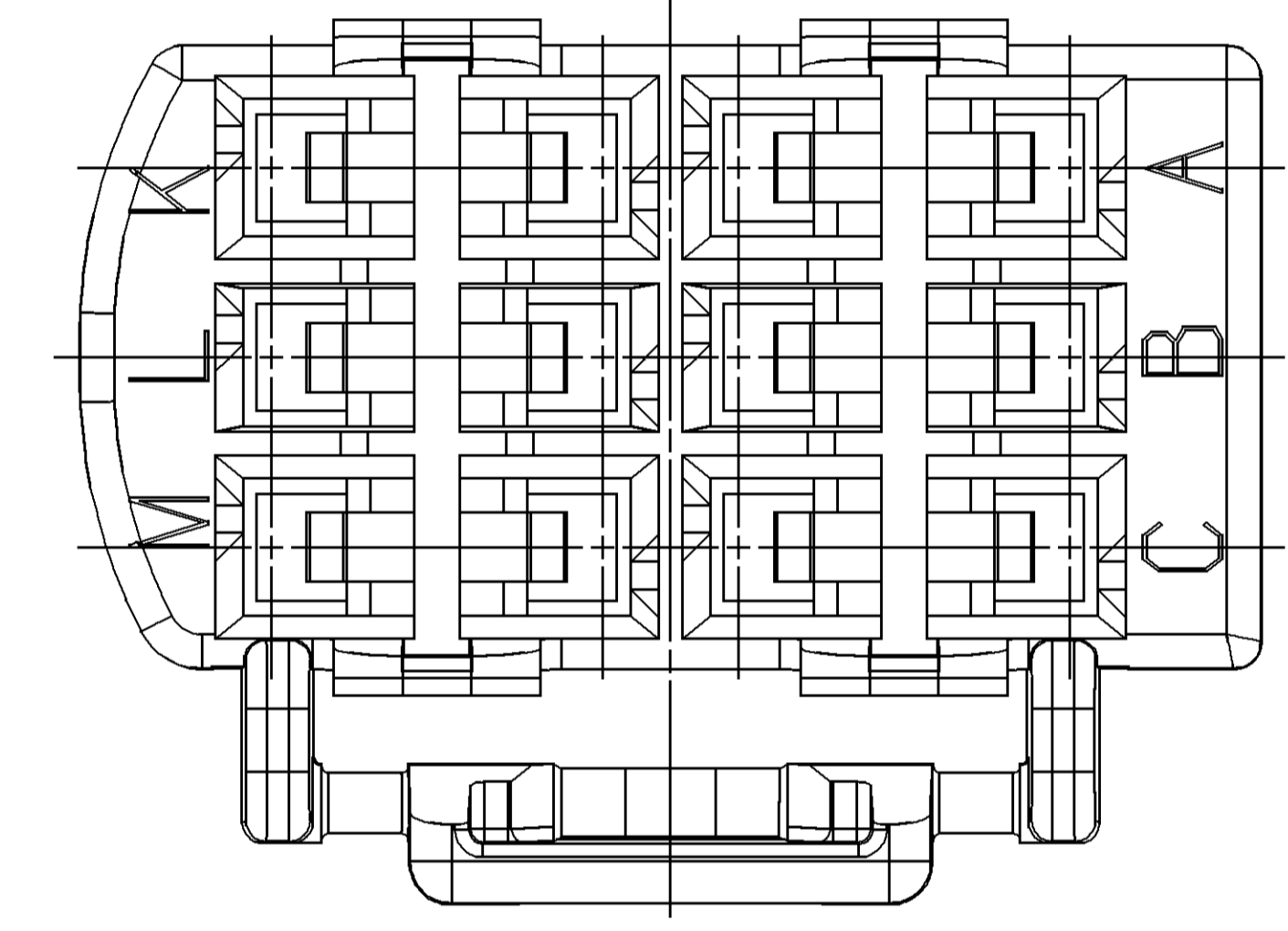
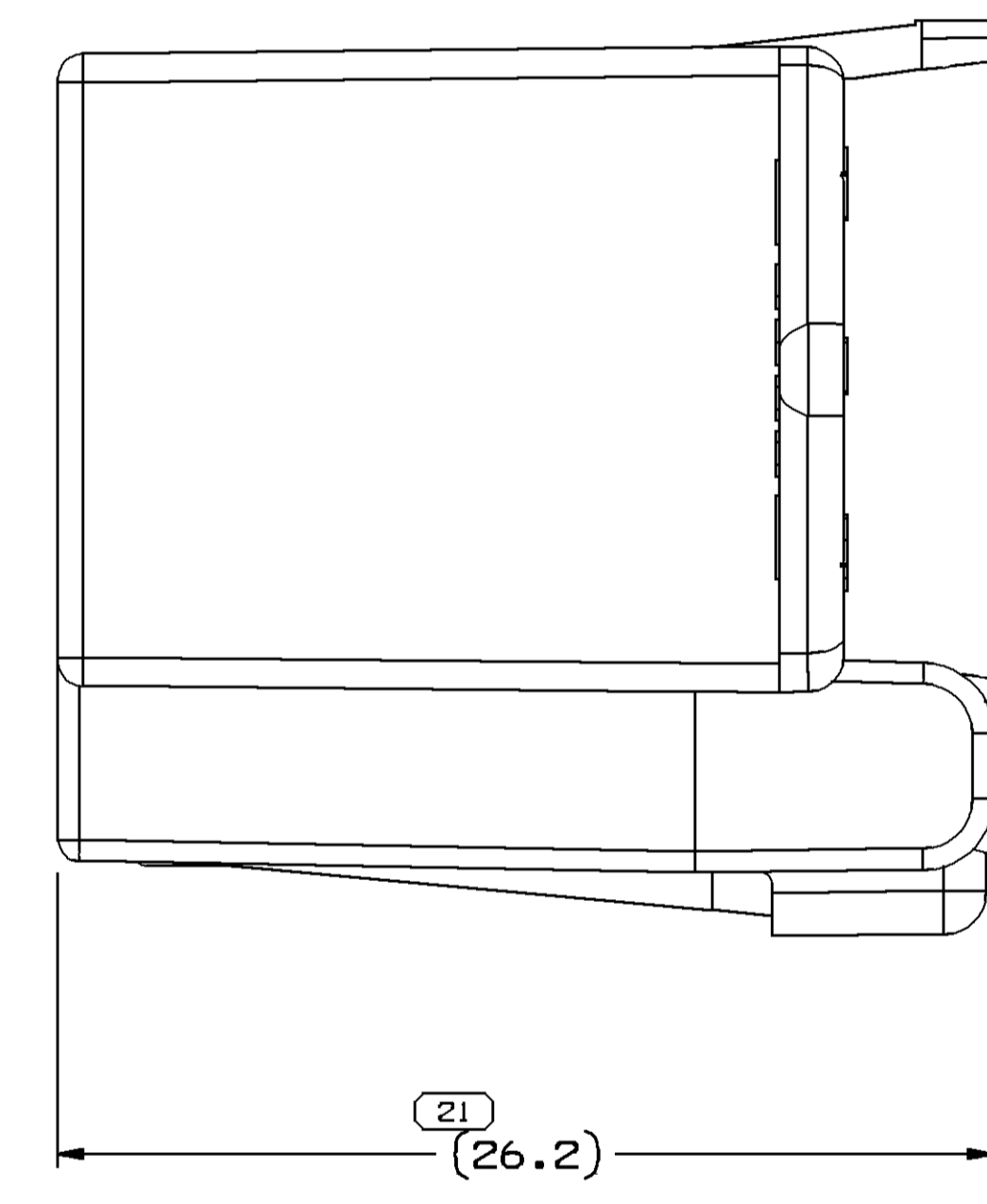
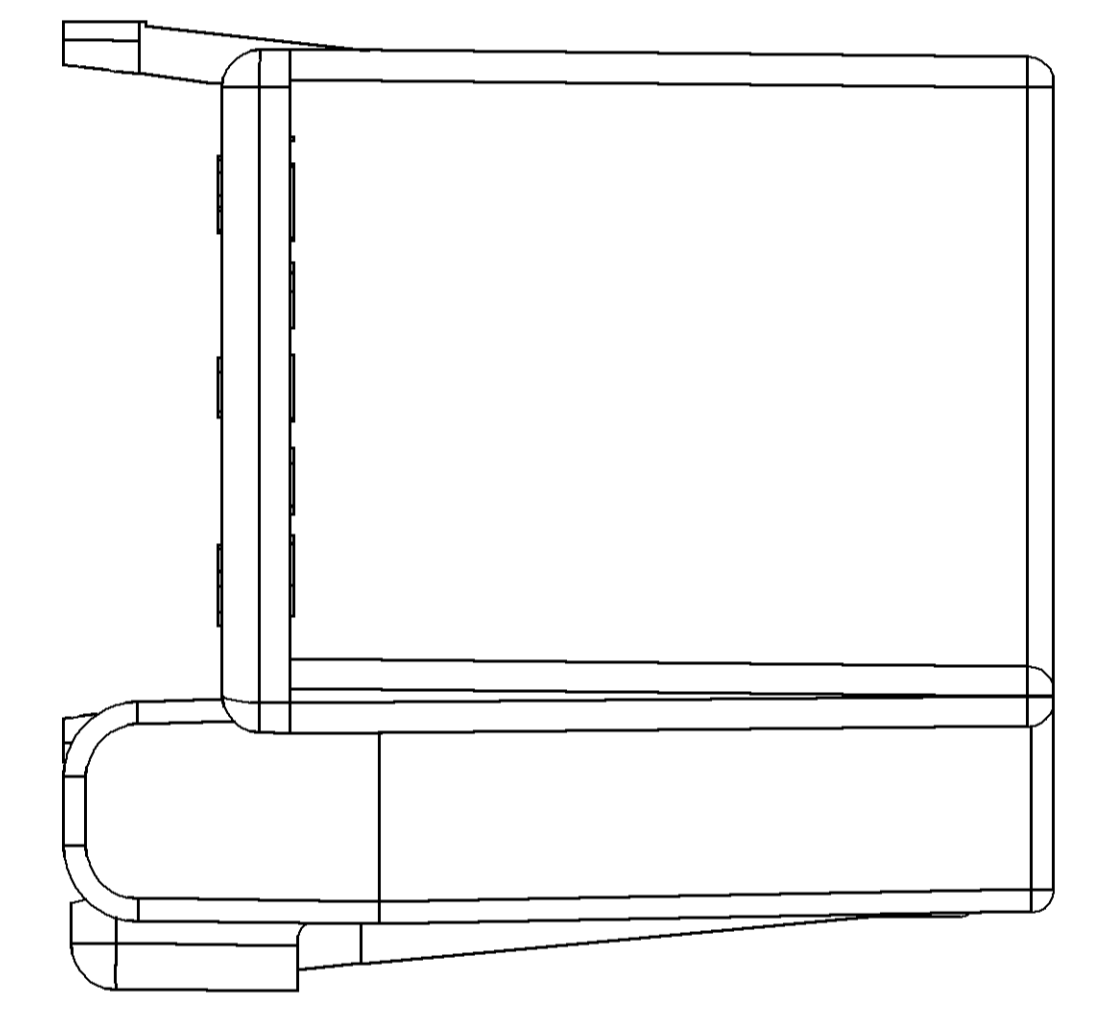
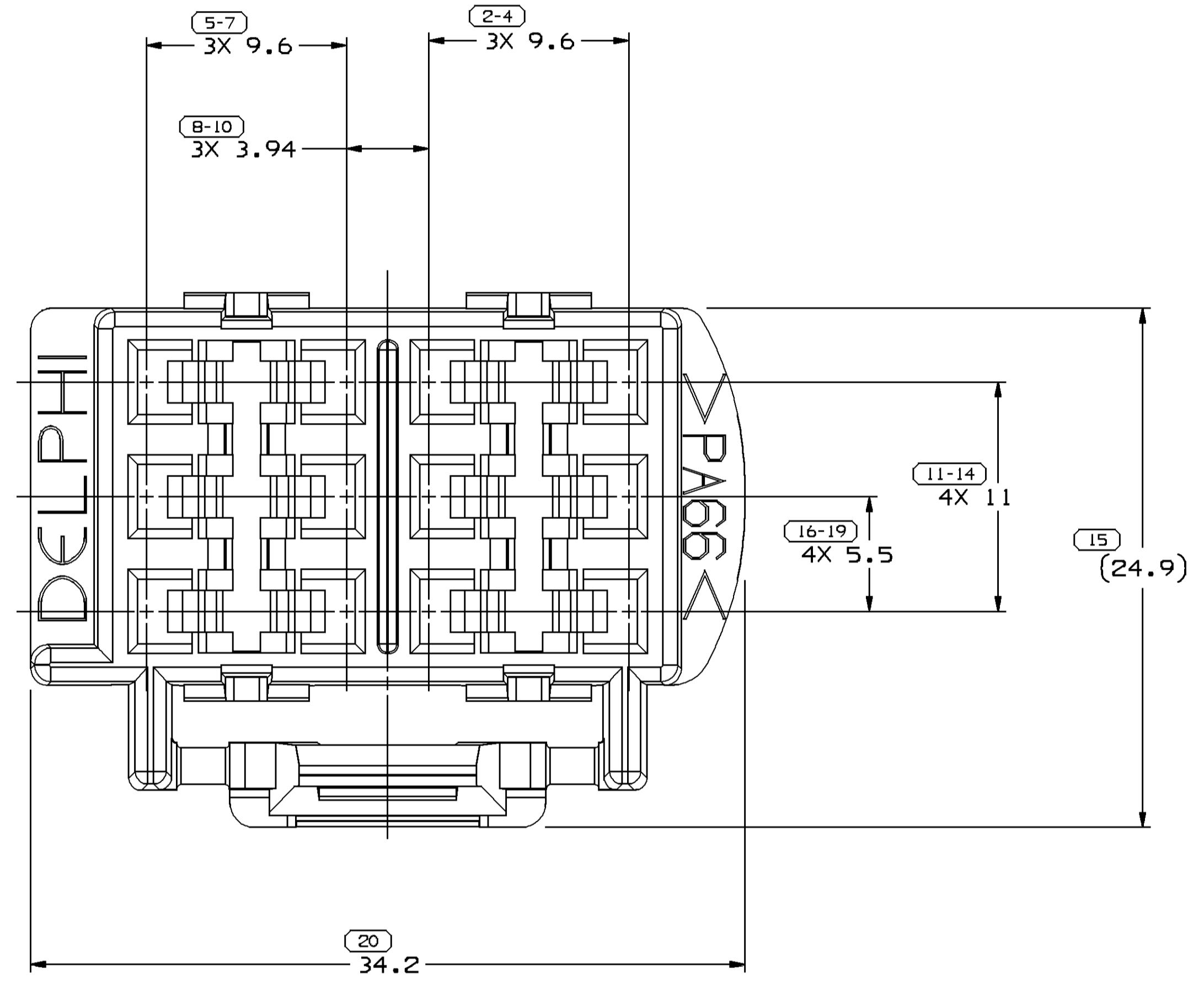
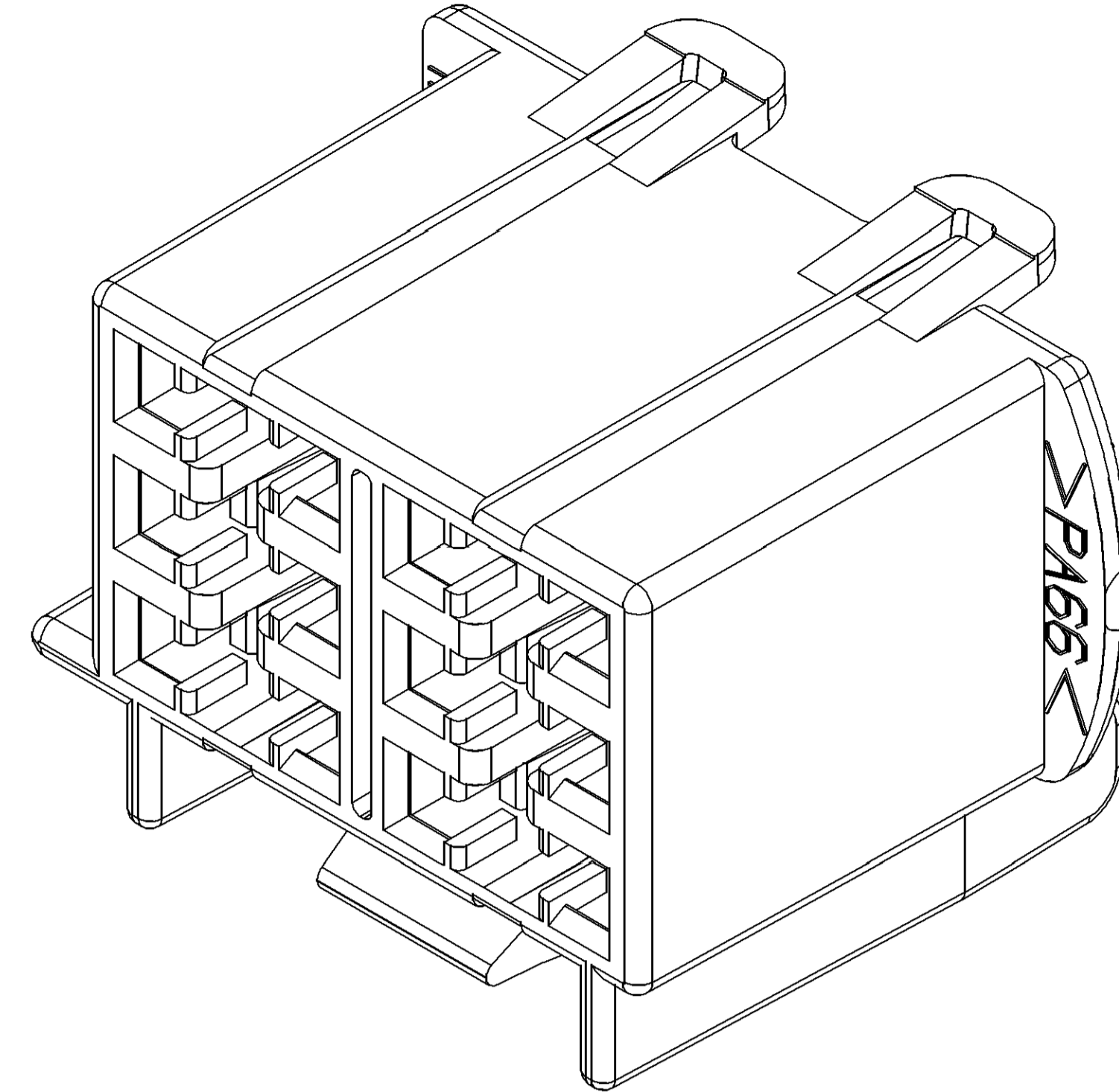
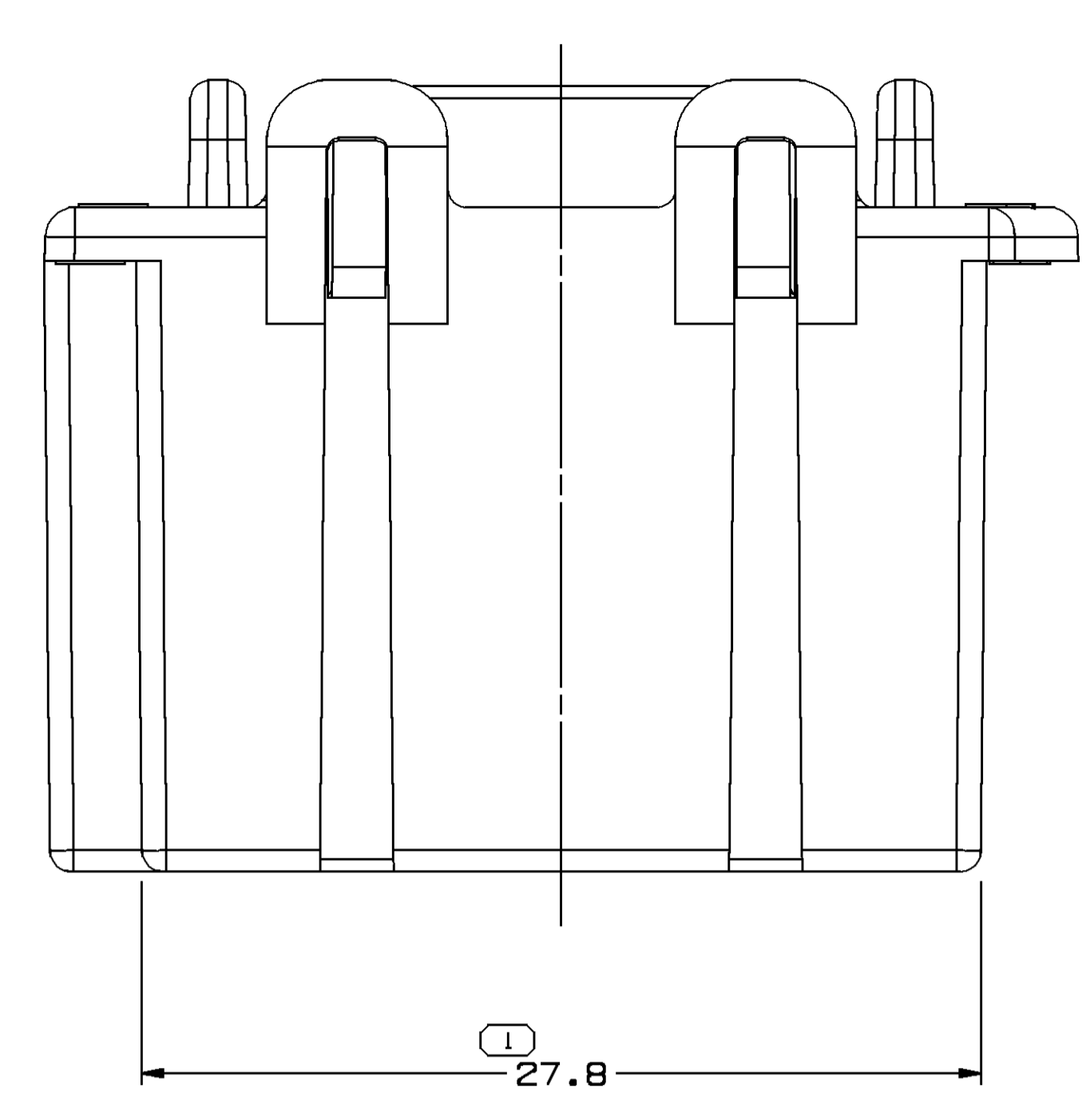


SYMBOL DEFINITION		MISSING NUMBERS		DWG STATUS				REVISION HISTORY		AUTH	DR	AP/VD	AP/VD
THE NUMBER INSIDE THE SYMBOL CORRESPONDS TO THE NUMBER ON THE INSPECTION REPORT FOR THIS DRAWING/PART NUMBER	TOTAL NO. OF SYMBOLS ON DRAWING			DATE	STG	REV	N/P	CHG	ZONE				
	9			07SE99	R	01	-	-		RELEASED	990005	JHH	JHH
	21			23MR07	R	01	AA	-		UPDATED PDM ATTRIBUTES	400940	BLG	JVM



NOTES

- UNLESS OTHERWISE SPECIFIED AND/OR INDICATED:
DIMENSIONS ARE TO FACE OF VIEW SHOWN AND AUTOMATICALLY ROUNDED BY COMPUTER FOR INSPECTION (SEE MATH MODEL FOR PRECISE DIMENSIONS). FOR ALL OTHER DIMENSIONS NOT SHOWN BUT REQUIRED FOR TOOL BUILD, SEE MATH MODEL FOR PRECISE TOOL PATH DATA.
- REFERENCE MATING COMPONENTS OR EQUIVALENT:
CONNECTOR 15326018
TERMINAL 15304711
TERMINAL POSITION ASSURANCE 15326020

PART DRAWING																												
STYLE																												
VOLUME 10/91	DISTR CODE																											
5,834	D																											
UNLESS OTHERWISE SPECIFIED THIS DOCUMENT IS IN ACCORDANCE WITH ASME Y14.5M-1994 AS MODIFIED BY THE IN-SPEC DIMENSIONING AND TOLERANCING ADDENDUM-2001. SEPARATE NOTATIONS OF FEATURES MAY BE BASED SEPARATELY PER RELEASE OF DATUM REFERENCES.																												
ALL DIMENSIONS ARE IN MILLIMETERS																												
REFERENCE																												
<table border="1"> <tr> <th>DIMENSIONAL RANGE (MM)</th> <th>CHDRY</th> <th>E</th> </tr> <tr> <td>FROM 0</td> <td>> 20</td> <td>> 30</td> </tr> <tr> <td>TO 20</td> <td>30</td> <td>70</td> </tr> <tr> <td></td> <td>70</td> <td>100</td> </tr> <tr> <td colspan="3">TOLERANCE UNLESS OTHERWISE SPECIFIED</td> </tr> <tr> <td></td> <td>±0.15</td> <td>±0.2</td> </tr> <tr> <td></td> <td>±0.3</td> <td>±0.4</td> </tr> <tr> <td></td> <td>±0.5</td> <td>±0.5</td> </tr> <tr> <td colspan="3">ANGULAR TOLERANCE 22°</td> </tr> </table>		DIMENSIONAL RANGE (MM)	CHDRY	E	FROM 0	> 20	> 30	TO 20	30	70		70	100	TOLERANCE UNLESS OTHERWISE SPECIFIED				±0.15	±0.2		±0.3	±0.4		±0.5	±0.5	ANGULAR TOLERANCE 22°		
DIMENSIONAL RANGE (MM)	CHDRY	E																										
FROM 0	> 20	> 30																										
TO 20	30	70																										
	70	100																										
TOLERANCE UNLESS OTHERWISE SPECIFIED																												
	±0.15	±0.2																										
	±0.3	±0.4																										
	±0.5	±0.5																										
ANGULAR TOLERANCE 22°																												
THIRD ANGLE PROJECTION	DO NOT SCALE																											
USE MATH DATA	UNIMAPHICS																											

DELPHI
DELPHI PACKARD ELECTRICAL/ELECTRONIC ARCHITECTURE
NAPER, OH

DR	DATE
APV01 JOHN HAPGOOD	07SE99
APV02 JOHN HAPGOOD	07SE99
APV03 M. CULP	07SE99
APV04	
APV05	

SUBSTANCES OF CONCERN AND RECYCLED CONTENT PER DELPHI 10947001

MATERIAL W3592025 P166 HS 1M GRA MD

DRAWING NAME
CONN 12 F GT 280 GRA MD

DRAWING NUMBER
15355586

SIZE	SCALE	FRAME NO	SHEET NO	STG	REV	N/P
A0	5:1	1	1	1	R	01

Date: 11-Apr-07 Time: 22:55