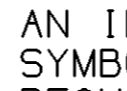
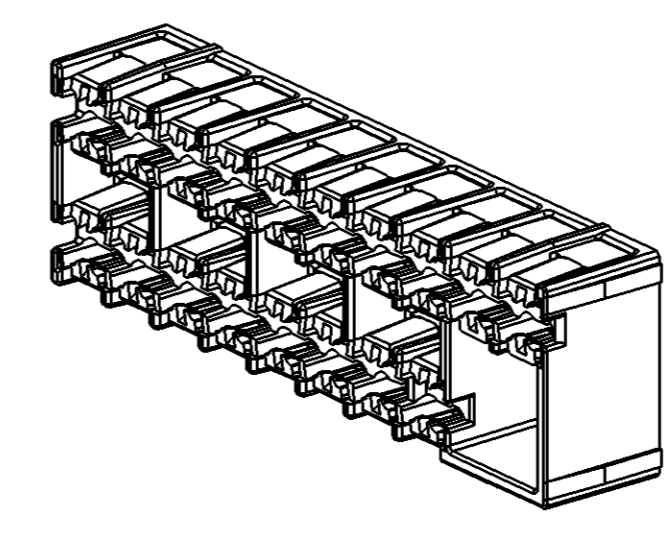
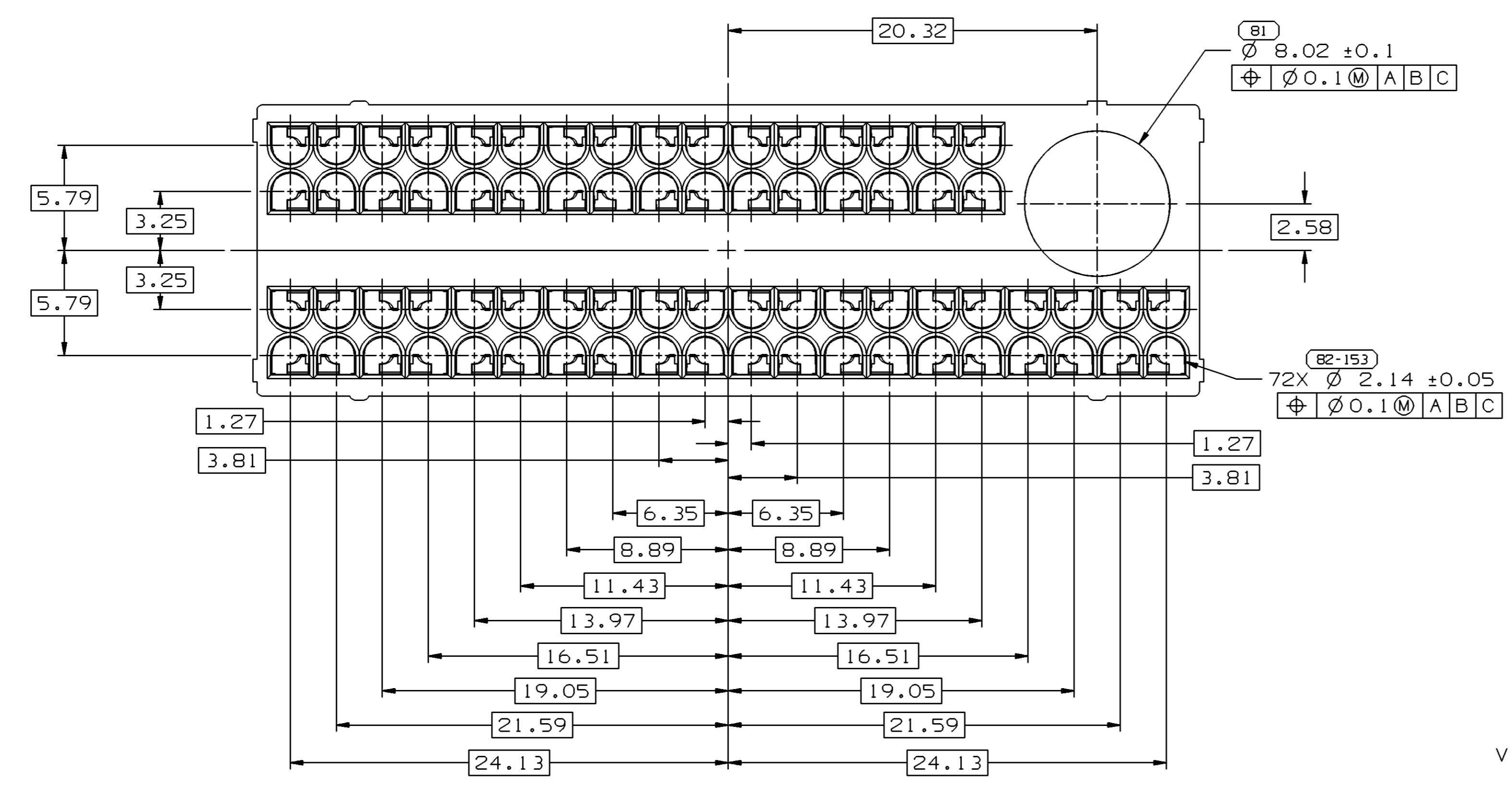
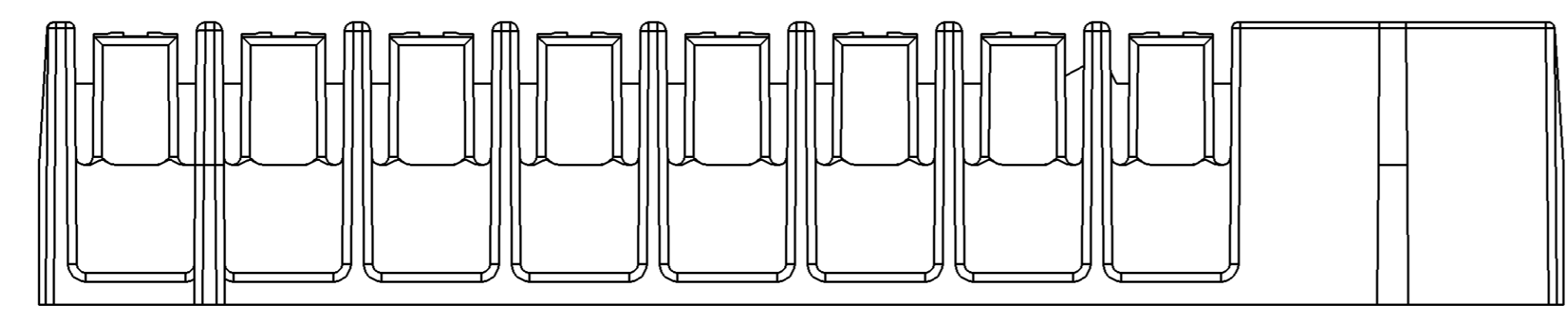
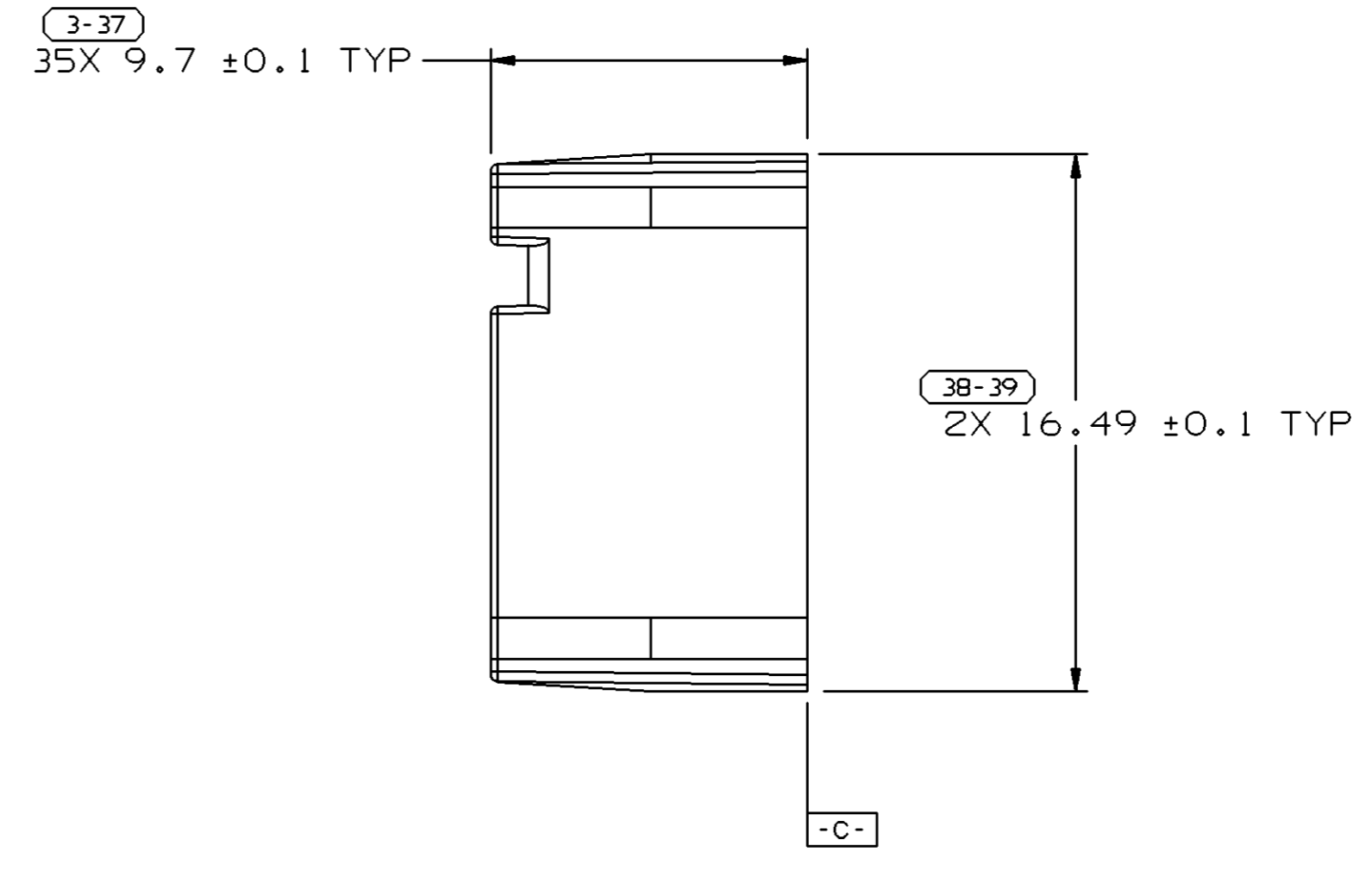
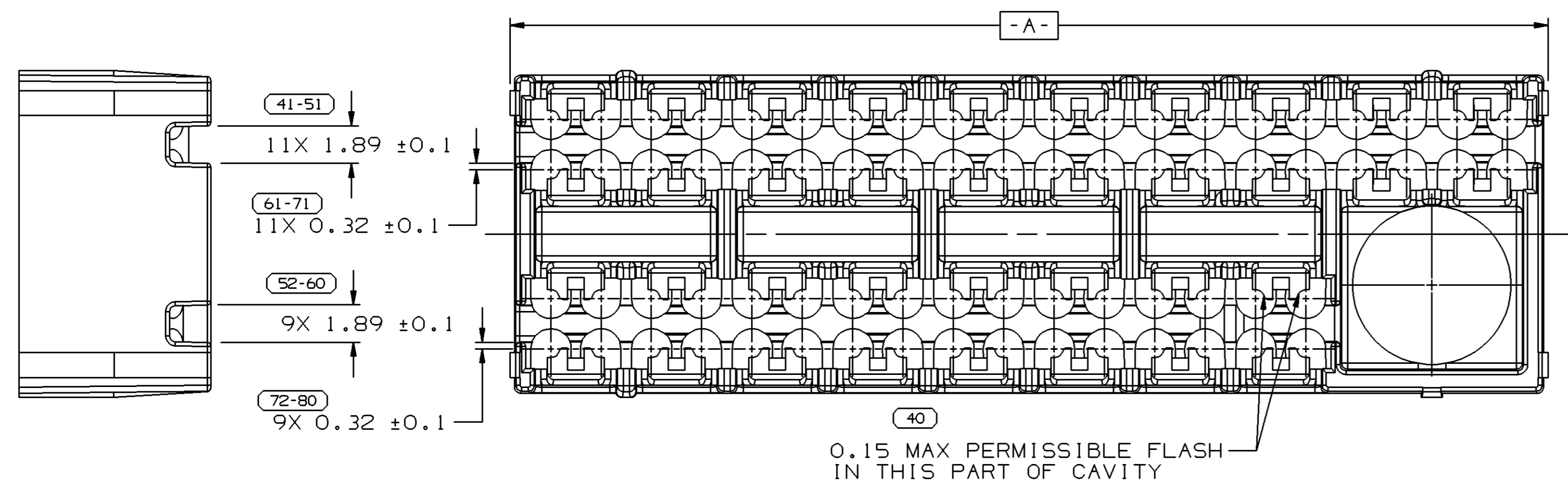
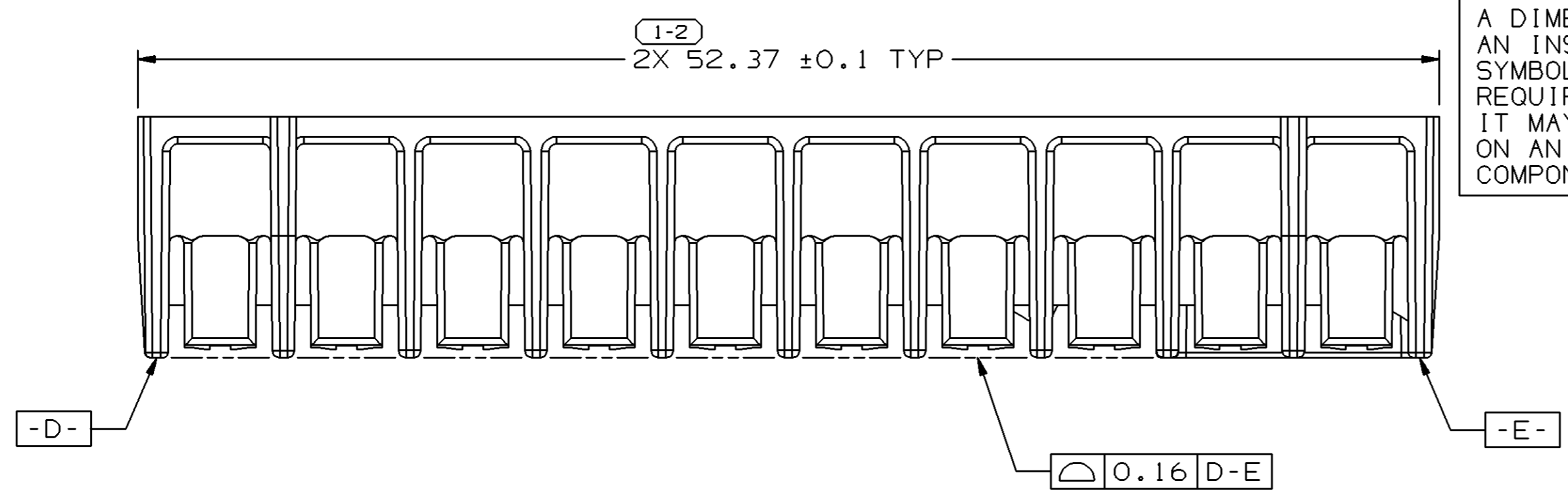


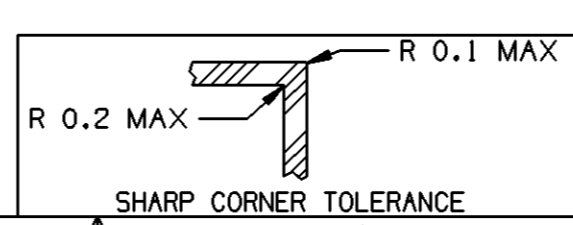
SYMBOL DEFINITION		MISSING NUMBERS	
A DIMENSION WITHOUT AN INSPECTION REPORT SYMBOL  DOES NOT REQUIRE INSPECTION. IT MAY BE CONTROLLED ON AN INDIVIDUAL COMPONENT DRAWING.	TOTAL NO. OF SYMBOLS ON DRAWING	10	
	LAST NO. USED	153	

DWG STATUS					ZONE	REVISION HISTORY	AUTH	DR	APVD1	APVD2
DATE	STG	REV	N/P	CHG						
28SE99	R	001	-	-		RELEASED, WAS PE070974	000005	TW	TW	KTL
15MY00	R	002	-	-		UPDATED LOCK ARM FEATURES; ADDED RADIUS TO SECONDARY LOCK CHANNELS				
200C00	R	002	AA	-		ADDED DIMENSIONS TO PD	201460	TKO	TKO	KTL
07MR01	R	003	-	-		REVISED LOCK ARM AND CAVITIES	207365	JEB	JEB	KL
02AU01	R	003	AA	-		EDITED DIM #40, #375-382, #466-469, #606 #736, #737 & PROFILE DIM. REVISED DRAWING NAME	212756	JMR	JMR	SMM
08AU01	R	003	AB	-		CHANGED DIM #40 FROM 0.08 TO 0.15	213001	JMR	JMR	SMM
17JN03	R	03	AC	-		REVISED DIM 82-153 WAS 1.99 ±0.05	242631	RH	RH	JN



VIEW SCALE DOES NOT REFLECT ACTUAL PART SIZE

- NOTES
- UNLESS OTHERWISE SPECIFIED AND/OR INDICATED: DIMENSIONS ARE TO FACE OF VIEW SHOWN AND AUTOMATICALLY ROUNDED BY COMPUTER FOR INSPECTION. (SEE MATH MODEL FOR PRECISE DIMENSIONS.) FOR ALL OTHER DIMENSIONS NOT SHOWN BUT REQUIRED FOR TOOL BUILD, SEE MATH MODEL FOR PRECISE TOOL PATH DATA.
 - MATING COMPONENTS OR EQUIVALENT: CONNECTOR HOUSING 15357133



DIMENSIONAL RANGE (MM)		CHART E1	
FROM	TO	TOLERANCE UNLESS OTHERWISE SPECIFIED	ANGULAR TOLERANCE ±2°
> 0	> 20	±0.15	±1
> 20	> 30	±0.2	±1
> 30	> 70	±0.3	±1
> 70	> 100	±0.4	±1
> 100	> 150	±0.5	±1
> 150	> 200	±0.6	±1
> 200	> 250	±0.8	±1
> 250	> 300	±1	±1.2
> 300	> 400	±1.2	±1.2

DWG TYPE		PART DRAWING	
STYLE		DISTR CODE	D
VOLUME (CM³)	3.247		
ROUTING	6901		
UNLESS OTHERWISE SPECIFIED			
THIS DOCUMENT IS IN ACCORDANCE WITH ASME Y14.5M-1994 AS AMENDED BY THE GM GLOBAL DIMENSIONING AND TOLERANCING ADDENDUM - 1997. ALL GEOMETRIC TOLERANCES AND RELATED DATUMS APPLY RFS. RULE #1 PERFECT FORM AT MMC DOES NOT APPLY WHEN RELATIONSHIP BETWEEN FEATURES IS ESTABLISHED BY ORIENTATION OR LOCATION TOLERANCES. SEPARATE POSITION CALLOUTS MAY BE GAGED SEPARATELY, REGARDLESS OF DATUM REFERENCE. ALL DIMENSIONS ARE IN MILLIMETERS			
REFERENCE			
THIRD ANGLE PROJECTION	DO NOT SCALE	UNIGRAPHICS	
	USE MATH DATA		

DELPHI		DELPHI PACKARD ELECTRIC SYSTEMS		WARREN, OH	
DR		DATE			
APVD1	T. WARD	03AP00			
APVD2	T. WARD	03AP00			
APVD3	K. LISOWSKI	05AP00			
APVD4					
APVD5					
SUBSTANCES OF CONCERN AND RECYCLED CONTENT PER DELPHI 10949001					
MATERIAL M002265-001 PBT - NATURAL					
DRAWING NAME					
CONN 72F MICRO 064					
DRAWING NUMBER					
15357134					
SIZE	SCALE	FRAME NO	SHEET NO	STG	REV N/P
A1	5:1	1 OF 1	1 OF 1	R	03 AC