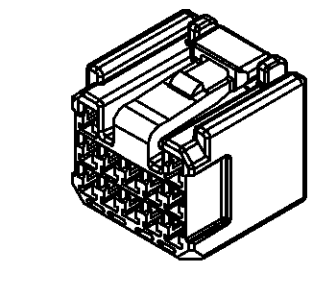
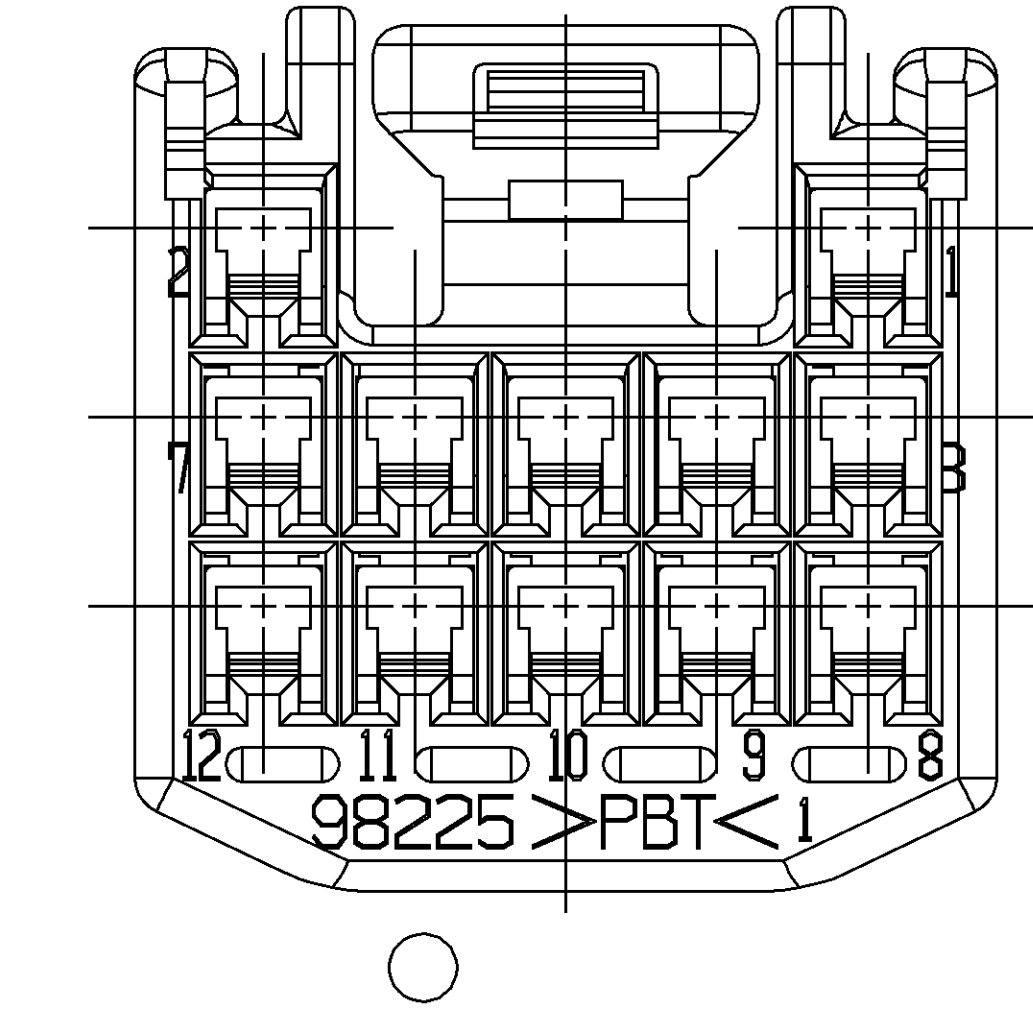
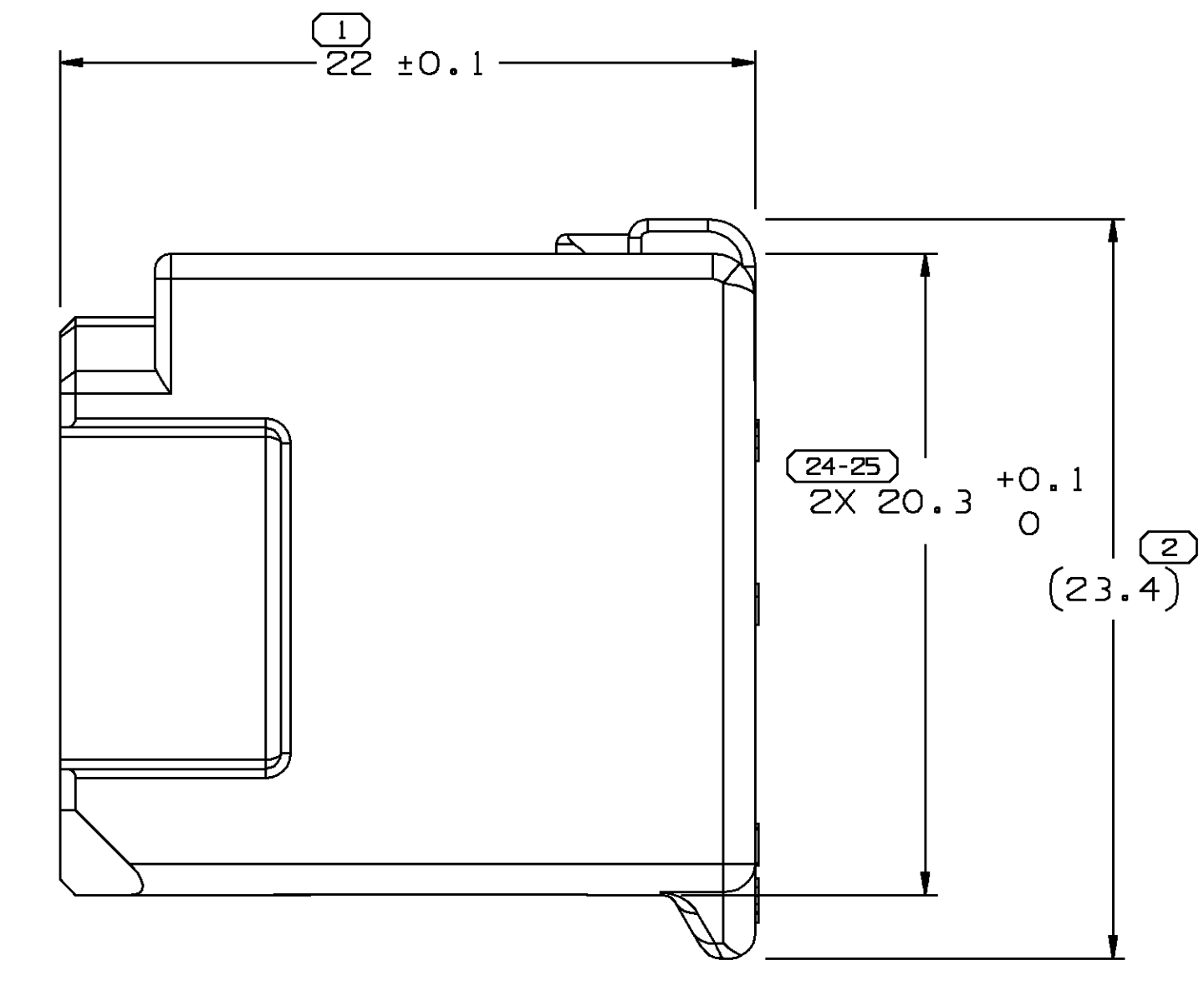
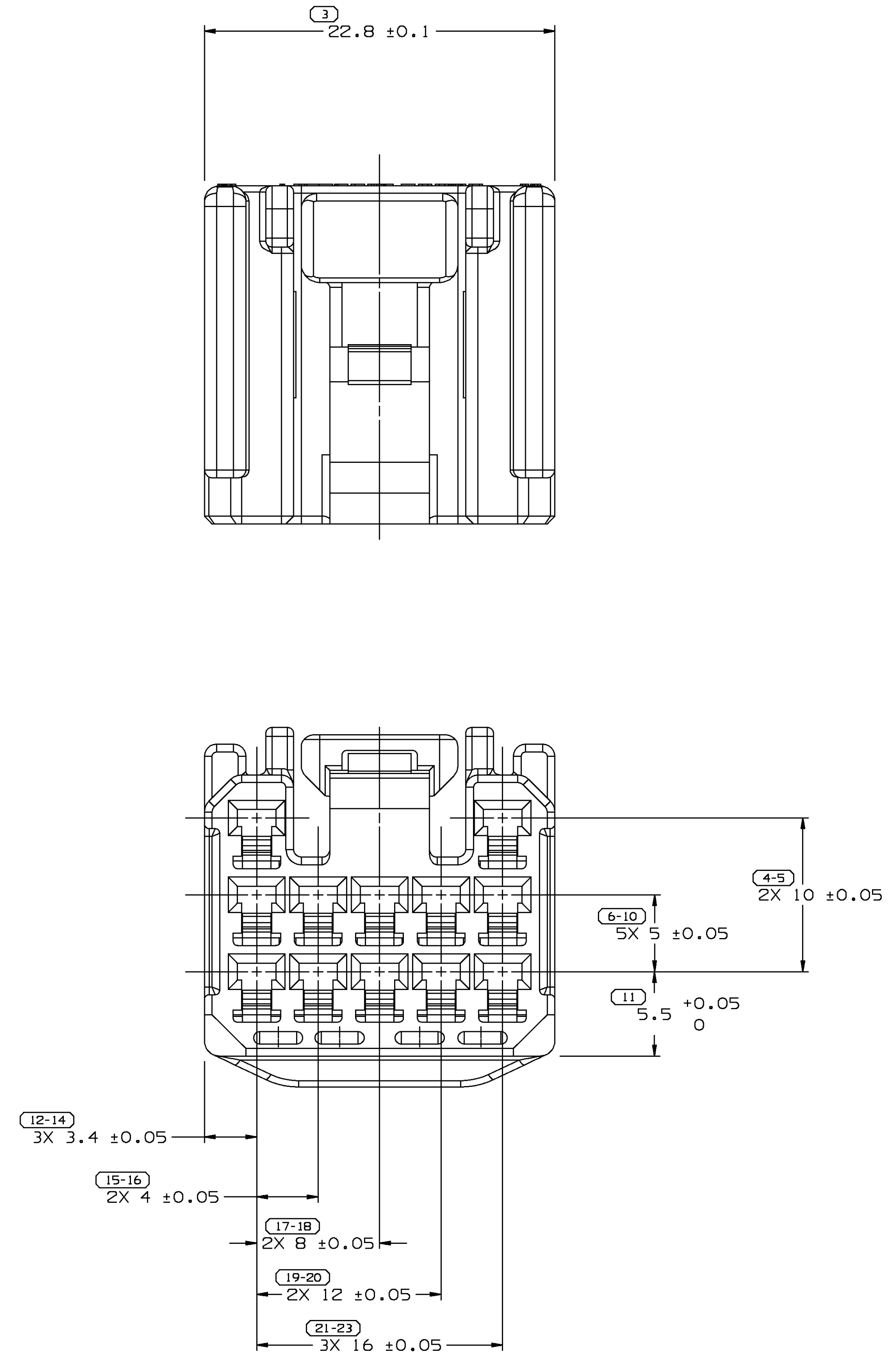


SYMBOL DEFINITION		MISSING NUMBERS		DWG STATUS			REVISION HISTORY			AUTH	DR	CK	APVD
THE NUMBER INSIDE THE SYMBOL CORRESPONDS TO THE NUMBER ON THE INSPECTION REPORT FOR THIS DRAWING/PART NUMBER	TOTAL NO. OF SYMBOLS ON DRAWING	LAST NO. USED		DATE	STG	REV	CHG	N/P	ZONE				
	12			16FE99	R	001	-	-					192380
	25			31MR99	R	002	-	-					193730



- NOTES**
- UNLESS OTHERWISE SPECIFIED AND/OR INDICATED: DIMENSIONS ARE TO FACE OF VIEW SHOWN AND AUTOMATICALLY ROUNDED BY COMPUTER FOR INSPECTION. (SEE MATH MODEL FOR PRECISE DIMENSIONS.) FOR ALL OTHER DIMENSIONS NOT SHOWN BUT REQUIRED FOR TOOL BUILD, SEE MATH MODEL FOR PRECISE TOOL PATH DATA.
  - MATING COMPONENTS OR EQUIVALENT: CONNECTOR 15337283 OR EQUIVALENT TPA 15337286 OR EQUIVALENT CAVITIES TO ACCEPT 09011
  - THIS PART IS NOT CONTROLLED FOR AUTOMATIC FEEDING
  - PART SHOULD CONFORM TO TSC 1000G/TSC 1225G

PART NO	STG	REV	N/P	STATUS	MATERIAL SPECIFICATION AND COLOR	VOLUME
15369286	R	002	--		R0100108 PBT-BLK	4.120
15337285	R	002	--		R0100185 PBT-NAT	4.120

THE DIMENSION NUMBER(S) SHOWN BELOW INDICATE DIMENSIONS THAT ARE PROCESS SENSITIVE FOR PART PRODUCTION

(1) (3) (24-25)

DIMENSIONS ENCLOSED IN ( ) INDICATE REFERENCE DIMENSIONS AND NO TOLERANCE LIMITS ARE ESTABLISHED

**DELPHI**  
Automotive Systems

THIS DRAWING AND/OR ELECTRONIC FILE, IS NOT A PROPRIETARY DESIGN OF DELPHI PACKARD ELECTRIC SYSTEMS

MATERIAL SPEC SEE CHART	DIMENSIONAL RANGE (MM) CHART E	PART DRAWING	
	FROM 0 TO 10 TO 10 TO 50 TOLERANCE UNLESS OTHERWISE SPECIFIED 11.8 (151 ± 0.2) ANGULAR TOLERANCE ± 2° DISTR CODE	CODE NUMBER 6900	DWG DATE 18DE98
		GC SPEC	SCALE 5:1
			VOLUME cm³ SEE CHRT
PART GEOMETRY 3D SOLID	UNLESS OTHERWISE SPECIFIED: PERFECT FORM REQUIRED FOR FEATURES OF SIZE AT MMC. TRUE POSITION TOLERANCES AND RELATED DATUMS APPLY AT CONDITION OF SIZE INDICATED IN FEATURE CONTROL FRAME. ALL OTHER GEOMETRIC TOLERANCES AND RELATED DATUMS APPLY RFS. SEPARATE TRUE POSITION CALLOUTS MAY BE GAGED SEPARATELY, REGARDLESS OF DATUM REFERENCE.	REFERENCE 001,701	DR APVD1 R. GUERRERO 18DE98 APVD2 MANUEL VEGA 18DE98 APVD3 G. CHEN 13JA99 APVD4 APVD5
COPY OF MATH DATA DO NOT SCALE			DATE
METRIC UNLESS OTHERWISE SPECIFIED, ALL DIMENSIONS ARE IN MILLIMETERS			
THIRD ANGLE PROJECTION			
		DRAWING NAME TAX1 CONN 12F 09011	
SHEET NUMBER 1 OF 1	DRAWING NUMBER 1536 9288	DWG STATUS R 002	SIZE A0