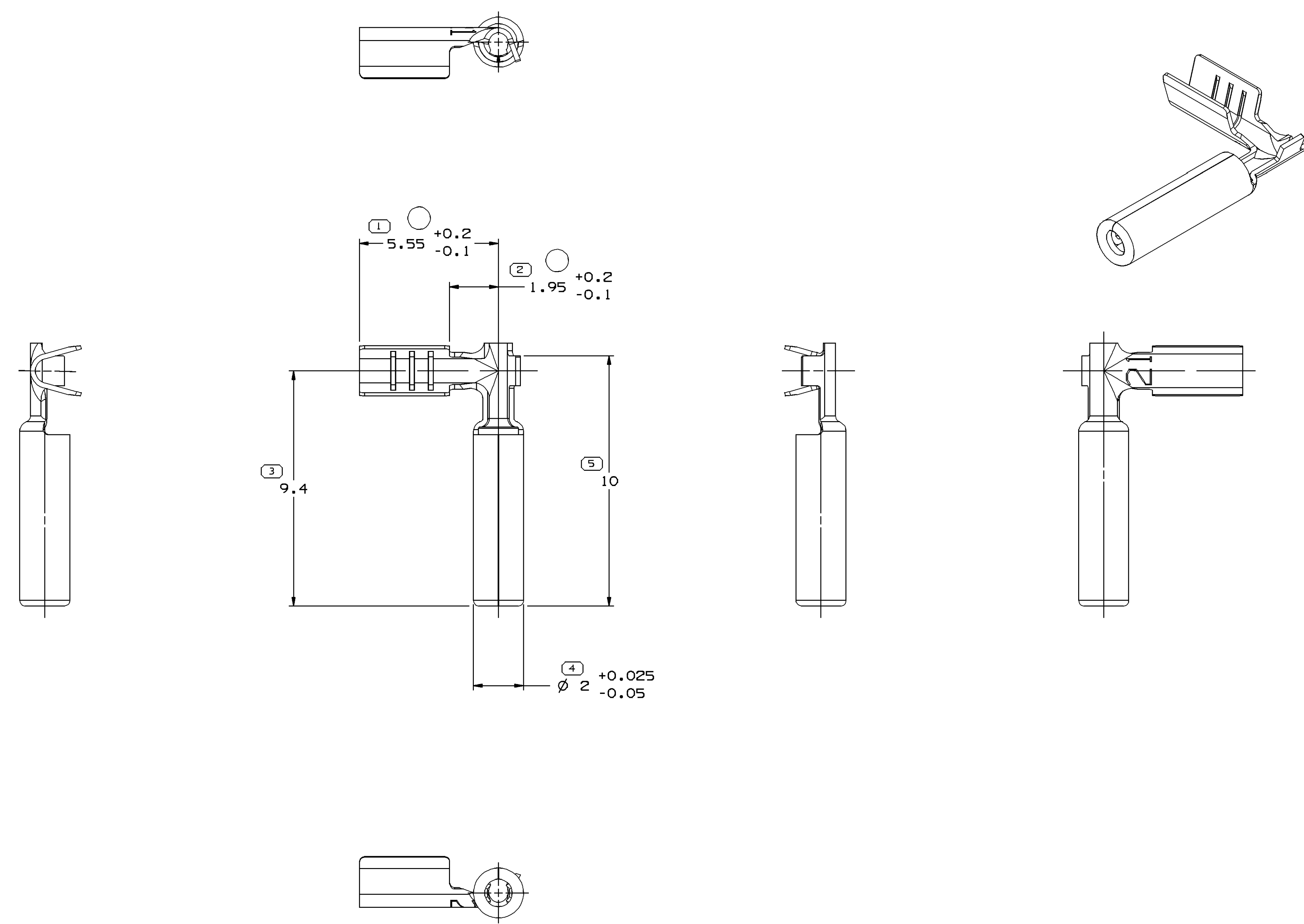


SYMBOL DEFINITION	SYMBOL DEFINITION	MISSING SYMBOLS
A DIMENSION WITHOUT AN INSPECTION REPORT SYMBOL () DOES NOT REQUIRE INSPECTION. IT MAY BE CONTROLLED ON THE INDIVIDUAL COMPONENT DRAWING.	TOTAL NO OF INSPECTIONS REQUIRED	NO MISSING SYMBOL NUMBER
	5	
	LAST NO. USED	
	5	

DWG STATUS					ZONE	REVISION HISTORY			AUTH	DR	APVD1	APVD2
DATE	STG	REV	N/P	CHG								
060C99	R	001	-	-		RELEASED			990005	END	END	MF
020C00	R	001	AA	-		5.7 WAS 5.6, 2.1 WAS 2, MAT'L SPEC WAS PM003661 AND ADDED DIM			203485	EVV	GGI	MF
03JA01	R	001	AB	-		UPDATED PDM ATTRIBUTES			205224	MAC	MAC	MEF
01JN06	R	02	-	-		REVISED TRANSITION AREA, 5.55 WAS 5.7, 1.95 WAS 2.1			281038	CJP	CJP	MEF
21JN06	R	02	AA	-		UPDATED PDM ATTRIBUTES			282831	MM	MM	MEF
11MY07	R	02	AB	-		TOLERANCE FOR DIMS #1 & #2 WAS +/-0.1			401378	GE	GE	MEF



NOTES

1. UNLESS OTHERWISE SPECIFIED AND/OR INDICATED: DIMENSIONS ARE TO FACE OF VIEW SHOWN AND AUTOMATICALLY ROUNDED BY COMPUTER FOR INSPECTION (SEE MATH MODEL FOR PRECISE DIMENSIONS). FOR ALL OTHER DIMENSIONS NOT SHOWN BUT REQUIRED FOR TOOL BUILD, SEE MATH MODEL FOR PRECISE TOOL PATH DATA.

5 PROCESS SENSITIVE DIMENSION	
DIMENSIONS ENCLOSED IN () INDICATE REFERENCE DIMENSIONS AND NO TOLERANCE LIMITS ARE ESTABLISHED	
DIMENSIONAL RANGE (MM)	CHART D
FROM 0	> 12
TO 12	
TOLERANCE UNLESS OTHERWISE SPECIFIED	
±0.1	±0.2
ANGULAR TOLERANCE ±2°	

DWG TYPE PART DRAWING	
STYLE	
VOLUME (CPI)	DISTR CODE D
UNLESS OTHERWISE SPECIFIED THIS DOCUMENT IS IN ACCORDANCE WITH ASME Y14.5M-1994 AS AMENDED BY THE GM GLOBAL DIMENSIONING AND TOLERANCING ADDENDUM-2001. SEPARATE PATTERNS OF FEATURES MAY BE GAGED SEPARATELY REGARDLESS OF DATUM REFERENCES.	
ALL DIMENSIONS ARE IN MILLIMETERS	
REFERENCE	001,701
THIRD ANGLE PROJECTION	DO NOT SCALE
USE MATH DATA	

DELPHI
DELPHI PACKARD ELECTRICAL/ELECTRONIC ARCHITECTURE
WARREN, OH

DR	DATE
APVD1 E. NEAL DUNHAM	060C99
APVD2 E. NEAL DUNHAM	060C99
APVD3 M. FRANCIS	060C99
APVD4	
APVD5	

SUBSTANCES OF CONCERN AND RECYCLED CONTENT PER DELPHI 10949001

MATERIAL
M3696 GN2

DRAWING NAME
TERM F MIC/P 100W AU

DRAWING NUMBER
15373434

SIZE	SCALE	FRAME NO	SHEET NO	STG	REV	N/P
A1	10:1	1 OF 1	1 OF 1	R	02	AB