
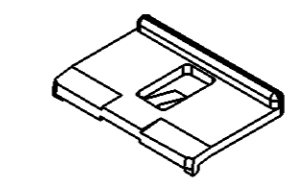
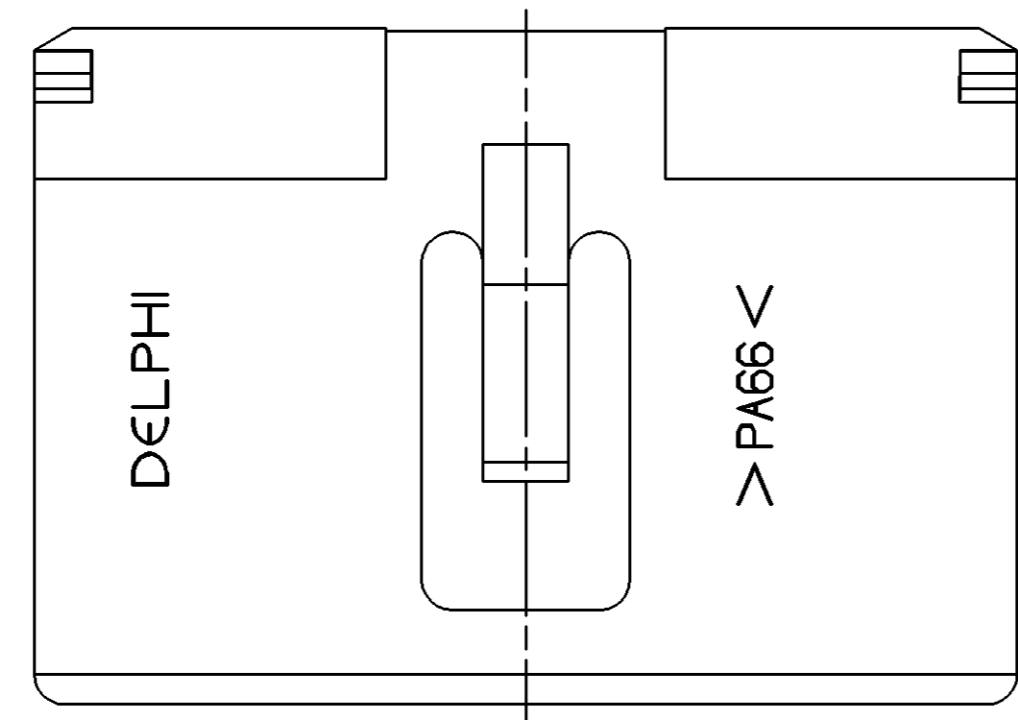
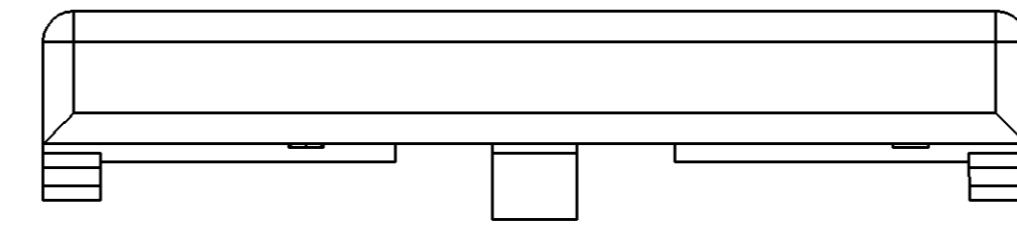
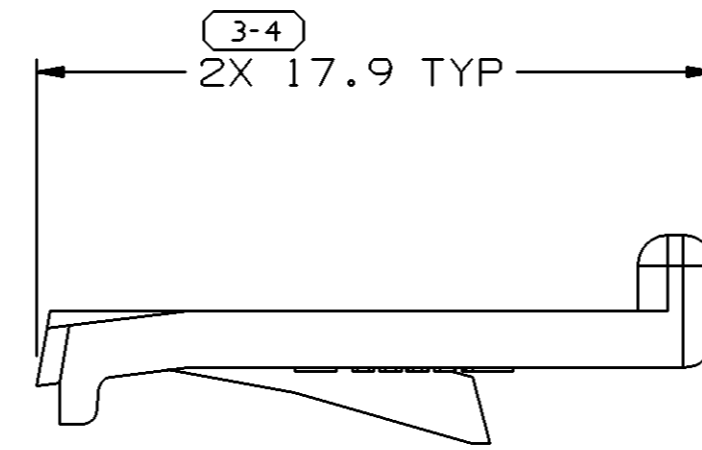
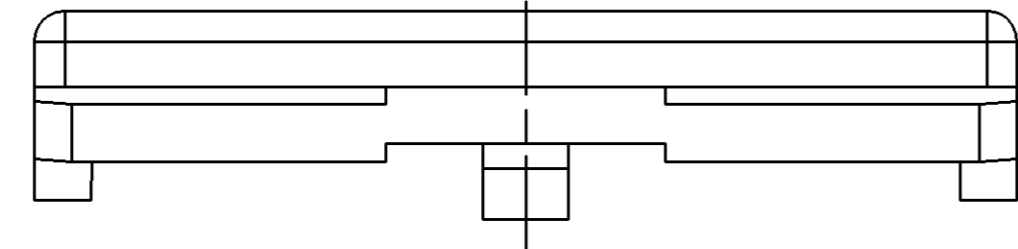
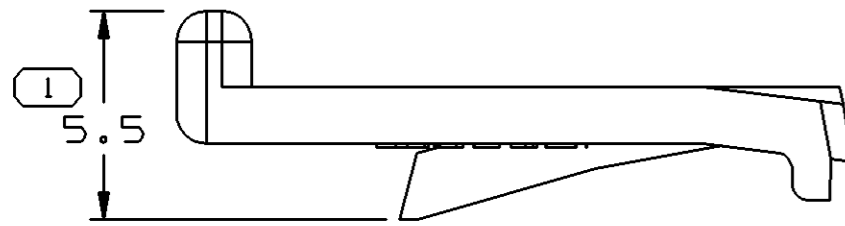
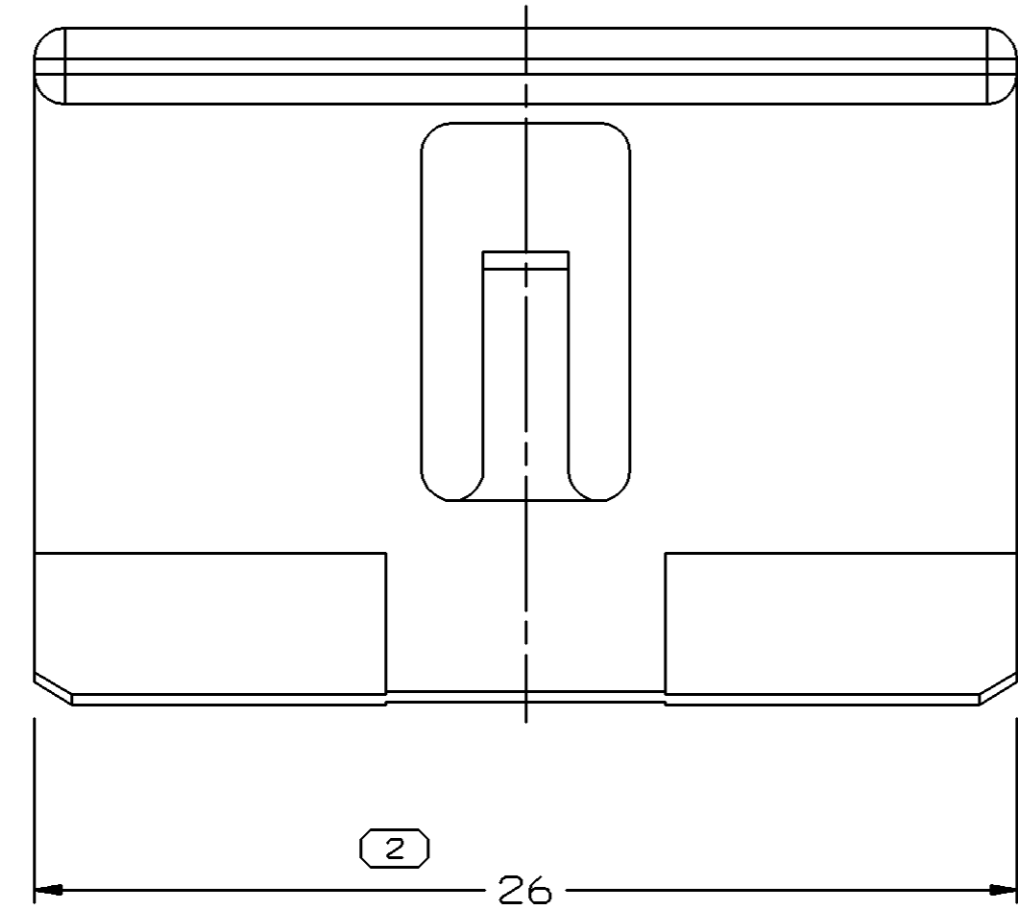


SYMBOL DEFINITION		MISSING NUMBERS	
A DIMENSION WITHOUT AN INSPECTION REPORT SYMBOL  DOES NOT REQUIRE INSPECTION. IT MAY BE CONTROLLED ON AN INDIVIDUAL COMPONENT DRAWING.	TOTAL NO. OF SYMBOLS ON DRAWING	3	
	LAST NO. USED	4	

DWG STATUS					ZONE	REVISION HISTORY	AUTH	DR	APVD 1	APVD 2
DATE	STG	REV	N/P	CHG						
10MY00	R	01	-	-		PART DRAWING CREATED	000005	ALS	ALS	BTB
09AP01	R	02	-	-		ADDED FLAT TO LOCK, MOVED ID SYMBOLS AND ADDED NOTE 5	208962	AKJ	AKJ	BL
100C01	R	03	-	-		REVISED TANG WIDTH FROM 3.5	215797	END	END	RSL
110C04	R	03	AA	-		MATERIAL WAS R0071790, REVISED NOTES	260054	CJP	CJP	EST
11N004	R	04	-	-		REVISED STOP TO LOCK DIMENSION, PER CDR#2663	261256	RH	RH	MR



NOTES

- UNLESS OTHERWISE SPECIFIED AND/OR INDICATED: DIMENSIONS ARE TO FACE OF VIEW SHOWN AND AUTOMATICALLY ROUNDED BY COMPUTER FOR INSPECTION. (SEE MATH MODEL FOR PRECISE DIMENSIONS.) FOR ALL OTHER DIMENSIONS NOT SHOWN BUT REQUIRED FOR TOOL BUILD, SEE MATH MODEL FOR PRECISE TOOL PATH DATA.
- THIS PART IS NOT CONTROLLED FOR AUTOMATIC FEEDING.
- MATING COMPONENTS OR EQUIVALENT: CONNECTOR 15393168
- MATERIAL RECYCLING CODE PER ISO 11469. (0.92)X(0.1) CHARACTERS AS SHOWN TO BE LOCATED ON ANY EXTERIOR SURFACE.
- (0.92)X(0.1) DELPHI CORPORATE BRAND TO BE LOCATED ON ANY EXTERIOR SURFACE, PREFERABLY VISIBLE AT FINAL ASSEMBLY. OPTIONAL CONSTRUCTION TO BE "PED".

DWG TYPE PART DRAWING	
STYLE	
VOLUME (CM³) 0.731	DISTR CODE D
UNLESS OTHERWISE SPECIFIED THIS DOCUMENT IS IN ACCORDANCE WITH ASME Y14.5M-1994 AS AMENDED BY THE GM GLOBAL DIMENSIONING AND TOLERANCING ADDENDUM-2001. SEPARATE PATTERNS OF FEATURES MAY BE GAGED SEPARATELY REGARDLESS OF DATUM REFERENCES.	
ALL DIMENSIONS ARE IN MILLIMETERS	
THIRD ANGLE PROJECTION	
DO NOT SCALE	
USE MATH DATA	

DELPHI	
DELPHI PACKARD ELECTRIC SYSTEMS WARREN, OH	
DR	DATE
APVD1 A. SOLINSKI	10MY00
APVD2 A. SOLINSKI	10MY00
APVD3 B. BICKERTON	12MY00
APVD4	
APVD5	
SUBSTANCES OF CONCERN AND RECYCLED CONTENT PER DELPHI 10949001	
MATERIAL M3592008 PA66 HS IM BLU	
DRAWING NAME LOCK TPA M/P 800 2 BLU	
DRAWING NUMBER 15393174	
SIZE A1	SCALE 5:1
FRAME NO 1 OF 1	SHEET NO 1 OF 1
STG R	REV 04
N/P -	

DIMENSIONAL RANGE (MM)		CHART E1	
FROM	TO	>20	>300
>0	>20	±0.15	±0.2
>20	>30	±0.2	±0.3
>30	>70	±0.3	±0.4
>70	>100	±0.4	±0.5
>100	>150	±0.5	±0.6
>150	>200	±0.6	±0.8
>200	>250	±0.8	±1
>250	>300	±1	±1.2
TOLERANCE UNLESS OTHERWISE SPECIFIED			
ANGULAR TOLERANCE ±2°			