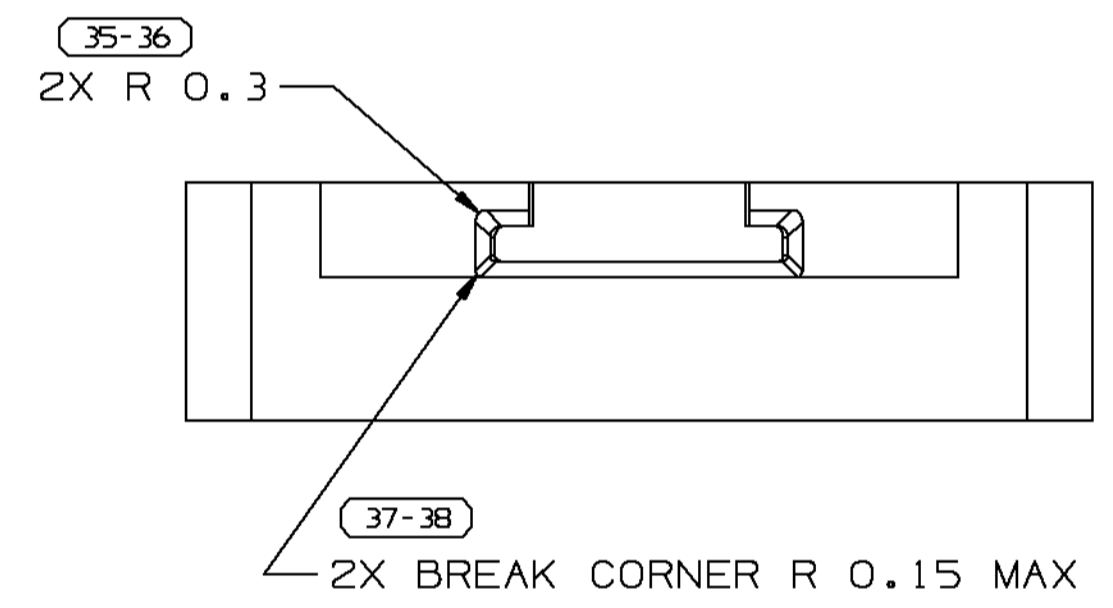
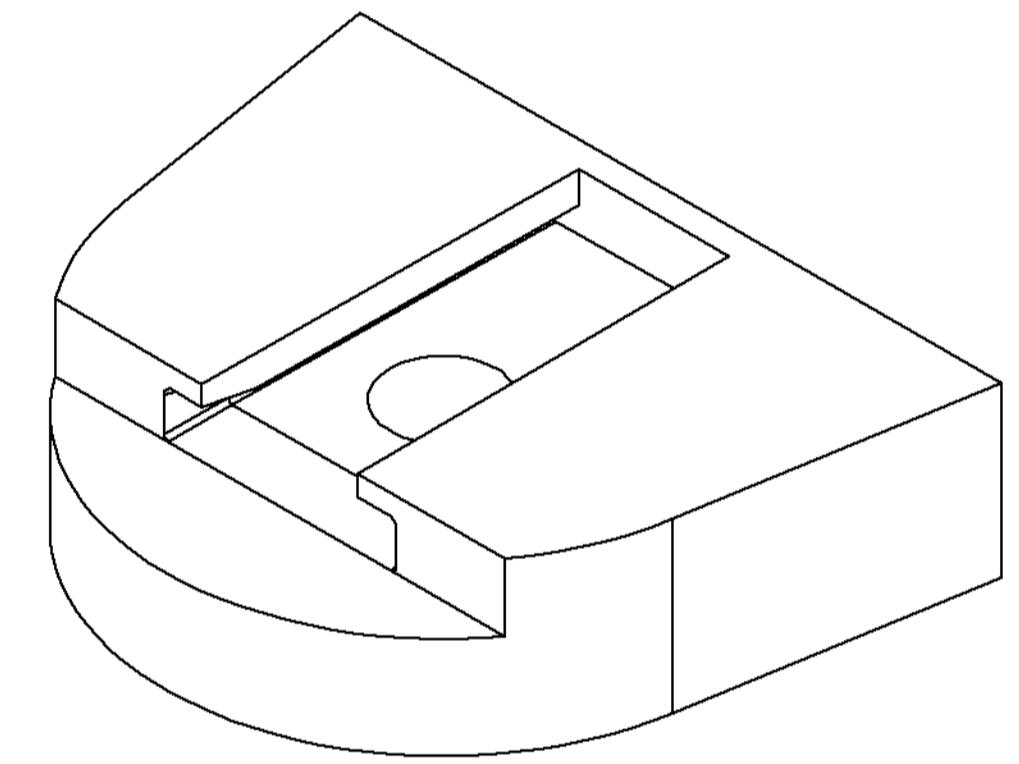
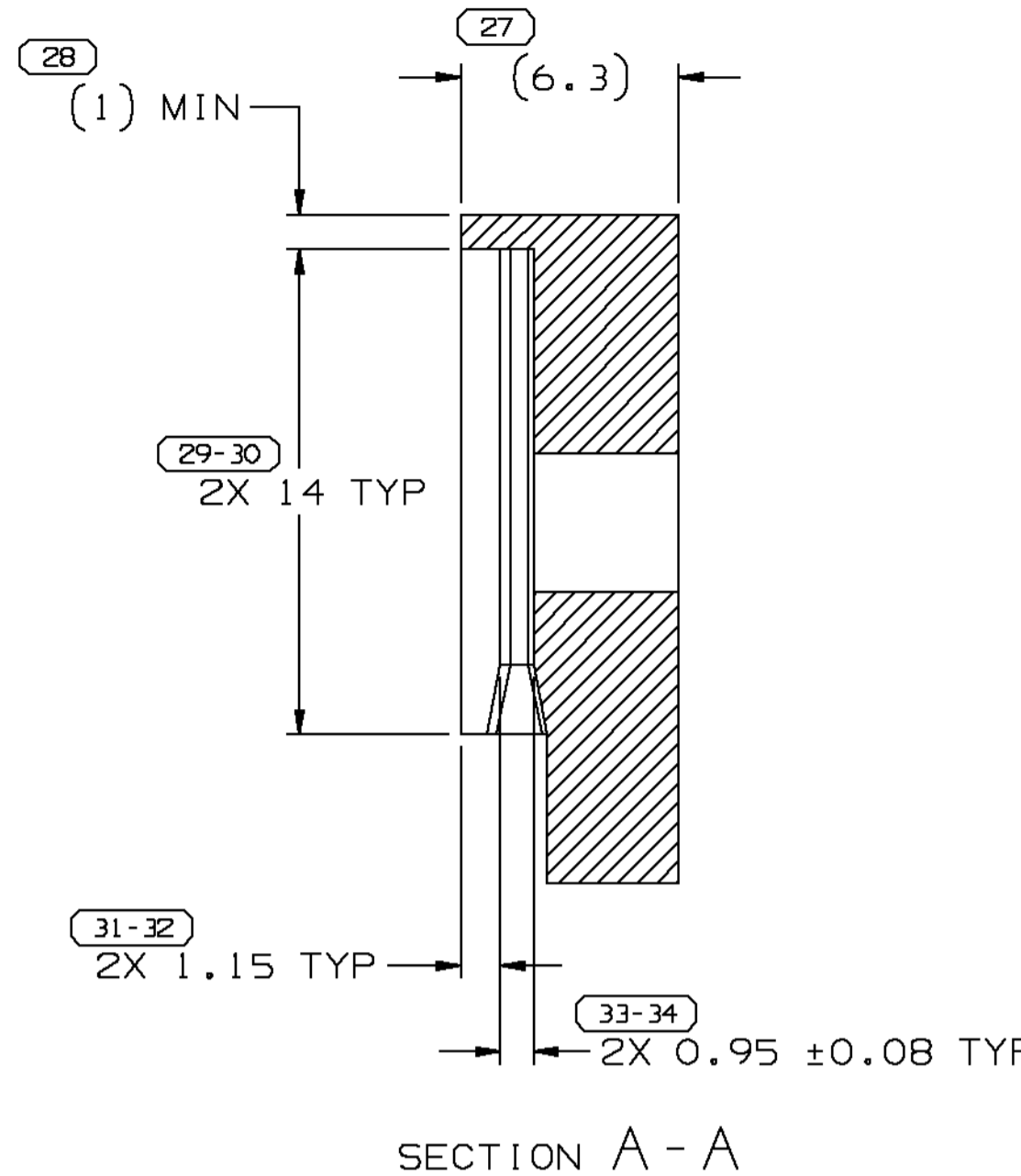


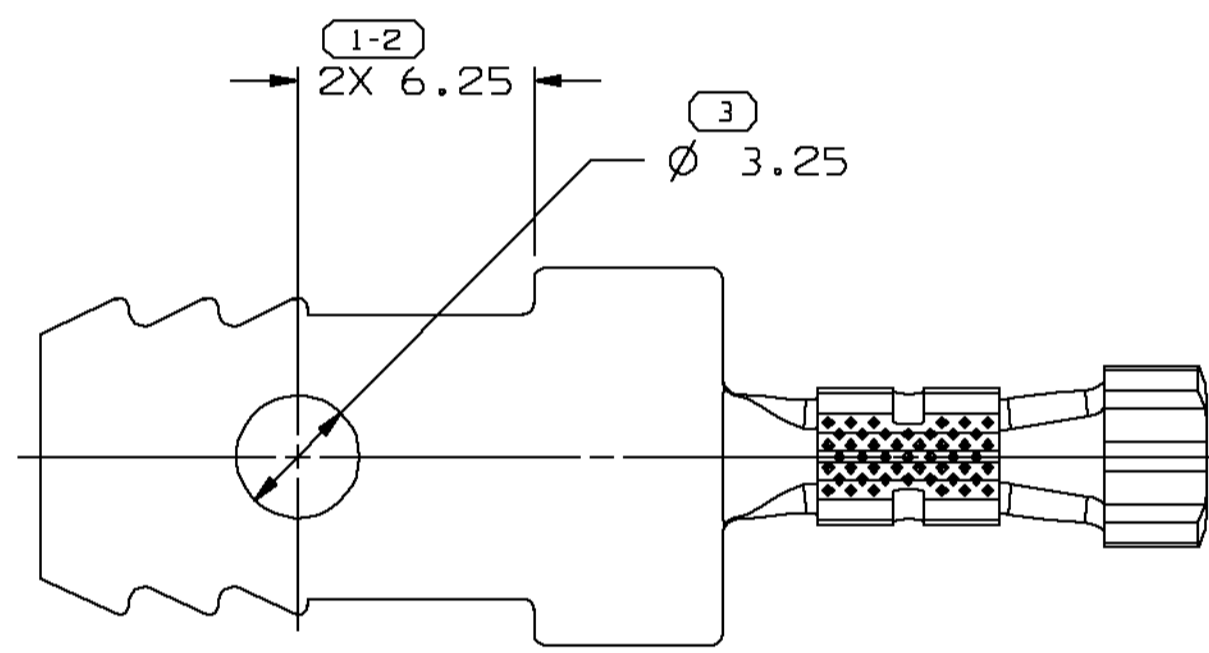
22 NO GATES OR PROTRUSIONS THESE SURFACES FOR DISTANCE SHOWN



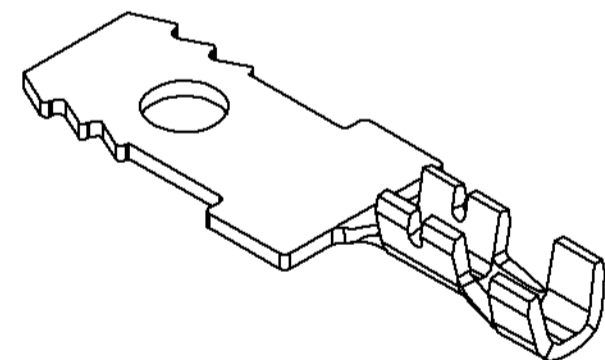
MATING INFORMATION
INSPECTION SYMBOLS SHOWN IN THESE VIEWS ARE FOR REFERENCE ONLY

SYMBOL DEFINITION		MISSING NUMBERS	
THE NUMBER INSIDE THE SYMBOL () CORRESPONDS TO THE NUMBER ON THE INSPECTION REPORT FOR THIS DRAWING/PART NUMBER	TOTAL NO. OF SYMBOLS ON DRAWING	29	
	LAST NO. USED	38	

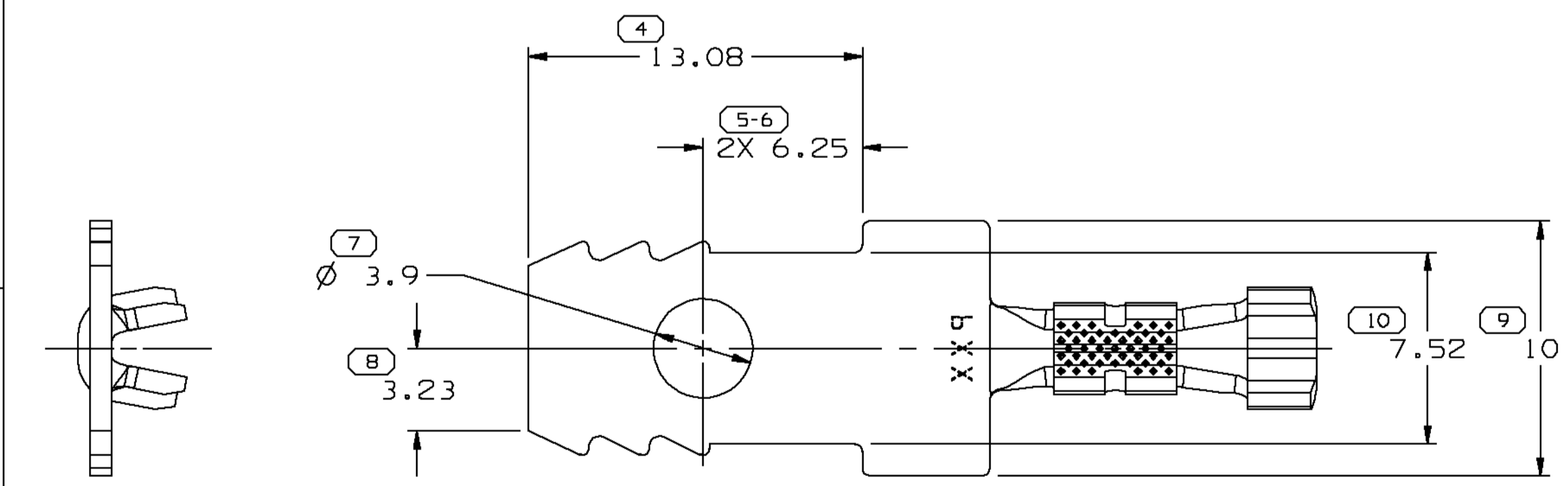
DWG STATUS				ZONE	REVISION HISTORY			AUTH	DR	CK	APVD	
DATE	STG	REV	CHG	N/P								
25JL00	R	001	-	-		ALL PARTS - RELEASED			000005	JHN	MVA	MB
05FE02	R	002	-	-		UPDATED PDM ATTRIBUTES			220745	TMR	TLP	MDB



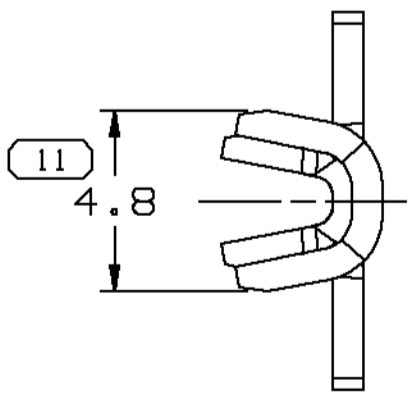
TYPE 102
SAME AS TYPE 101 EXCEPT AS SHOWN



VIEW SCALE DOES NOT REFLECT ACTUAL PART SIZE

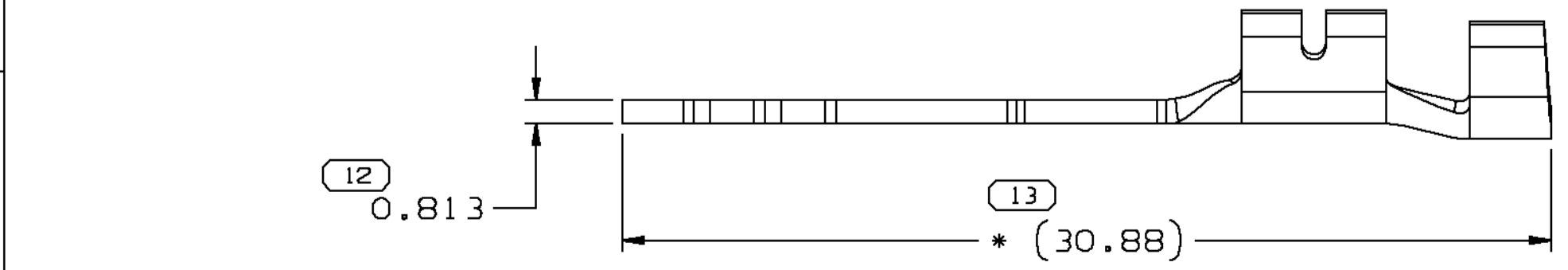


TYPE 101



NOTES

- UNLESS OTHERWISE SPECIFIED AND/OR INDICATED: DIMENSIONS ARE TO FACE OF VIEW SHOWN AND AUTOMATICALLY ROUNDED BY COMPUTER FOR INSPECTION (SEE MATH MODEL FOR PRECISE DIMENSIONS). FOR ALL OTHER DIMENSIONS NOT SHOWN BUT REQUIRED FOR TOOL BUILD, SEE MATH MODEL FOR PRECISE TOOL PATH DATA.
- "*" INDICATES DIMENSIONS MADE AT CUT-OFF AND CRIMP DIE.



DELPHI Automotive Systems			
MATERIAL SPEC SEE CHART		DIMENSIONAL RANGE (MM) CHART D FROM TO 0 > 12 TOLERANCE UNLESS OTHERWISE SPECIFIED +0.1 +0.2 ANGULAR TOLERANCE ± 2°	
PART DRAWING			
CODE NUMBER 6901	DWG DATE 25JL00	SCALE 5:1	D
QC SPEC	STYLE	VOLUME cm ³	
PART GEOMETRY 3D SOLID		UNLESS OTHERWISE SPECIFIED: THIS DOCUMENT IS IN ACCORDANCE WITH ASME Y14.5M - 1994 AS AMENDED BY THE GM GLOBAL DIMENSIONING AND TOLERANCING ADDENDUM - 1997. ALL GEOMETRIC TOLERANCES AND RELATED DATUMS APPLY RFS. RULE #1 (PERFECT FORM AT MMC) DOES NOT APPLY WHEN RELATIONSHIP BETWEEN FEATURES IS ESTABLISHED BY ORIENTATION OR LOCATION TOLERANCES. SEPARATE POSITION CALLOUTS MAY BE GAGED SEPARATELY REGARDLESS OF DATUM REFERENCES.	
COPY OF MATH DATA DO NOT SCALE		REFERENCE 001,701	DATE
METRIC UNLESS OTHERWISE SPECIFIED, ALL DIMENSIONS ARE IN MILLIMETERS		DR APVD1 JOSE HDEZ. NOV0A APVD2 MANUEL VEGA APVD3 MATTHEW BRUMBACH APVD4 APVD5	DATE 25JL00 26JL00 27JL00
THIRD ANGLE PROJECTION		DRAWING NAME TAXI TERM CLIP	
SHEET NUMBER 1 OF 1		DRAWING NUMBER 15394042	
DWG STATUS R 002		SIZE A1	

PART NO	STG	REV	N/P	STATUS	MAT'L SPEC	SIZE (MM ²)	DIA	TYPE
15394044	R	001	AA		PM001598 998 210 GILDING EX SPR SN PLTD	1 - 0.8	2.7	101
15394043	R	001	AA		PM001598 998 210 GILDING EX SPR SN PLTD	1 - 0.8	2.7	102

(10) PROCESS SENSITIVE DIMENSION
DIMENSIONS ENCLOSED IN () INDICATE REFERENCE DIMENSIONS AND NO TOLERANCE LIMITS ARE ESTABLISHED